



勝特力材料 886-3-5753170
 勝特力电子(上海) 86-21-54151736
 勝特力电子(深圳) 86-755-83298787
 Http://www.100y.com.tw

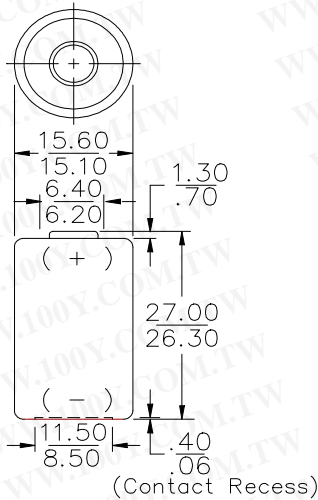
Eveready Battery Company, Inc.

Checkerboard Square
 St. Louis, MO 63164
 Telephone 1-800-383-7323
 Internet: www.energizer.com

Engineering Data

ENERGIZER NO. EL1CR2

Dimensions (mm)



THIS BATTERY HAS UNDERWRITERS LABORATORIES COMPONENT RECOGNITION



Millimeters	Inches
0.06	0.002
0.40	0.016
0.70	0.028
1.30	0.051
6.20	0.244
6.40	0.252
8.50	0.335
11.50	0.453
15.10	0.594
15.60	0.614
26.30	1.035
27.00	1.063

Chemical System: Lithium/Manganese Dioxide (Li/MnO₂)

Designation: IEC-CR15H270

Battery Voltage: 3 Volts

Average Weight: 11 grams (.4 oz.)

Volume: 5.2 cubic centimeters (.3 cubic inch)

Average Service Capacity (to 2.0 Volt): 800 mAh
(Rated Capacity at 100 ohms at 21°C)

Max. Reverse Charging Current: 3 microamperes
(Circuit to Limit Battery Charging Through Reverse Leakage Current)

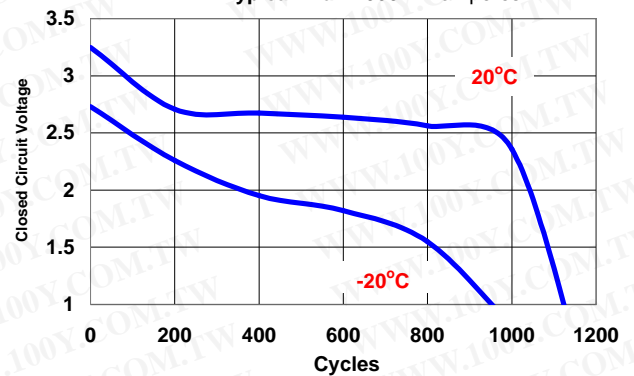
Maximum Continuous Discharge Current: 1000 continuous, 2500 pulse

Typical Discharge Characteristics

Test Description: Typical Point and Shoot Camera

Schedule: 3 sec ON / 27 sec OFF

Typical Drain: 900 milliamperes



This Battery Contains a Positive Temperature Coefficient (PTC) Device to Limit Current Flow

Simulated Application Tests

Estimated Average Service at 21°C (70°F)

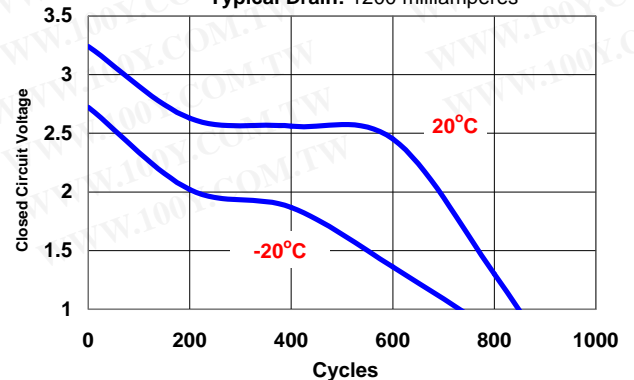
Schedule	Typical Drains (milliamperes)	Load (ohms)	Cutoff Voltage		
			2.0 V	1.55 V	1.3 V
			Hours	Cycles	
24 hours/ day	-	100	31.35	-	-
24 hours/ day	1000	-	0.37	-	-
3 sec on / 27sec off	1200	-	-	-	800
3 sec on / 27sec off	900	-	-	1942	-

Typical Discharge Characteristics

Test Description: Typical Flash Application

Schedule: 3 sec ON / 7 sec OFF

Typical Drain: 1200 milliamperes



Important Notice

This data sheet contains information specific to batteries manufactured at time of its publication. Please contact your Energizer representative for most current information. Contents herein do not constitute a warranty.