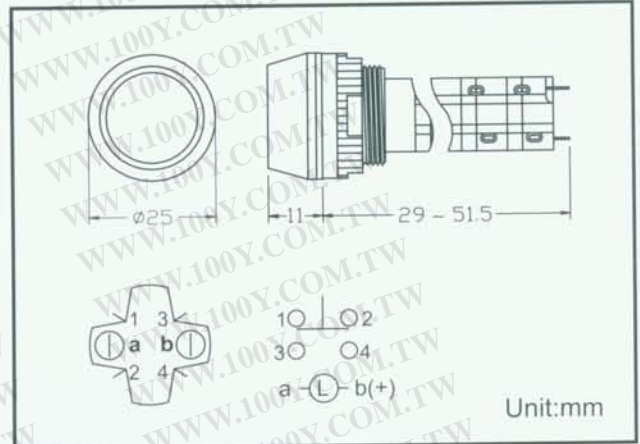


# Ø 22 SOLDERING TYPE ILLUMINATED SWITCHES & PUSHBUTTON SWITCHES

勝特力材料 886-3-5753170  
 勝特力电子(上海) 86-21-54151736  
 勝特力电子(深圳) 86-755-83298787  
 Http://www.100y.com.tw



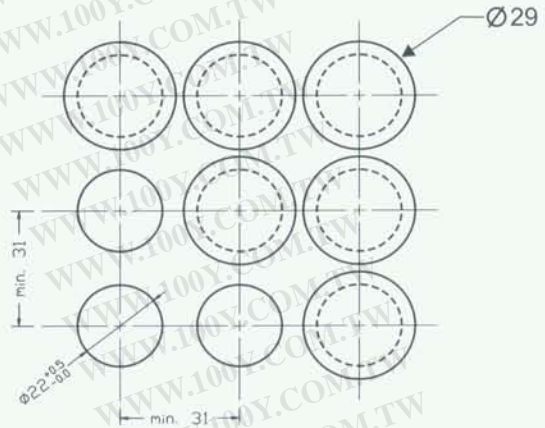
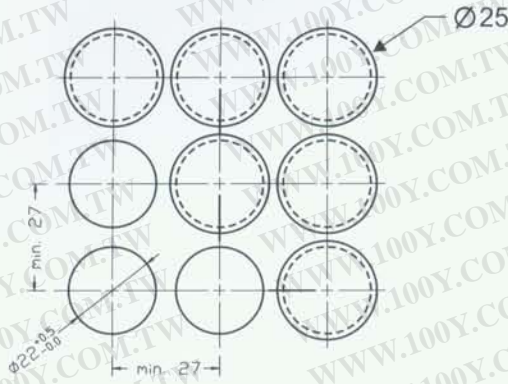
## D16 SOLDERING TYPE PUSHBUTTON SWITCHES

Description	Type	Contact block diagram (button not depressed)	Mounting Length	Model
Illuminated or non-illuminated pushbutton 1 pole momentary action	SPST		29	1ab
Illuminated or non-illuminated pushbutton 2 pole momentary action	DPST		36.5	2ab
Illuminated or non-illuminated pushbutton 3 pole momentary action	3PST		44	3ab
Illuminated or non-illuminated pushbutton 4 pole momentary action	4PST		51.5	4ab
Illuminated or non-illuminated pushbutton 1 pole alternate action	SPST		29	1ab
Illuminated or non-illuminated pushbutton 2 pole alternate action	DPST		36.5	2ab
Illuminated or non-illuminated pushbutton 3 pole alternate action	3PST		44	3ab
Illuminated or non-illuminated pushbutton 4 pole alternate action	4PST		51.5	4ab

Note:

As usual, silver contactors are commonly used. However, if it is used for small signal, we wish to recommend the use of gold plated contactors for which you are most welcome to contact with us for detailed specifications.

## Mounting dimensions (mm):



## Order Information:

Order No.:   **1**  **6**

### Series

D16: Soldering type & indicator  
 P16: Socket type

### Functions

LA: Illuminated pushbutton with alternate action  
 LM: Illuminated pushbutton with momentary action  
 PL: Pilot indicator

### Pushbutton head

U1:  $\phi$  29 mm plastic ring (Grey) - standard  
 U2:  $\phi$  29 mm metal ring - optional  
 V1:  $\phi$  25 mm plastic ring (Grey) - standard  
 V2:  $\phi$  25 mm metal ring - optional

### Order Example:

If you want to order a  $\phi$ 29mm illuminated pushbutton switch with a yellow color lens 6V DC 200mA lamp 3NO+3NC contacts, alternated action. It's order no. will be : **D16LAU1-3abAY**

If you want to order a  $\phi$ 25mm pilot indicator with a red color lens 28V DC 40mA lamp.  
 It's order no. will be : **D16PLV1-000CR**

### Contact Arrage

000: Non contact  
 1ab: 1NO+1NC  
 2ab: 2NO+2NC  
 3ab: 3NO+3NC  
 4ab: 4NO+4NC

### Lamp & Voltage

0: Without lamp  
 A: Lamp 6V AC/DC 200mA  
 B: Lamp 14V AC/DC 80mA  
 C: Lamp 28V AC/DC 40mA  
 F: Neon 110V AC G/R  
 G: Neon 220V AC G/R  
 H: LED 6V DC G/Y/R  
 J: LED 12V DC G/Y/R  
 K: LED 24V DC G/Y/R

### Len Color

B: Blue G: Green  
 O: Orange R: Red  
 W: White Y: Yellow

## D16 Soldering Type



- **Specifications :**
- Switch system : each contact block has one double break snap action switching mechanism.
- Switch mode : momentary or alternate action, 1-4 poles.
- Contact material : soldering type - silver is standard; socket type - pin with golden plating.
- Body material : high-grade temperature thermoplastic. Contact housing moulded in electrical high-grade thermosetting plastic.
- Operating travel : 3.0 mm.
- Actuating force : 2-5N depending on no. of contact block.
- Mechanical lifetime : > 2 million operations.
- Electric rating : 250V AC 5A, 125V AC 8A, 250V DC 0.2A, 24V DC 6A

勝特力材料 886-3-5753170

勝特力电子(上海) 86-21-54151736

勝特力电子(深圳) 86-755-83298787

[Http://www.100y.com.tw](http://www.100y.com.tw)