

勝特力材料 886-3-5753170
 勝特力电子(上海) 86-21-54151736
 勝特力电子(深圳) 86-755-83298787
[Http://www.100y.com.tw](http://www.100y.com.tw)

9999

- DE-S944A** AC V/A Meter (4-sets)
- DE-S944D** DC V/A Meter (4-sets)
- DE-S942A** AC V/A Meter (2-sets)
- DE-S942D** DC V/A Meter (2-sets)

Features

- Relay Output Delay 0~9sec.
- 4 - sets HH, HI, LO, LL (DE-S944)
- 2 - sets HI, LO (DE-S942)
- True RMS V/A
- CT or PT Rate Free Setting
- Direct Setting Function
- DIN Case 96 × 48mm

Specifications

- Display** : 0.4" height red LED
0.3" height green LED
- Max. Display** : 4 digits (9999)
- Polarity Display** : "—"symbol is displayed automatically
- Over Range Indication** : " 0L "
- Conversion Rate** : 2.5/sec. (DC) or 1/sec. (AC)
- Decimal Point** : Settable to any digit position by front sheet switch
- External Control** : Hold
- Accuracy (23 ± 5°C)** : ± 0.1% F.S. ± 2 digits
- Operating Temp. / Humidity** : 0~50°C / Below 80% R.H.
(No Condensation)
- Storage Temp. / Humidity** : -10~60°C / Below 70% R.H.
(No Condensation)
- Power Supply** : AC 115/230V ± 10%, 50/60Hz
DC 12, 24, 48, 120V ± 20%
- Power Consumption** : Approx. 5VA
- Weight** : Approx. 420g
- Dielectric Strength** : Isolation between input & output
AC 1500V/1min
- Insulation Resistance** : More than 100MΩ between terminals at 500V DC
- Dimension** : 96(W) × 48(H) × 144(D)mm
- Panel Cut-Out** : 91.5(W) × 44(H)mm

Comparison Section

- Control System** : Microcomputer
- Range** : -9999 ~ +9999
- Relay Contact Capacity** : AC 250V, 1A resistive load
DC 30V, 2A resistive load

Comparative Condition :

- Model : DE-S944
- Indication > HH set point → HH LED on .
- HH set point ≥ Indication > HI set point → HI LED on .
- HI set point ≥ Indication > LO set point → GO LED on .
- LO set point ≥ Indication > LL set point → LO LED on .
- LL set point ≥ Indication → LL LED on .
- Model : DE-S942
- Indication > HI set point → HI LED on .
- HI set point ≥ Indication > LO set point → GO LED on .
- LO set point > Indication → LO LED on .

Voltage Measurement

Order Code	Range	Input Impedance	Input Protection	Display Adjustable
V1	0~ 999.9mV	1MΩ	300V	Offset ± 9999 Fullscale ± 9999
V2	0~ 9.999V	1MΩ	300V	
V3	0~ 99.99V	1MΩ	300V	
V4	0~ 600.0V	1MΩ	600V	

Current Measurement

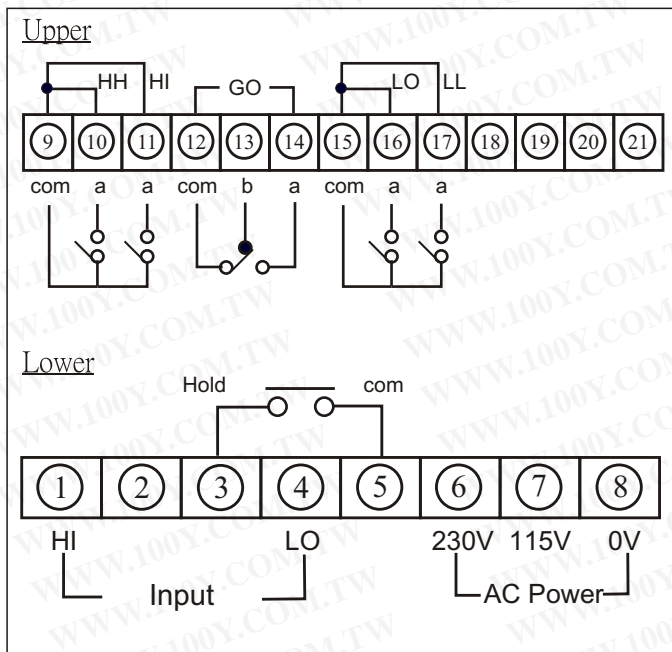
Order Code	Range	Input Impedance	Input Protection	Display Adjustable
A1	0~999.9uA	100Ω	50mA	Offset ± 9999 Fullscale ± 9999
A2	0~9.999mA	10Ω	150mA	
A3	0~99.99mA	1Ω	500mA	
A4	0~999.9mA	0.1Ω	3A	
A5	0~5.000A	0.01Ω	10A	
A6	0~10.00A	0.01Ω	15A	

Analog Input Measurement

Order Code	Range	Input Impedance	Input Protection	Display Adjustable
11	DC 1~5V	1MΩ	± 300V	Offset ± 9999 Fullscale ± 9999
12	DC 0~10V			
13	DC 0~50mV			
14	DC 0~60mV			
21	DC 4~20mA			

■ Connection Diagram

Model : DE-S944A, DE-S944D



■ Order Code

DE-S944A

DE-S944A

DE-S942A

DE-S942A

Range

V1~V4

A1~A6

11~14

21

00 : Option

Power Supply

1 : AC 115/230V \pm 10%, 50/60Hz

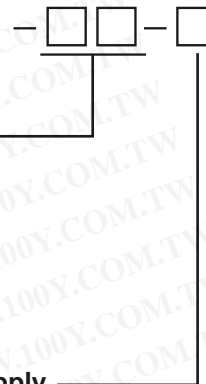
Y : Option (DC 12, 24, 48, 120V \pm 20%)

Code Number

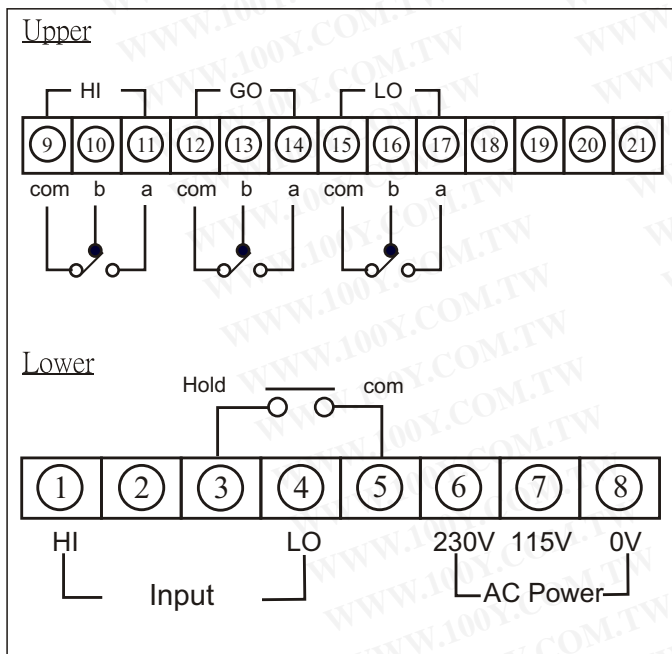
Example : DE - S944A - A5 - 1

Measurement : AC 0~5.000A

Power Supply : AC 115/230V \pm 10%



Model : DE-S942A, DE-S942D



■ Dimension

