

**DYNACAP – Double Layer Capacitor**

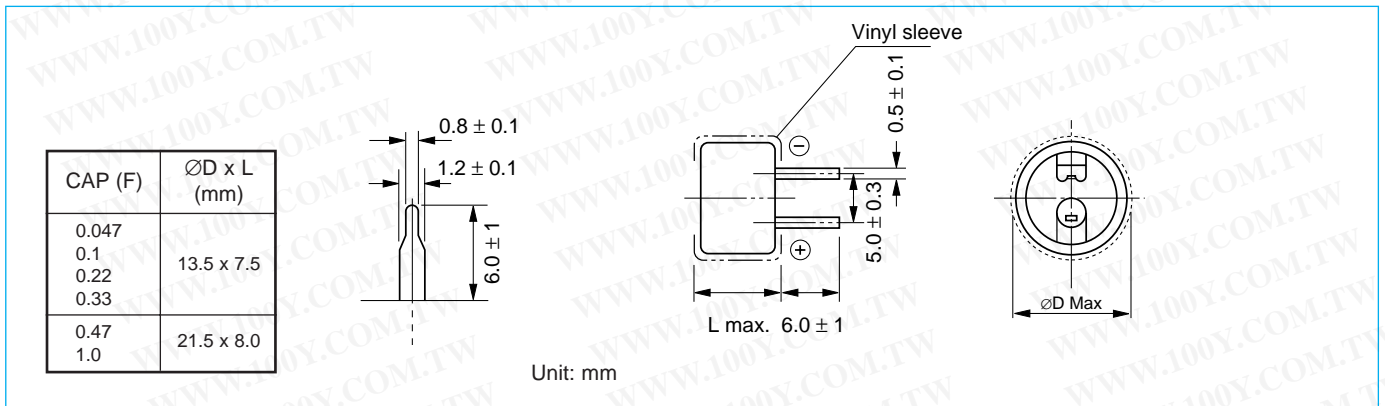
勝特力材料 886-3-5753170  
 勝特力电子(上海) 86-21-54151736  
 勝特力电子(深圳) 86-755-83298787  
 Http://www.100y.com.tw

**DB Series**

Has a total withstand voltage rating of 5.5V. Utilizing ELNA's unique flat spring technology, which enhances the reliability of the internal coin cells, this series is ideal for a wide range of applications from consumer appliances to sophisticated instrumentation.



**Construction and Dimensions**



Specifications	Performance														
Temperature range (°C)	-25 to +70														
Capacitance tolerance (%)	-20 to +80														
Internal resistance at 1KHz	<table border="1" style="width: 100%;"> <thead> <tr> <th>Capacitance (F)</th> <th>0.047</th> <th>0.1</th> <th>0.22</th> <th>0.33</th> <th>0.47</th> <th>1.0</th> </tr> </thead> <tbody> <tr> <td>Internal resistance (Ω)</td> <td>120</td> <td>75</td> <td>75</td> <td>75</td> <td>30</td> <td>30</td> </tr> </tbody> </table>	Capacitance (F)	0.047	0.1	0.22	0.33	0.47	1.0	Internal resistance (Ω)	120	75	75	75	30	30
	Capacitance (F)	0.047	0.1	0.22	0.33	0.47	1.0								
Internal resistance (Ω)	120	75	75	75	30	30									
Stability at low & high temperature	<table border="1" style="width: 100%;"> <tbody> <tr> <td>Change in capacitance</td> <td>Within ±30% of value at 20°C</td> </tr> <tr> <td>Internal resistance</td> <td>Less than five times of the value at 20°C</td> </tr> </tbody> </table>	Change in capacitance	Within ±30% of value at 20°C	Internal resistance	Less than five times of the value at 20°C										
	Change in capacitance	Within ±30% of value at 20°C													
Internal resistance	Less than five times of the value at 20°C														
Endurance (70°C)	<table border="1" style="width: 100%;"> <tbody> <tr> <td>Test time</td> <td>1000 hrs</td> </tr> <tr> <td>Change in capacitance</td> <td>Within ±30% of the initial measured value</td> </tr> <tr> <td>Internal resistance</td> <td>Within four times the initial specified value</td> </tr> </tbody> </table>	Test time	1000 hrs	Change in capacitance	Within ±30% of the initial measured value	Internal resistance	Within four times the initial specified value								
	Test time	1000 hrs													
	Change in capacitance	Within ±30% of the initial measured value													
Internal resistance	Within four times the initial specified value														
Max. storage temp. (70°C)	Test time 1000hrs. Same as Endurance														

**Standard Ratings**

ELNA Part No.	Rated Volt (V)	Capacitance (F)	Internal Resistance (Ω)
DB-5R5D473	5.5	0.047	≤120
DB-5R5D104	5.5	0.1	≤75
DB-5R5D224	5.5	0.22	≤75
DB-5R5D334	5.5	0.33	≤75
DB-5R5D474	5.5	0.47	≤30
DB-5R5D105	5.5	1.0	≤30