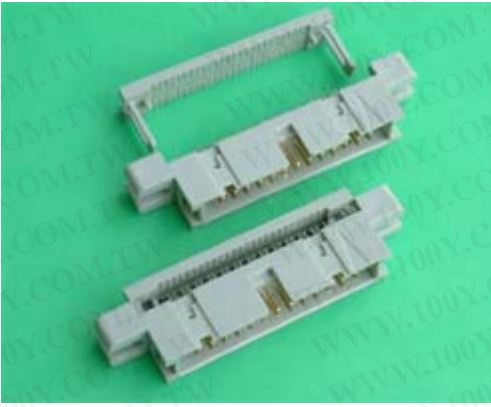


**I.D.C PLUG WITH EJECTORS 2.54mm(0.100")/簡易牛角壓排**



**Features:**

- \* Fully shrouded provides ultimate reliability,
- \* With polarization.
- \* Mounting ears optional,

**Mates with:** 101 102 104 520 **Material:**

Housing: 30% Glass filled PBT UL94V-0

Contacts: Brass

Plating: Selective gold plated: gold plated on mating area and nickel plated on wire

Cutting area

Cable: 1.27mm (0.050") pitch flat cable

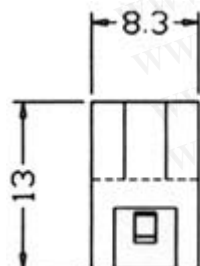
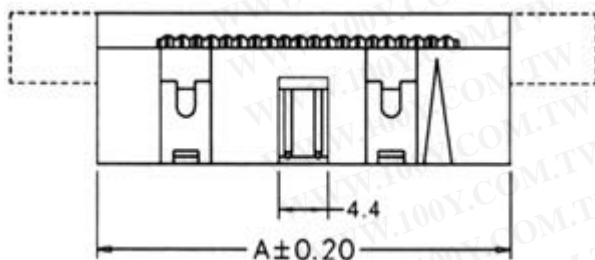
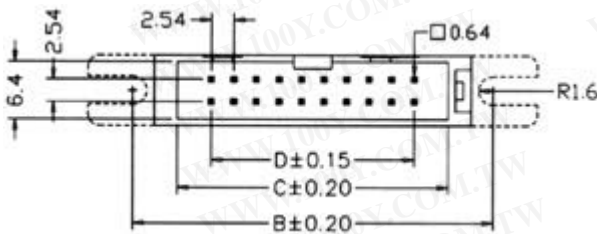
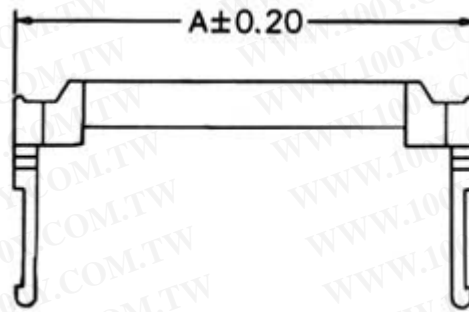
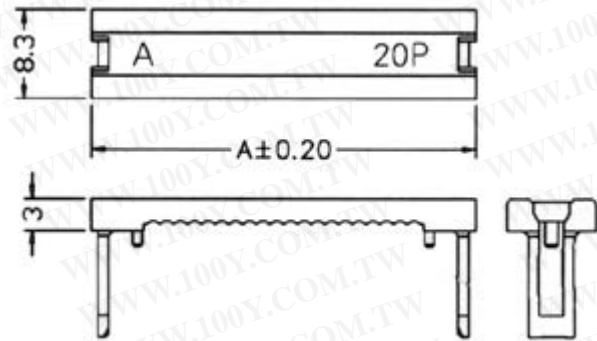
**Electrical Characteristics:**

Current Rating: 1 AMP Insulator Resistance: 5000MΩmin. at DC 500V

Contact Resistance: 20mΩmax. at DC 100mA

Operating Temperature: -55°C~+105°C

**勝特力材料 886-3-5753170**  
**勝特力电子(上海) 86-21-54151736**  
**勝特力电子(深圳) 86-755-83298787**  
[Http://www.100y.com.tw](http://www.100y.com.tw)



Position	A	B	C	D
10	22.98	27.94	17.93	10.16
14	28.10	33.02	22.93	15.24
16	30.64	35.56	25.55	17.78
20	35.70	40.64	30.56	22.86
26	43.06	48.26	38.20	30.48
30	48.44	53.34	43.40	35.56
34	53.38	58.42	48.30	40.64
40	60.96	66.04	56.06	48.26
50	73.72	78.74	68.70	60.96
60	86.44	91.44	81.34	73.66
64	91.46	96.52	86.43	78.74