

勝特力材料 886-3-5753170
 勝特力电子(上海) 86-21-54151736
 勝特力电子(深圳) 86-755-83298787
 Http://www.100y.com.tw

- Cost Effective
- Industry Standard Package
- AC or DC Control
- Panel Mount
- Normally Closed (Form B)
Available (-B Suffix)

Bipolar transistor outputs are available in 3, 5 and 7 amp ratings. Cost-effective relays offer 4000 Volt isolation and come in Crydom's standard panel-mount package.
 Manufactured in Crydom's ISO 9001 Certified facility for optimum product performance and reliability.

MODEL NUMBERS	DC CONTROL						AC CONTROL					
	DC60S3	DC60S3-B	DC60S5	DC60S5-B	DC60S7	DC60S7-B	DC60SA3	DC60SA3-B	DC60SA5	DC60SA5-B	DC60SA7	DC60SA7-B
OUTPUT SPECIFICATIONS ①												
Operating Voltage Range [Vdc]	3-60	3-60	3-60	3-60	3-60	3-60	3-60	3-60	3-60	3-60	3-60	3-60
Load Current Range ② [Adc]	.02-3	.02-3	.02-5	.02-5	.02-7	.02-7	.02-3	.02-3	.02-5	.02-5	.02-7	.02-7
Max. Surge Current, (1 sec) [Adc]	6	6	10	10	14	14	6	6	10	10	14	14
Max. On-State Voltage Drop @ Rated Current [Vdc]	1.3	1.3	1.5	1.5	1.7	1.7	1.3	1.3	1.5	1.5	1.7	1.7
Thermal Resistance Junction to Case (R _{qJC}) [°C/W]	2.2	2.2	2.2	2.2	2.2	2.2	2.2	2.2	2.2	2.2	2.2	2.2
Max. Off-State Leakage Current @ Rated Voltage [mA]	0.1	0.3	0.1	0.3	0.1	0.3	0.1	0.3	0.1	0.3	0.1	0.3
Max. Turn-On Time [msec]	0.1	0.3	0.1	0.3	0.1	0.3	10	40	10	40	10	40
Max. Turn-Off Time [msec]	0.3	0.1	0.3	0.1	0.3	0.1	40	10	40	10	40	10

INPUT SPECIFICATIONS	DC CONTROL		AC CONTROL	
	Normally Open	Normally Closed (-B)	Normally Open	Normally Closed (-B)
Configuration	Normally Open	Normally Closed (-B)	Normally Open	Normally Closed (-B)
Control Voltage Range	3.5-32 Vdc	3.5-32 Vdc	90-280 Vrms	90-280 Vrms
Max. Turn-On Voltage	3.5 Vdc	1.0 Vdc	90 Vrms	10 Vrms
Min. Turn-Off Voltage	1.0 Vdc	3.5 Vdc	10 Vrms	90 Vrms
Nominal Input Impedence	1500 Ohms	1500 Ohms	60K Ohms	60K Ohms
Typical Input Current	2.2mA @ 5 Vdc	2.2mA @ 5 Vdc	2mA @ 120 Vrms, 4mA @ 240 Vrms	2mA @ 120 Vrms, 4mA @ 240 Vrms

GENERAL NOTES

- ① All parameters at 25°C unless otherwise specified.
 ② Heat sinking required, for derating curves see page 2.

©2006 CRYDOM CORP, Specifications subject to change without notice.

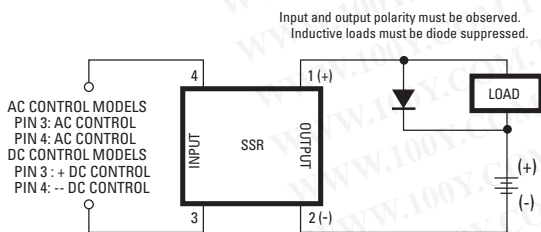
勝特力材料 886-3-5753170
 勝特力电子(上海) 86-21-54151736
 勝特力电子(深圳) 86-755-83298787
[Http://www.100y.com.tw](http://www.100y.com.tw)

GENERAL SPECIFICATIONS

Dielectric Strength 50/60Hz (input/output/base)	4000 Vrms
Insulation Resistance (Min.) @ 500 Vdc	10 ⁹ Ohm
Max. Capacitance Input/Output	8 pF
Ambient Operating Temperature Range	-30 to 80°C
Ambient Storage Temperature Range	-30 to 125°C

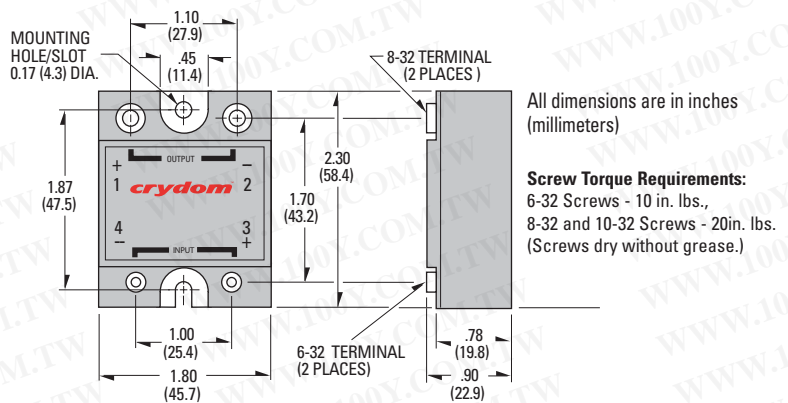
MECHANICAL SPECIFICATIONS

Weight: (typical)	3.0 oz. (86.5g)
Encapsulation:	Thermally Conductive Epoxy
Terminals:	Screws and Saddle Clamps Furnished, Unmounted

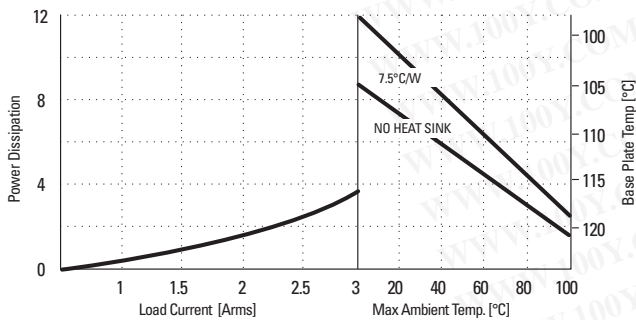


Transient Protection

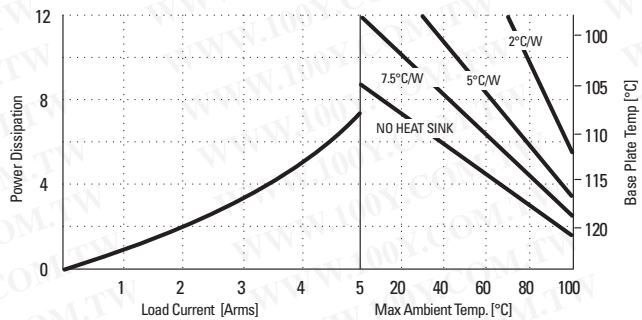
All loads are inductive, even ones that are not so labeled. An inductive load will produce harmful transient voltages when it is turned off. Diodes should be fast recovery type with PIV rated greater than supply voltage.



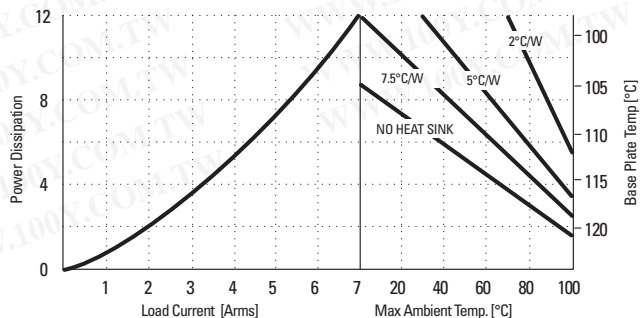
3A CURRENT DERATING CURVES



5A



7A



Crydom Heat Sinks offer excellent thermal management and are perfectly matched to the load current ratings of Crydom panel mount relays. Request Crydom's Heat Sink specification sheet for all the details.

© 2006 CRYDOM CORP, Specifications subject to change without notice.