



勝特力材料 886-3-5753170
 勝特力电子(上海) 86-21-54151736
 勝特力电子(深圳) 86-755-83298787
 Http://www.100y.com.tw

CY62256

32Kx8 Static RAM

Features

- 4.5V–5.5V Operation
- Low active power (70 ns, LL version)
— 275 mW (max.)
- Low standby power (70 ns, LL version)
— 28 μW (max.)
- 55, 70 ns access time
- Easy memory expansion with CE and OE features
- TTL-compatible inputs and outputs
- Automatic power-down when deselected
- CMOS for optimum speed/power

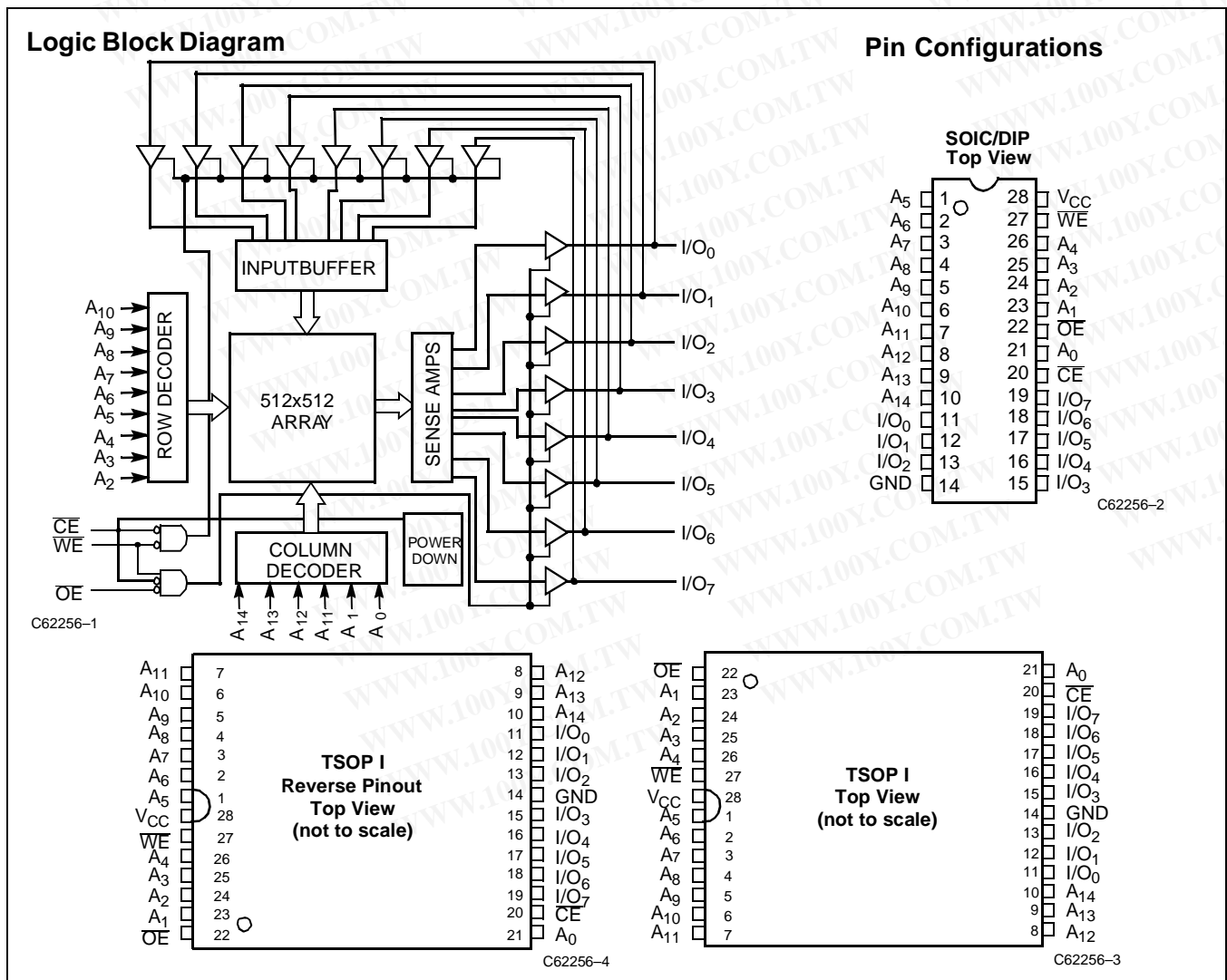
Functional Description

The CY62256 is a high-performance CMOS static RAM organized as 32,768 words by 8 bits. Easy memory expansion is provided by an active LOW chip enable (\overline{CE}) and active LOW

output enable (\overline{OE}) and three-state drivers. This device has an automatic power-down feature, reducing the power consumption by 99.9% when deselected. The CY62256 is in the standard 450-mil-wide (300-mil body width) SOIC, TSOP, and 600-mil PDIP packages.

An active LOW write enable signal (\overline{WE}) controls the writing/reading operation of the memory. When \overline{CE} and \overline{WE} inputs are both LOW, data on the eight data input/output pins (I/O_0 through I/O_7) is written into the memory location addressed by the address present on the address pins (A_0 through A_{14}). Reading the device is accomplished by selecting the device and enabling the outputs, \overline{CE} and \overline{OE} active LOW, while \overline{WE} remains inactive or HIGH. Under these conditions, the contents of the location addressed by the information on address pins are present on the eight data input/output pins.

The input/output pins remain in a high-impedance state unless the chip is selected, outputs are enabled, and write enable (\overline{WE}) is HIGH.





Maximum Ratings

(Above which the useful life may be impaired. For user guidelines, not tested.)

Storage Temperature	-65°C to +150°C
Ambient Temperature with Power Applied.....	0°C to +70°C
Supply Voltage to Ground Potential (Pin 28 to Pin 14).....	-0.5V to +7.0V
DC Voltage Applied to Outputs in High Z State ^[1]	-0.5V to V _{CC} + 0.5V
DC Input Voltage ^[1]	-0.5V to V _{CC} + 0.5V

Output Current into Outputs (LOW).....	20 mA
Static Discharge Voltage	>2001V (per MIL-STD-883, Method 3015)
Latch-Up Current.....	>200 mA

Operating Range

Range	Ambient Temperature	V _{CC}
Commercial	0°C to +70°C	5V ± 10%
Industrial	-40°C to +85°C	5V ± 10%

Electrical Characteristics Over the Operating Range

Parameter	Description	Test Conditions	CY62256-55			CY62256-70			Unit
			Min.	Typ ^[2]	Max.	Min.	Typ ^[2]	Max.	
V _{OH}	Output HIGH Voltage	V _{CC} = Min., I _{OH} = -1.0 mA	2.4			2.4			V
V _{OL}	Output LOW Voltage	V _{CC} = Min., I _{OL} = 2.1 mA			0.4			0.4	V
V _{IH}	Input HIGH Voltage		2.2		V _{CC} + 0.5V	2.2		V _{CC} + 0.5V	V
V _{IL}	Input LOW Voltage		-0.5		0.8	-0.5		0.8	V
I _{IX}	Input Load Current	GND ≤ V _I ≤ V _{CC}	-0.5		+0.5	-0.5		+0.5	μA
I _{OZ}	Output Leakage Current	GND ≤ V _O ≤ V _{CC} , Output Disabled	-0.5		+0.5	-0.5		+0.5	μA
I _{CC}	V _{CC} Operating Supply Current	V _{CC} = Max., I _{OUT} = 0 mA, f = f _{MAX} = 1/t _{RC}		28	55		28	55	mA
			L	25	50		25	50	mA
			LL	25	50		25	50	mA
I _{SB1}	Automatic CE Power-Down Current—TTL Inputs	Max. V _{CC} , $\overline{CE} \geq V_{IH}$, V _{IN} ≥ V _{IH} or V _{IN} ≤ V _{IL} , f = f _{MAX}		0.5	2		0.5	2	mA
			L	0.4	0.6		0.4	0.6	mA
			LL	0.3	0.5		0.3	0.5	mA
I _{SB2}	Automatic CE Power-Down Current—CMOS Inputs	Max. V _{CC} , $\overline{CE} \geq V_{CC} - 0.3V$, V _{IN} ≥ V _{CC} - 0.3V or V _{IN} ≤ 0.3V, f = 0		1	5		1	5	mA
			L	2	50		2	50	μA
			LL	0.1	5		0.1	5	μA
			Indust'l Temp Range	LL	0.1	10		0.1	10

Shaded area contains preliminary information.

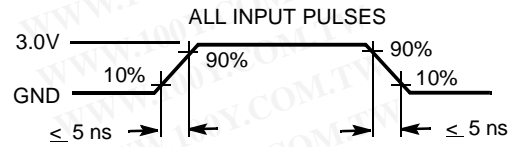
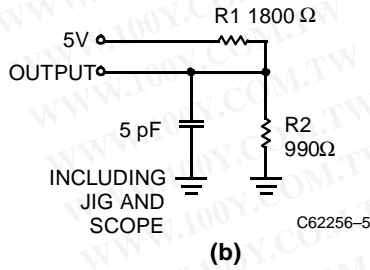
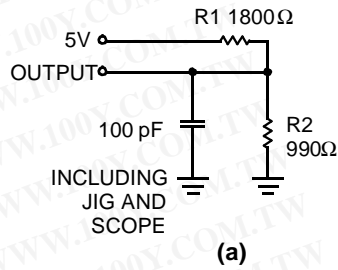
Capacitance^[3]

Parameter	Description	Test Conditions	Max.	Unit
C _{IN}	Input Capacitance	T _A = 25°C, f = 1 MHz,	6	pF
C _{OUT}	Output Capacitance	V _{CC} = 5.0V		

Note:

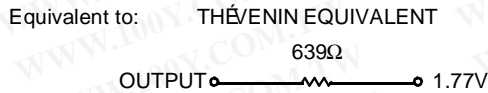
- V_{IL} (min.) = -2.0V for pulse durations of less than 20 ns.
- Typical specifications are the mean values measured over a large sample size across normal production process variations and are taken at nominal conditions (T_A = 25°C, V_{CC}). Parameters are guaranteed by design and characterization, and not 100% tested.
- Tested initially and after any design or process changes that may affect these parameters.

AC Test Loads and Waveforms



C62256-5

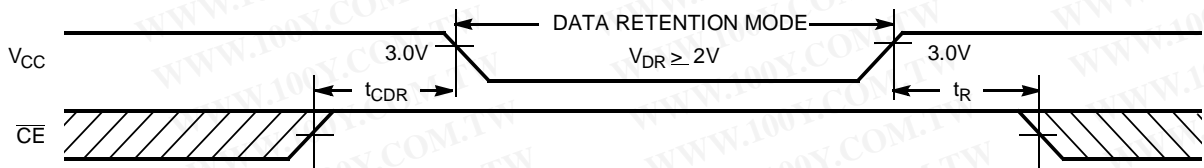
C62256-6



Data Retention Characteristics

Parameter	Description	Conditions ^[4]	Min.	Typ. ^[2]	Max.	Unit	
V_{DR}	V_{CC} for Data Retention	$V_{CC} = 3.0V$, $CE \geq V_{CC} - 0.3V$, $V_{IN} \geq V_{CC} - 0.3V$ or $V_{IN} \leq 0.3V$	2.0			V	
I_{CCDR}	Data Retention Current		L		2	50	μA
			LL		0.1	5	μA
			LL Indust'l		0.1	10	μA
$t_{CDR}^{[3]}$	Chip Deselect to Data Retention Time		0			ns	
$t_R^{[3]}$	Operation Recovery Time		t_{RC}			ns	

Data Retention Waveform



C62256-7

Note:

 4. No input may exceed $V_{CC} + 0.5V$.



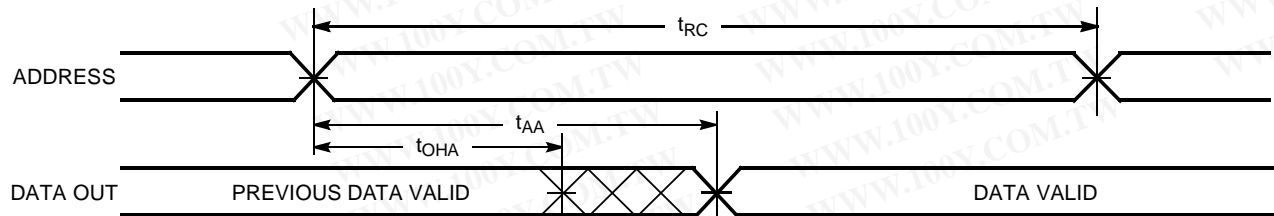
Switching Characteristics Over the Operating Range^[5]

Parameter	Description	CY62256-55		CY62256-70		Unit
		Min.	Max.	Min.	Max.	
READ CYCLE						
t _{RC}	Read Cycle Time	55		70		ns
t _{AA}	Address to Data Valid		55		70	ns
t _{OHA}	Data Hold from Address Change	5		5		ns
t _{ACE}	\overline{CE} LOW to Data Valid		55		70	ns
t _{DOE}	\overline{OE} LOW to Data Valid		25		35	ns
t _{LZOE}	\overline{OE} LOW to Low Z ^[6]	5		5		ns
t _{HZOE}	\overline{OE} HIGH to High Z ^[6, 7]		20		25	ns
t _{LZCE}	\overline{CE} LOW to Low Z ^[6]	5		5		ns
t _{HZCE}	\overline{CE} HIGH to High Z ^[6, 7]		20		25	ns
t _{PU}	\overline{CE} LOW to Power-Up	0		0		ns
t _{PD}	\overline{CE} HIGH to Power-Down		55		70	ns
WRITE CYCLE ^[8, 9]						
t _{WC}	Write Cycle Time	55		70		ns
t _{SCE}	\overline{CE} LOW to Write End	45		60		ns
t _{AW}	Address Set-Up to Write End	45		60		ns
t _{HA}	Address Hold from Write End	0		0		ns
t _{SA}	Address Set-Up to Write Start	0		0		ns
t _{PWE}	\overline{WE} Pulse Width	40		50		ns
t _{SD}	Data Set-Up to Write End	25		30		ns
t _{HD}	Data Hold from Write End	0		0		ns
t _{HZWE}	\overline{WE} LOW to High Z ^[6, 7]		20		25	ns
t _{LZWE}	\overline{WE} HIGH to Low Z ^[6]	5		5		ns

Shaded area contains preliminary information.

Switching Waveforms

Read Cycle No. 1^[10,11]

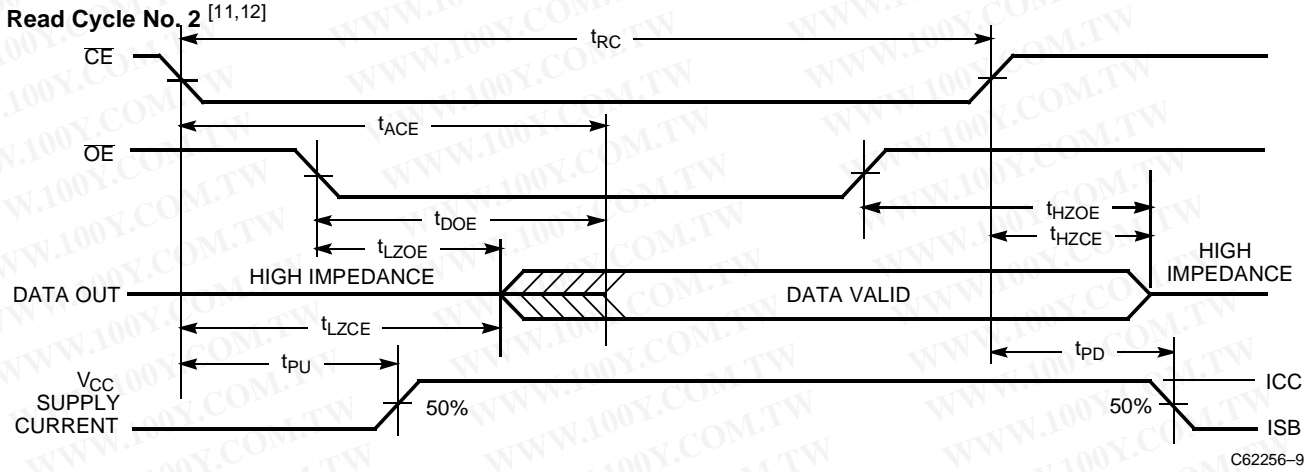


C62256-8

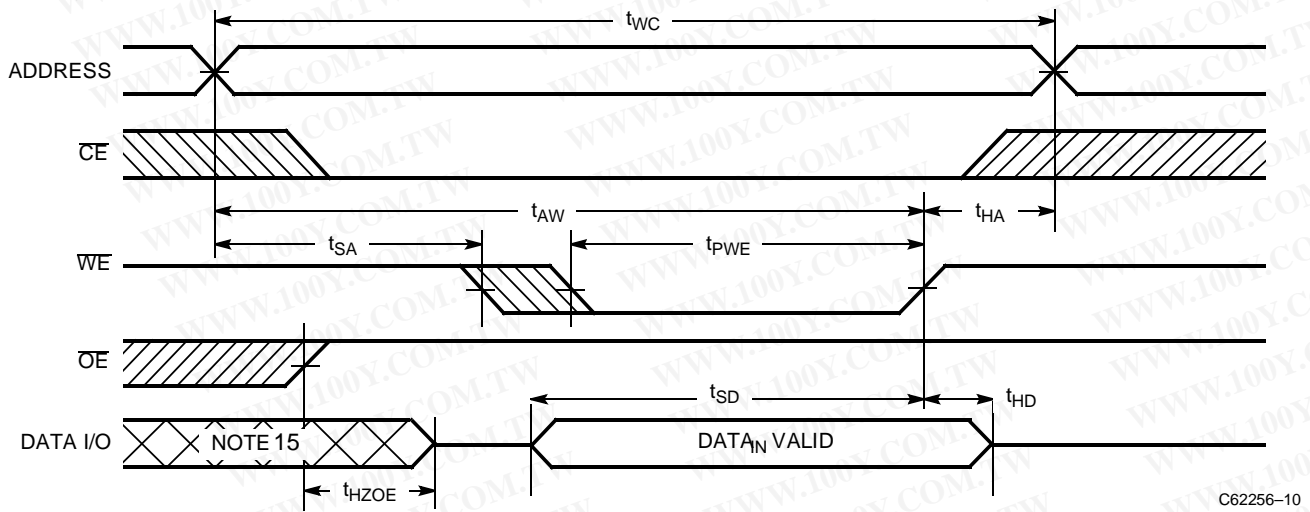
Notes:

5. Test conditions assume signal transition time of 5 ns or less, timing reference levels of 1.5V, input pulse levels of 0 to 3.0V, and output loading of the specified I_{OL}/I_{OH} and 100-pF load capacitance.
6. At any given temperature and voltage condition, t_{HZCE} is less than t_{LZCE}, t_{HZOE} is less than t_{LZOE}, and t_{HZWE} is less than t_{LZWE} for any given device.
7. t_{HZOE}, t_{HZCE}, and t_{HZWE} are specified with C_L = 5 pF as in part (b) of AC Test Loads. Transition is measured ±500 mV from steady-state voltage.
8. The internal write time of the memory is defined by the overlap of \overline{CE} LOW and \overline{WE} LOW. Both signals must be LOW to initiate a write and either signal can terminate a write by going HIGH. The data input set-up and hold timing should be referenced to the rising edge of the signal that terminates the write.
9. The minimum write cycle time for write cycle #3 (\overline{WE} controlled, \overline{OE} LOW) is the sum of t_{HZWE} and t_{SD}.
10. Device is continuously selected. \overline{OE} , \overline{CE} = V_{IL}.
11. \overline{WE} is HIGH for read cycle.

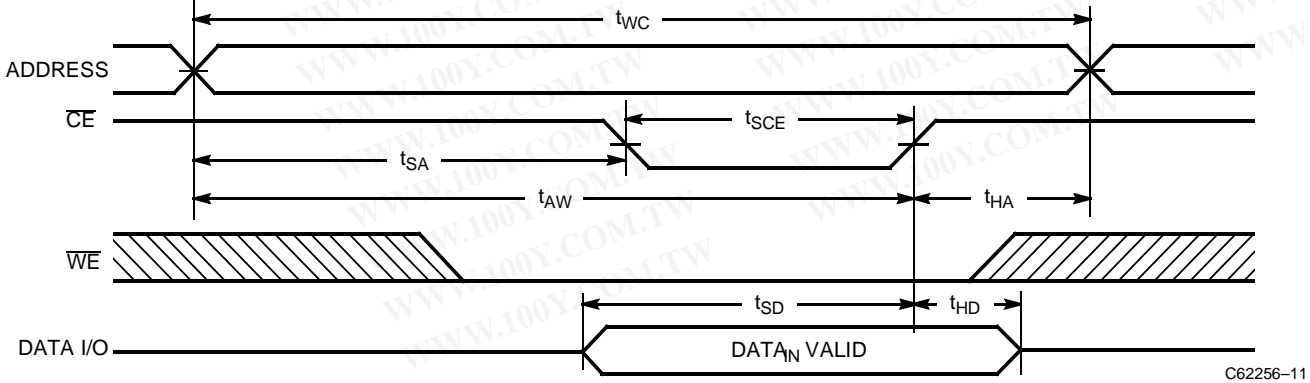
Switching Waveforms (continued)



Write Cycle No. 1 (WE Controlled) [8,13,14]



Write Cycle No. 2 (CE Controlled) [8,13,14]

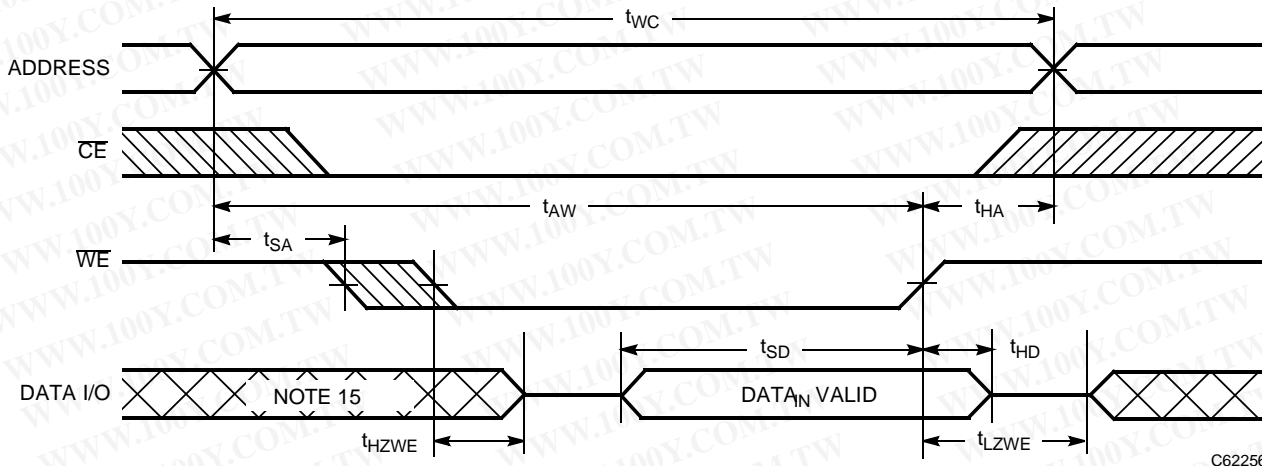


Notes:

12. Address valid prior to or coincident with \overline{CE} transition LOW.
13. Data I/O is high impedance if $OE = V_{IH}$.
14. If \overline{CE} goes HIGH simultaneously with \overline{WE} HIGH, the output remains in a high-impedance state.

Switching Waveforms (continued)

Write Cycle No. 3 (WE Controlled, OE LOW) ^[9,14]

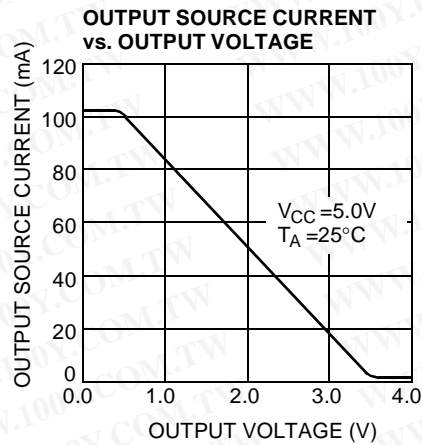
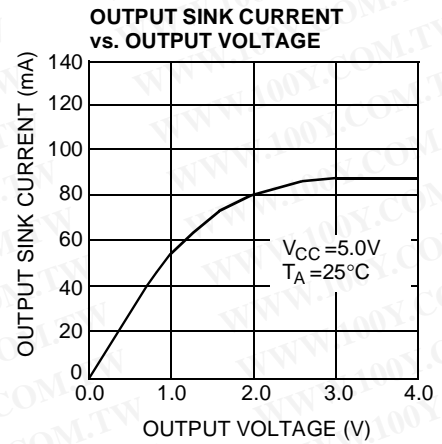
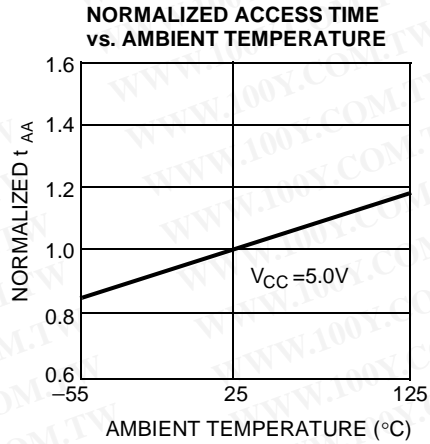
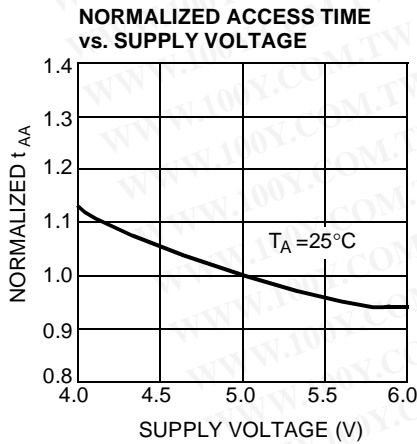
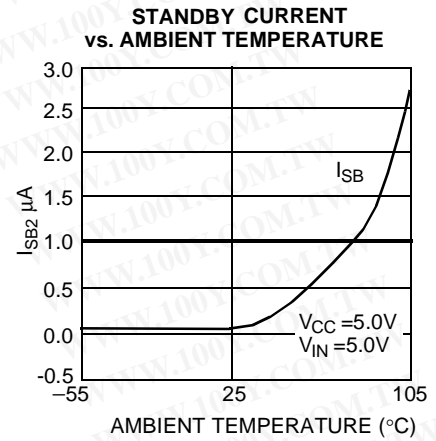
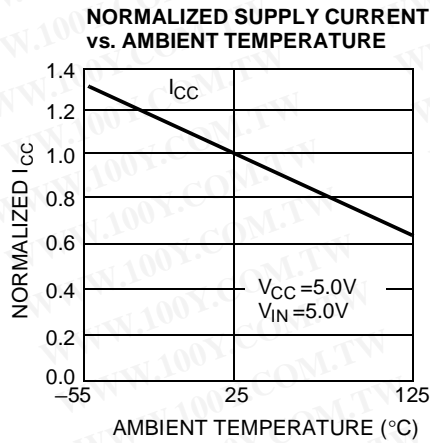
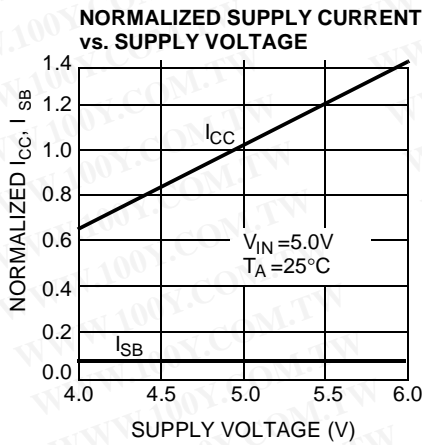


C62256-12

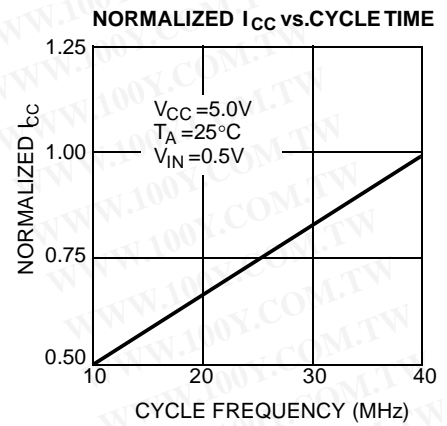
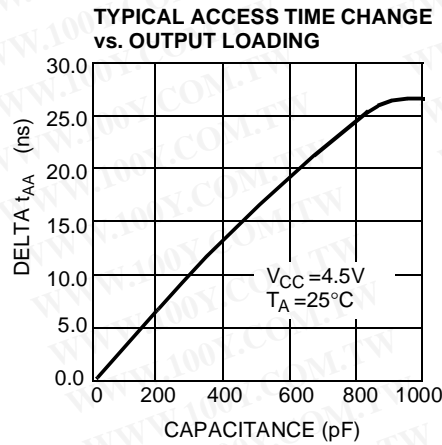
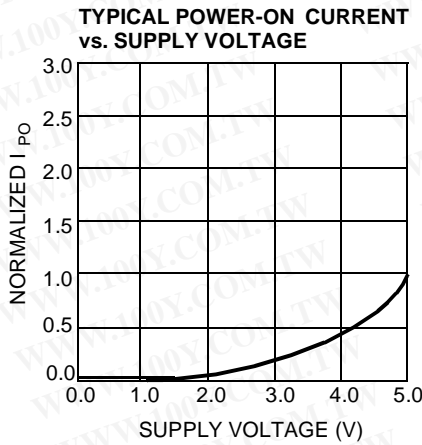
Note:

- 15. During this period, the I/Os are in output state and input signals should not be applied.

Typical DC and AC Characteristics



Typical DC and AC Characteristics (continued)



Truth Table

\overline{CE}	\overline{WE}	\overline{OE}	Inputs/Outputs	Mode	Power
H	X	X	High Z	Deselect/Power-Down	Standby (I_{SB})
L	H	L	Data Out	Read	Active (I_{CC})
L	L	X	Data In	Write	Active (I_{CC})
L	H	H	High Z	Deselect, Output Disabled	Active (I_{CC})



勝特力材料 886-3-5753170
 勝特力电子(上海) 86-21-54151736
 勝特力电子(深圳) 86-755-83298787
[Http://www.100y.com.tw](http://www.100y.com.tw)

CY62256

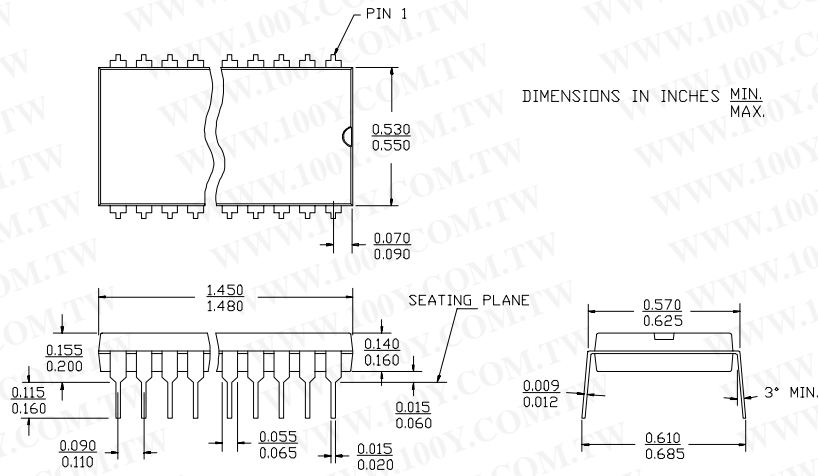
Ordering Information

Speed (ns)	Ordering Code	Package Name	Package Type	Operating Range
55	CY62256-55SNC	S22	28-Lead 450-Mil (300-Mil Body Width) SOIC	Commercial
	CY62256L-55SNC	S22	28-Lead 450-Mil (300-Mil Body Width) SOIC	
	CY62256LL-55SNC	S22	28-Lead 450-Mil (300-Mil Body Width) SOIC	
	CY62256-55ZRC	ZR28	28-Lead Reverse Thin Small Outline Package	
	CY62256L-55ZRC	ZR28	28-Lead Reverse Thin Small Outline Package	
	CY62256LL-55ZRC	ZR28	28-Lead Reverse Thin Small Outline Package	
	CY62256-55ZC	Z28	28-Lead Thin Small Outline Package	
	CY62256L-55ZC	Z28	28-Lead Thin Small Outline Package	
	CY62256LL-55ZC	Z28	28-Lead Thin Small Outline Package	
CY62256-55PC	P15	28-Lead (600-Mil) Molded DIP		
70	CY62256-70SNC	S22	28-Lead 450-Mil (300-Mil Body Width) SOIC	Commercial
	CY62256L-70SNC	S22	28-Lead 450-Mil (300-Mil Body Width) SOIC	
	CY62256LL-70SNC	S22	28-Lead 450-Mil (300-Mil Body Width) SOIC	
	CY62256-70SNI	S22	28-Lead 450-Mil (300-Mil Body Width) SOIC	Industrial
	CY62256L-70SNI	S22	28-Lead 450-Mil (300-Mil Body Width) SOIC	
	CY62256LL-70SNI	S22	28-Lead 450-Mil (300-Mil Body Width) SOIC	
	CY62256-70ZC	Z28	28-Lead Thin Small Outline Package	Commercial
	CY62256L-70ZC	Z28	28-Lead Thin Small Outline Package	
	CY62256LL-70ZC	Z28	28-Lead Thin Small Outline Package	
	CY62256-70ZI	Z28	28-Lead Thin Small Outline Package	Industrial
	CY62256L-70ZI	Z28	28-Lead Thin Small Outline Package	
	CY62256LL-70ZI	Z28	28-Lead Thin Small Outline Package	
	CY62256-70PC	P15	28-Lead (600-Mil) Molded DIP	Commercial
	CY62256L-70PC	P15	28-Lead (600-Mil) Molded DIP	
	CY62256LL-70PC	P15	28-Lead (600-Mil) Molded DIP	
	CY62256-70ZRC	ZR28	28-Lead Reverse Thin Small Outline Package	
CY62256L-70ZRC	ZR28	28-Lead Reverse Thin Small Outline Package		
CY62256LL-70ZRC	ZR28	28-Lead Reverse Thin Small Outline Package		

Shaded area contains preliminary information.

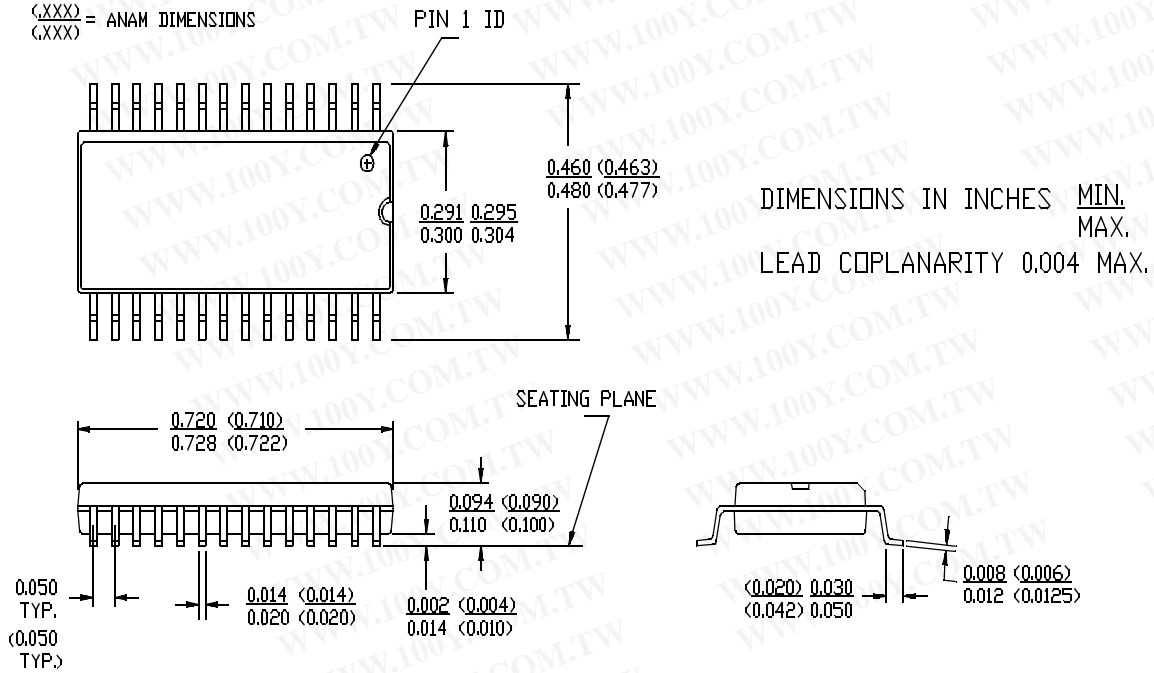
Document #: 38-00455-C

28-Lead (600-Mil) Molded DIP P15



28-Lead 450-Mil (300-Mil Body Width) SOIC S22

.XXX = HYUNDAI DIMENSIONS
 (.XXX) = ANAM DIMENSIONS

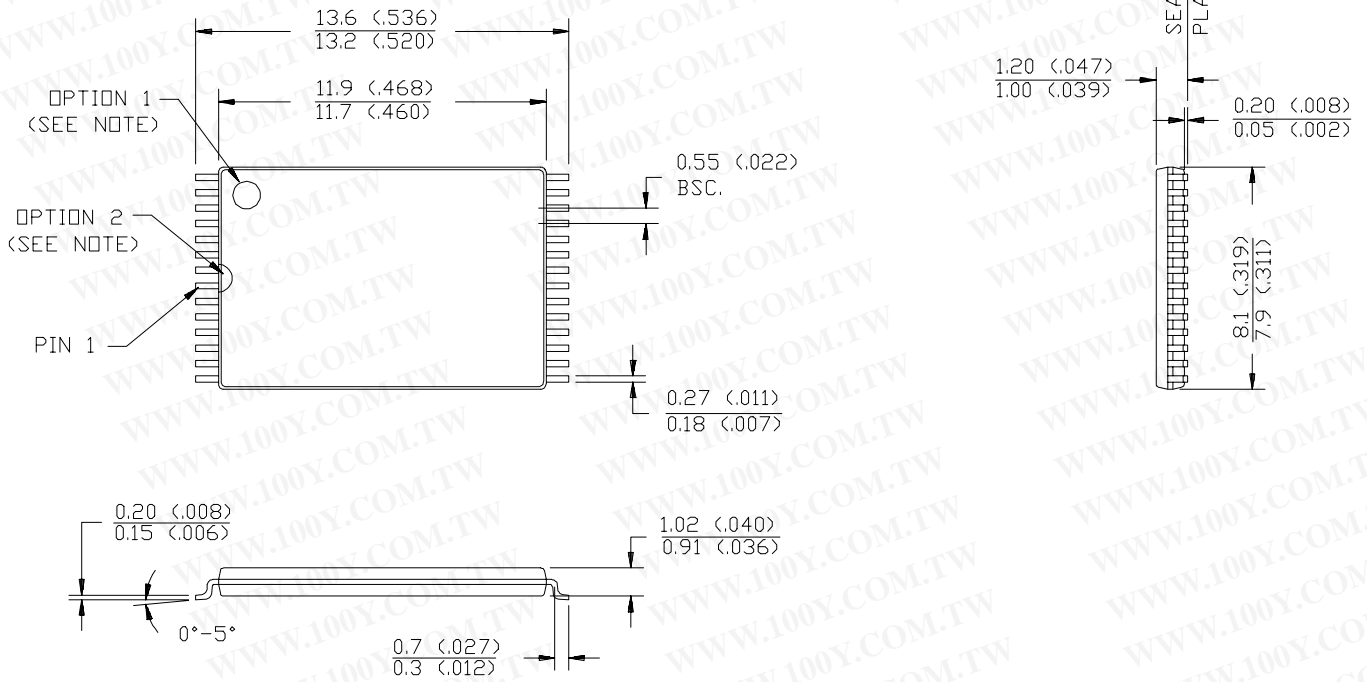


Package Diagrams (continued)

28-Lead Thin Small Outline Package Z28

NOTE: ORIENTATION I.D. MAY BE LOCATED EITHER AS SHOWN IN OPTION 1 OR OPTION 2

DIMENSION IN MM (INCH)
MAX.
MIN.



Package Diagrams (continued)

28-Lead Reverse Thin Small Outline Package ZR28

NOTE: ORIENTATION I.D. MAY BE LOCATED EITHER AS SHOWN IN OPTION 1 OR OPTION 2

DIMENSION IN MM (INCH)
MAX.
MIN.

