

# 3 1/2 DIGITAL PROCESS METER

# CSR-321

## FEATURE

- Measuring process signal mA, Vdc, Potentiometer, Pulse/u.
- Accuracy:  $\pm 0.1\%$
- 3 1/2 Digital display: 1999
- Easy-to-wire, screw type terminal
- Outside dimensions is 1/8 DIN standard (96x48 mm)
- High stability & low cost

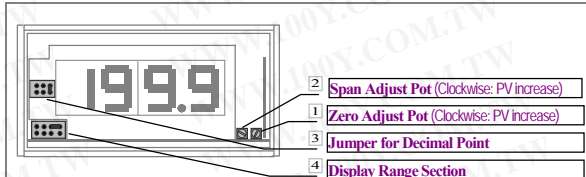


## MEASUREMENT

Measuring Range	Resolution	Input Impedance
Current	0 - 1 mA	0.001 mA
	0 - 10 mA	0.01 mA
	0 - 20 mA	0.1 mA
	4 - 20 mA	0.1 mA
Voltage	0 - 50 mV	0.1 mV
	0 - 1 V	0.001 V
	0 - 5 V	0.01 V
	0 - 10 V	0.01 V
Potentiometer	50 - 100.0K ohm	$\geq 1M$ ohm
Pulse/u.	3.00 - 30.0K Hz	$\geq 1M$ ohm

- Measuring accuracy:  $\pm 0.1\%$  F.S.  $\pm 1$  digit
- Span adjustment:  $\leq 10\%$  of R.O.
- Zero adjustment:  $\leq 2\%$  of R.O.
- Sampling time: About 3 cycles/sec.
- Polarity indication: When input is negative " - "
- Over-range indication: " 1 " display
- Max. input over capability: Voltage: 1.2 x rated continuous  
1.5 x rated for 10 seconds  
Current: 10 x rated continuous
- Decimal point: Settable to any position by front jumper
- Operating temperature: 0-60 °C
- Operating relative humidity: 20-95 %RH
- Temperature coefficient:  $\leq 100$  PPM/°C (0-50°C)  
 $\leq 50$  PPM/°C (23 $\pm$ 3°C)
- Storage temperature: -10-70 °C
- Power Supply: AC 115/230V  $\pm 10\%$ , 50/60 Hz  
Option: DC 12V, 24V, 48V  $\pm 10\%$   
(Isolated)
- Excitation supply: Option: DC 10V, 12V, 24V, 30mA
- Power consumption: DC 3W, AC 4.5VA
- Dielectric Strength: AC 2.0KV for 1 min  
(Between Power / Input)  
AC 3.0KV for 1 min  
(Between Terminal / Case)
- Weight: 350g

## ADJUSTMENT



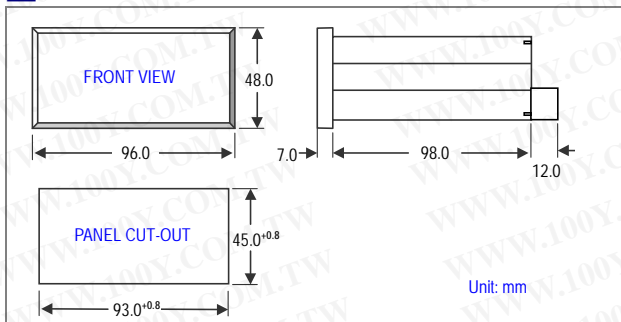
### 4 Display Range Section:

Section	Jumper	Display Range	Section	Jumper	Display Range
1		1999-1700	5		900- 625
2		1725-1300	6		625- 425
3		1300- 900	7		425- 300
4		1200- 825	8		300- 200

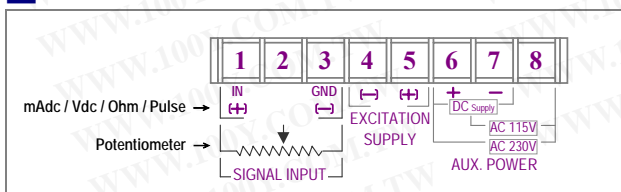
### 3 Decimal Point Jumper:



## DIMENSIONS



## CONNECTION DIAGRAM



## ORDER INFORMATION

CSR-321 Input Range — Excitation Supply — Aux. Power

Current		Voltage		Potentiometer or Ohm		Strain Gauge		Frequency		Aux. Power	
CODE	INPUT RANGE	CODE	INPUT RANGE	CODE	INPUT RANGE	CODE	INPUT RANGE	CODE	INPUT RANGE	CODE	EXCIT. SUPPLY
A1	0 - 1 mA	V1	0 - 50 mV	RP1	50 - 10K ohm	S1	1.0 mV/V	H1	1 P/u.	N	None
A2	0 - 10 mA	V2	0 - 60 mV	RP2	10K - 100K ohm	S2	1.3 mV/V	H2	10 P/u.	E1	DC 10 V
A3	0 - 20 mA	V3	0 - 1 V	R1	199.9 ohm	S3	1.5 mV/V	H3	60 P/u.	E2	DC 12 V
A4	4 - 20 mA	V4	0 - 5 V	R2	1999 ohm	S4	2.0 mV/V	H4	100 P/u.	E3	DC 24 V
O	Specify	V5	0 - 10 V	R3	10.00K ohm	S5	2.5 mV/V	H5	500 P/u.	O	Specify
		V6	1 - 5 V	O	Specify	S6	3.0 mV/V	H6	1024 P/u.		
		O	Specify			O	Specify	O	Specify		

C-6

CSEC-99/05

勝特力材料 886-3-5753170  
 勝特力电子(上海) 86-21-54151736  
 勝特力电子(深圳) 86-755-83298787  
[Http://www.100y.com.tw](http://www.100y.com.tw)