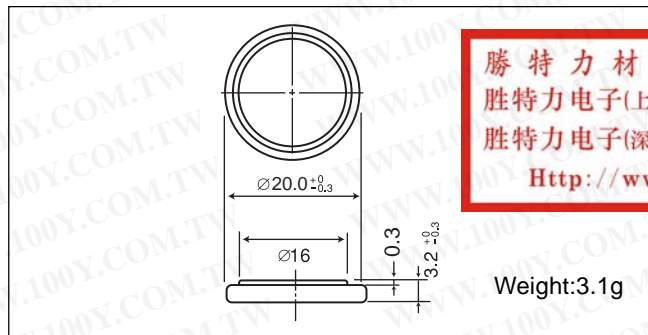


# Manganese Dioxide Lithium Coin Batteries: Individual Specifications

## CR2032

### ■ Dimensions(mm)

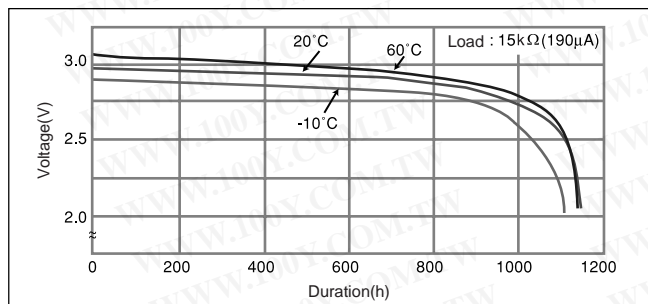


勝特力材料 886-3-5753170  
 勝特力电子(上海) 86-21-54151736  
 勝特力电子(深圳) 86-755-83298787  
[Http://www.100y.com.tw](http://www.100y.com.tw)

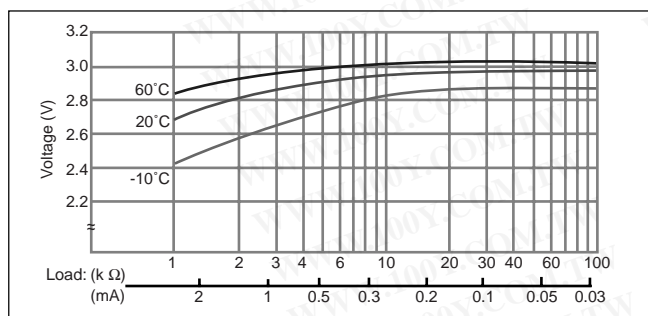
### ■ Specification

Nominal voltage (V)	3
Nominal capacity (mAh)	220
Continuous standard load (mA)	0.2
Operating temperature (C)	-30 ~ +60

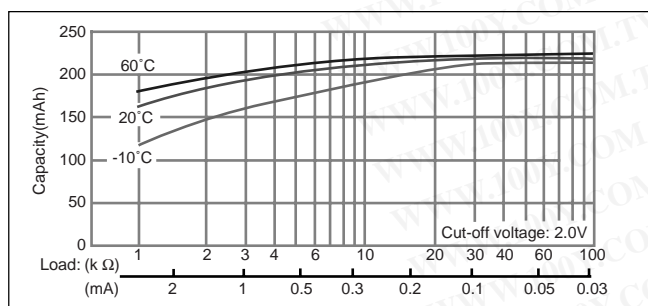
### ■ Temperature Characteristics



### ■ Operating voltage vs. load resistance (voltage at 50% discharge depth)

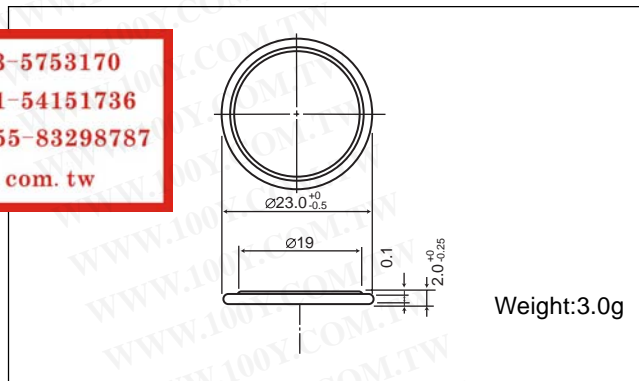


### ■ Capacity vs. load resistance



## CR2320

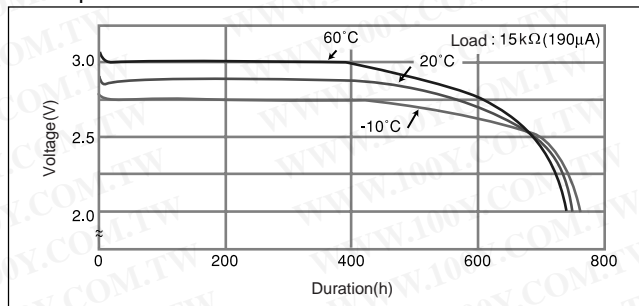
### ■ Dimensions(mm)



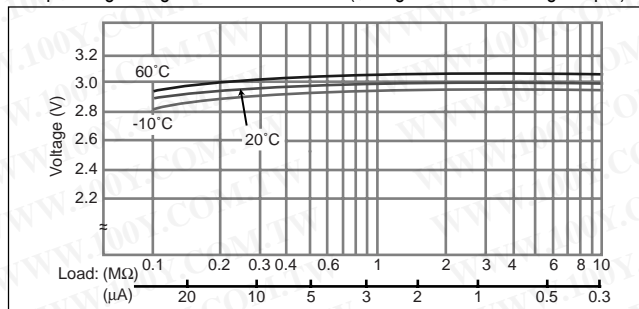
### ■ Specification

Nominal voltage (V)	3
Nominal capacity (mAh)	130
Continuous standard load (mA)	0.2
Operating temperature (C)	-30 ~ +60

### ■ Temperature Characteristics



### ■ Operating voltage vs. load resistance (voltage at 50% discharge depth)



### ■ Capacity vs. load resistance

