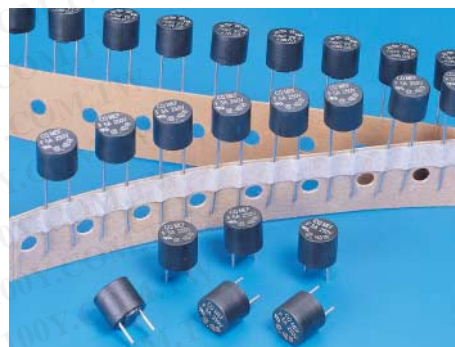




Type MEF

Fast Acting Radial Lead Micro Fuse Series

RoHS Product **Pb Free**



Approvals

| | |
|----------------|-----------|
| VDE | 50mA~6.3A |
| CSA Acceptance | 50mA~6.3A |
| UL Recognized | 50mA~6.3A |
| MITI | 1A~5A |
| SEMKO | 50mA~5A |
| CCC | 50mA~5A |

Electrical Characteristics

| Rated Current | 1.5In | | 2.1In | | 2.75In | | 4 In | | 10 In | |
|---------------|-------|-----|-------|-----|--------|-----|------|-----|-------|-----|
| | MIN | MAX | MIN | MAX | MIN | MAX | MIN | MAX | MIN | MAX |
| 50mA~5A | 60 | 30 | 10 | 3 | 3 | 300 | 20 | | | |
| | min | min | ms | sec | ms | ms | ms | | | |
| 6.3 A | 60 | 30 | 10 | 5 | 3 | 300 | 20 | | | |
| | min | min | ms | sec | ms | ms | ms | | | |

Interrupting Ratings

35 amperes or 10 x rated current; whichever is greater at 250V AC.

Environmental Specification

Operating Temperature

-55°C to +125°C

Shock

MIL-STD-202, Method 213, Condition 1 (Saw tooth)

Vibration

MIL-STD-202, Method 201(10-55 Hz x 3axis/no load)

Salt Spray

MIL-STD-202, Method 101, Test Condition B (48Hrs)

Insulation Resistance

MIL-STD-202, Method 302, Test Condition A (After Opening) 10,000 ohms minimum

Resistance to Solder Heat

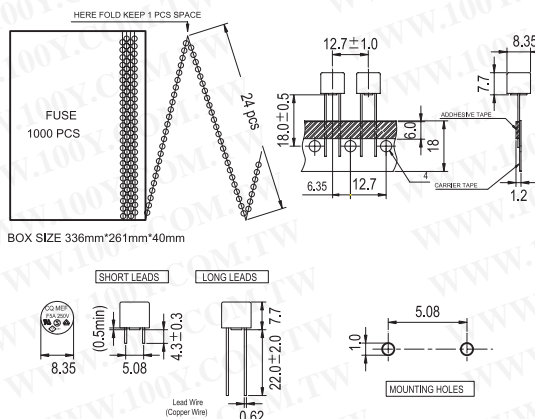
MIL-STD-202, Method 210, Test Condition F (10sec, at 260°C)

Thermal Shock:

MIL-STD-202, Method 107, Test Condition B (-65°C to +125°C)

| Cartridge Catalog Number | Ampere Rating [In] | Voltage Rating (V) | Nominal Resistance Cold Ohms | Voltage Drop (mv)MAX | Nominal Melting I ² t A ² Sec |
|--------------------------|--------------------|--------------------|------------------------------|----------------------|---|
| MEF .050 | 50 mA | 250V | 4.1970 | 650 | 0.000325 |
| MEF .063 | 63 mA | | 2.8020 | 500 | 0.001580 |
| MEF .080 | 80 mA | | 1.8650 | 400 | 0.003200 |
| MEF .100 | 100 mA | | 1.7410 | 350 | 0.005000 |
| MEF .125 | 125 mA | | 1.2620 | 350 | 0.006250 |
| MEF .160 | 160 mA | | 0.8290 | 330 | 0.007680 |
| MEF .200 | 200 mA | | 0.4850 | 300 | 0.024000 |
| MEF .250 | 250 mA | | 0.3670 | 250 | 0.043750 |
| MEF .315 | 315 mA | | 0.2720 | 230 | 0.059530 |
| MEF .400 | 400 mA | | 0.1940 | 210 | 0.080000 |
| MEF .500 | 500 mA | | 0.1290 | 170 | 0.083000 |
| MEF .630 | 630 mA | | 0.0960 | 150 | 0.119000 |
| MEF .800 | 800 mA | | 0.072 | 130 | 0.192000 |
| MEF 001 | 1 A | | 0.0520 | 120 | 0.300000 |
| MEF 1.25 | 1.25 A | | 0.0430 | 120 | 0.468700 |
| MEF 1.60 | 1.6 A | | 0.0310 | 110 | 0.896000 |
| MEF 002 | 2 A | | 0.0260 | 110 | 1.200000 |
| MEF 2.50 | 2.5 A | | 0.0190 | 100 | 2.500000 |
| MEF 3.15 | 3.15 A | | 0.0140 | 100 | 3.969000 |
| MEF 004 | 4 A | | 0.0110 | 100 | 7.200000 |
| MEF 005 | 5 A | 0.0083 | 90 | 15.000000 | |
| MEF 6.30 | 6.3 A | 0.0061 | 80 | 47.628000 | |

Mechanical Dimensions



Physical Specification

Materials

Base and Cap: Black thermoplastic, UL 94-V0

Pin: Pure Tin plated alloy

Packaging

1. In bulk: 1,000 pcs per box.
2. On Tap: Ammo pack, 1,000 pcs box

Patented

勝特力材料 886-3-5753170
 勝特力电子(上海) 86-21-54151736
 勝特力电子(深圳) 86-755-83298787
[Http://www.100y.com.tw](http://www.100y.com.tw)