

CONQUER Fuse Clips Are Professional Designed For Varies Of Circuits And Fusing Applications. These Clips Are Available In Several Finishing's And Base Materials Which Meet Specific Current, Strength, And Conductivity Requirements.

Specification Guide Codes:

A= Item Number

B= Metal Material

C= Material Thickness (mm)

D= Suitable Rated Current

Option Finish Selecting:

N= Nickel Plating

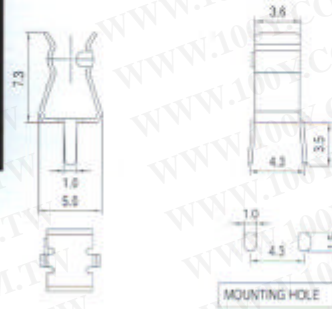
S= Silver Plating

(To Order Add N or S e.g. CQ-205B N)

P.C. BOARD MOUNT FUSE CLIPS FOR 3.6 mm DIAMETER FUSES



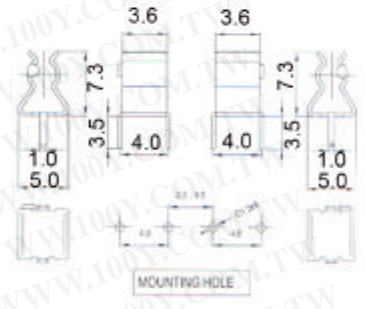
CQ-301A



B: Spring Brass
C: 0.3t
D: 6.3A
Bright Tin Plated
Ear Type



CQ-301B

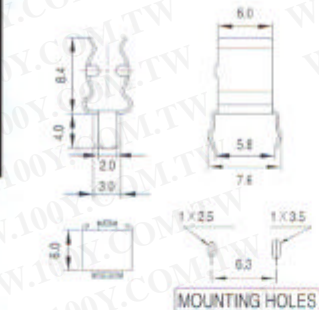


B: Spring Brass
C: 0.4t
D: 10A
Bright Tin Plated
Ear Type

P.C. BOARD MOUNT FUSE CLIPS FOR 5 mm DIAMETER FUSES



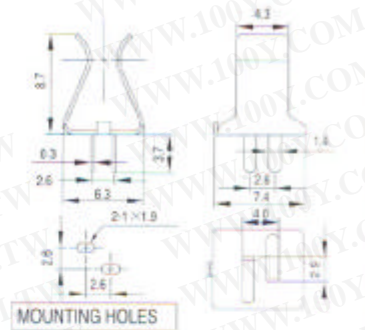
CQ-203B



B: Phosphor Bronze
C: 0.4t
D: 10A
Bright Tin Plated
Ear Type



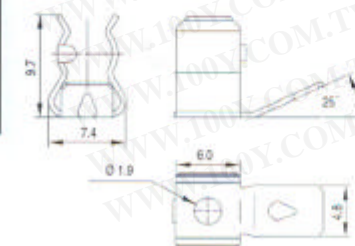
CQ-203D



B: Spring Brass
C: 0.3t
D: 6.3A
Bright Tin Plated



CQ-203E



B: Phosphor Bronze
C: 0.5t
D: 15A
Bright Tin Plated
Ear Type



CQ-203H



B: Spring Brass
C: 0.4t
D: 6.3A
Bright Tin Plated