



產品說明

法國 COTHERM 公司在生產液脹式可調式溫度開關、壓力表、水控制器、電子控制單方面超過 30 年製造經驗、並已得到歐洲安全機構的認證。

因具有高安全性、品質優良等競爭優勢、行銷全球被廣泛應用於工業、食品機械業、包裝機械業……等。

勝特力材料 886-3-5753170
勝特力电子(上海) 86-21-54151736
勝特力电子(深圳) 86-755-83298787
[Http://www.100y.com.tw](http://www.100y.com.tw)

勝特力电子(深圳) 86-755-83298787
[Http://www.100y.com.tw](http://www.100y.com.tw)

產品優點

1. 全自動化生產(ISO 9001, 14001)。
2. 接點容量較大 GTLH 系列<<20A/250(EN, UL)>><<25A/250(UL)>>。
3. 接點材質採銀鎳燒結合金。
4. 本體結構採兩段室設計(一般接點和膨脹閥是合併結構)。

COTHERM 的接點和膨脹閥是分成兩室設計構造、較傳統式設計上安全。

5. 外殼材質耐熱溫度達 800°C。
5. 符合歐美規範 CE, EN60730, UL, CUL。
6. 旋鈕背面外加(止檔片)可固定溫度或設定範圍溫度。


例如使用(30-110°C)規格、可用止檔片設定在 40°C 不動、或設定在 40-100 範圍內。

7. 售後服務保證。

RoHS Compliant Products

Cotherm are pleased to announce compliance of our GTLH, TA, TSE, TSD, TSDR and TSR products manufactured after 1st December 2005.

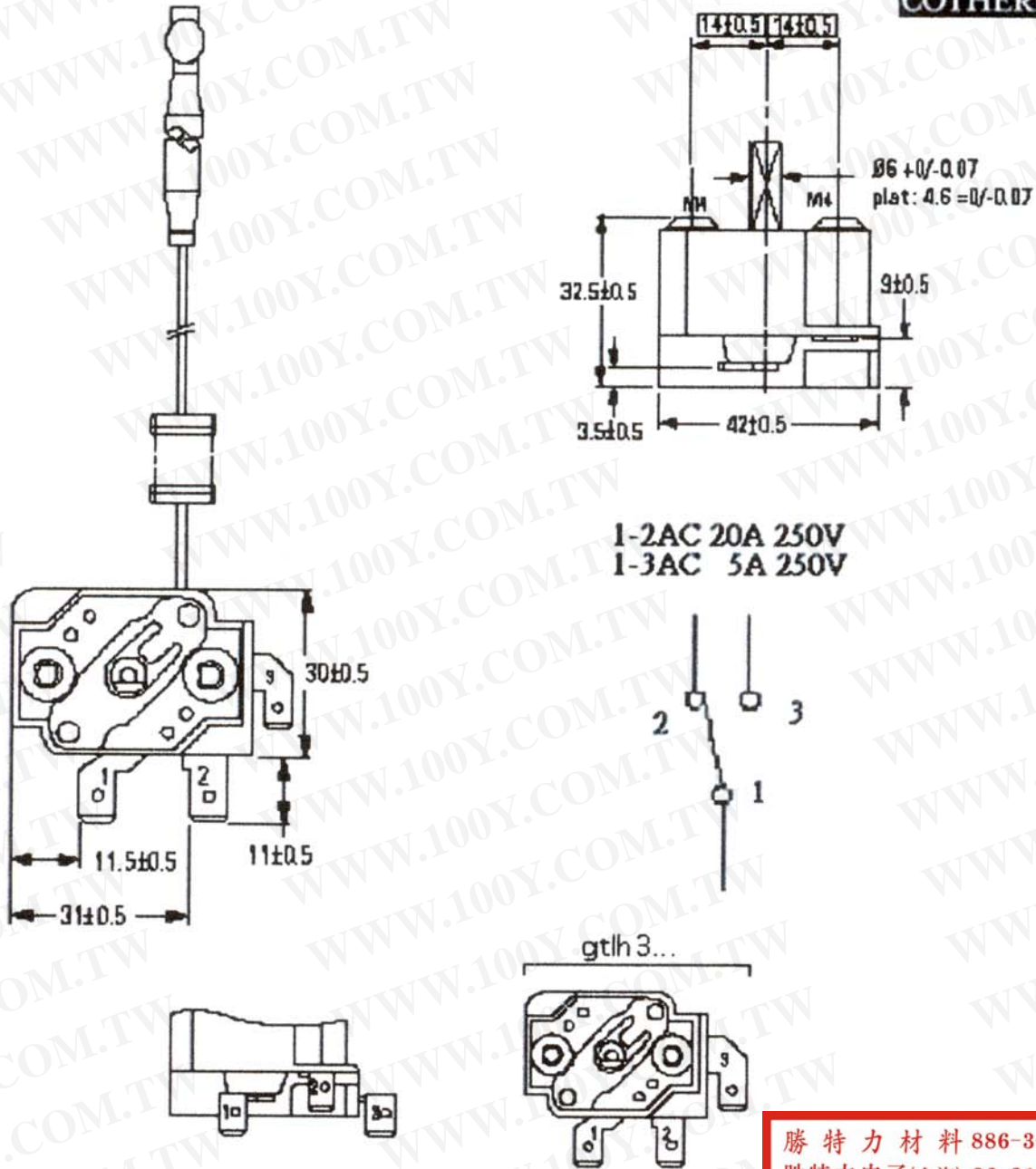
All TUS, BTS, BSD, BBSC and BBSB products manufactured after 1st March 2006 will also be RoHS compliant.



規格說明

型號	GTLH 3145	GTLH3135	GTLH 3120	GTLH 3169	GTLH3162
溫度範圍	-30+35°C	0-50°C	30-110°C	OFF-200°C	OFF-320°C
誤差值	3-5%	3-5%	3-5%	3-5%	3-5%
接點額定電流(電阻性)	20A/250V				
接點方式	(SPDT)接點				
復歸值	3.5°C	4°C	5°C	7°C	6°C
毛細管 L	1525±25mm	1558±25mm	1430±25mm	1070±25mm	2171±25mm
感溫棒 D	108±5mm	108±5mm	74±5mm	70±5mm	171±5mm
毛細管膠套	1500±25mm	100±25mm	1000±25mm	500±25mm	100±25mm
感溫棒材質	不鏽鋼	不鏽鋼	不鏽鋼	不鏽鋼	不鏽鋼
螺母頭	三分	三分	三分	三分	三分
接點材質	AgNi	AgNi	AgNi	AgNi	AgNi
備註欄					

GTLH 系列本體圖面



配件

勝特力材料 886-3-5753170
 勝特力电子(上海) 86-21-54151736
 勝特力电子(深圳) 86-755-83298787
[Http://www.100y.com.tw](http://www.100y.com.tw)



→ DESCRIPTION

Single pole bulb and capillary control and manual or automatic reset safety limiter

→ FEATURES

- Available either for temperature regulation or overtemperature protection
- Factory pre-set fixed temperature, OEM adjustable or end-user knob adjustable temperature
- Wide variety of temperature ranges customized to requirements
- Precise temperature control with fast reaction time
- Adaptable to both air and immersion type applications
- Trip free manual reset
- Multiple bracket options for field retrofit
- Protective capillary sleeving available on request

→ OPERATION

A rise in temperature causes the expansion of liquid within the bulb and capillary. The liquid acts on a bellows assembly within the plastic housing to open and close electrical contacts

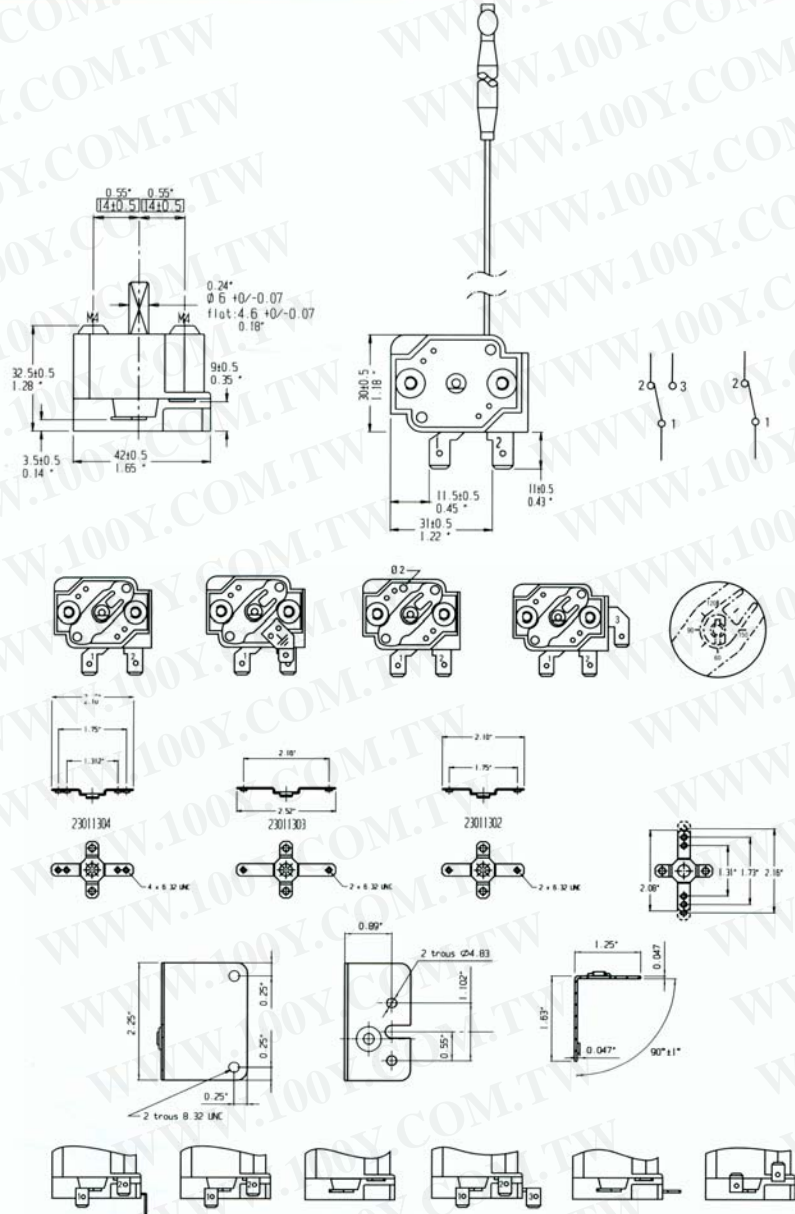
TECHNICAL CHARACTERISTICS

	Adjustable or fixed temperature control or automatic reset safety limiter		Adjustable or fixed temperature manual reset safety limiter		UL/CUL approved equivalents (25A)	
	GTLH	GTLH3	GTLHR	GTLHR3	GTLU	GTLUR
Type	Single pole single throw (SPST)	Single pole double throw (SPDT) with changeover contact	Single pole single throw (SPST)	Single pole double throw (SPDT) with changeover contact	Single pole single throw (SPST) with automatic reset	Single pole single throw (SPST) with manual reset
Temperature range	-35°C to 350°C (-31°F to 662°F), customized to specification					
Differential	Approx. 5% of temperature range					
Rating	20A - 250V (EN, UL) / 25A - 250V (UL)					
Material	Bulb and capillary in copper, nickel-plated copper, or stainless steel					
Capillary length	150 to 3 000 mm / 6 to 118"					
Sensing element diameters	Copper : 4, 5, 6, 6.5 and 8 mm / 5/32, 3/16, 1/4 and 5/16" Stainless steel : 3, 5, 6 mm / 1/8, 3/16 and 1/4"					
Maximum head temperature	120°C / 248°F, 150°C / 302°F					
Connections	Brass or nickel plated fastons or screw terminals					
Approvals	CE, EN60730, UL, CUL					

coltherm
COMPONENTS

勝特力材料 886-3-5753170
勝特力电子(上海) 86-21-54151736
勝特力电子(深圳) 86-755-83298787
[Http://www.100y.com.tw](http://www.100y.com.tw)

TECHNICAL CHARACTERISTICS



Weight : approx. 60g

COTHERM reserves the right to bring any modifications to our products.
 We manufacture products according to drawings which serve as contractual documents.
 We are not responsible for damage resulting from inappropriate installation or use of our product.