

November 1996

勝特力材料 886-3-5753170
 勝特力电子(上海) 86-21-54151736
 勝特力电子(深圳) 86-755-83298787
[Http://www.100y.com.tw](http://www.100y.com.tw)

TV Horizontal Processors

Features

- CA1391E - Positive Horizontal Sawtooth Input
- CA1394E - Negative Horizontal Sawtooth Input
- Internal Shunt Regulator
- Linear Balanced Phase Detector
- Preset Hold Control Capability
- Pull-In ±300Hz (Typ)
- Low Thermal Frequency Drift
- Small Static Phase Error
- Variable Output Duty Cycle
- Adjustable DC Loop Gain

Description

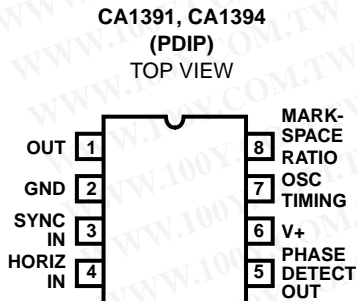
The Harris CA1391E and CA1394E are monolithic integrated circuits designed for use in the low-level horizontal section of monochrome or color television receivers. Functions include a phase detector, an oscillator, a regulator, and a pre-driver.

The CA1391E and CA1394E are electrically equivalent and pin compatible with industry types 1391 and 1394 in similar packages.

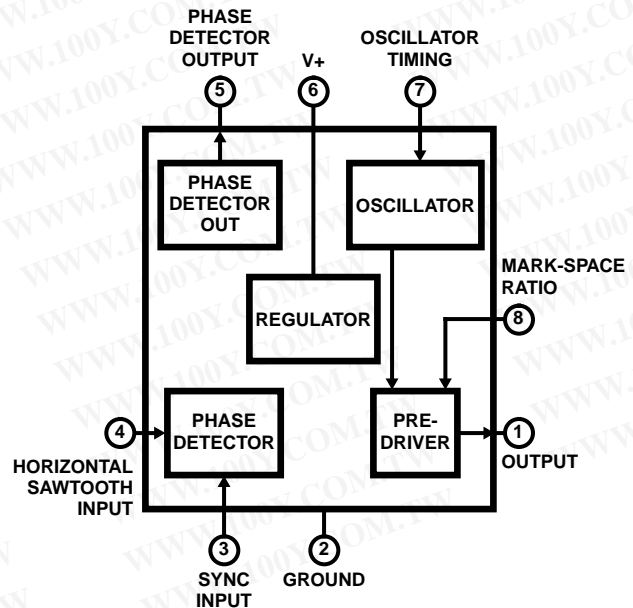
Ordering Information

PART NUMBER	TEMP. RANGE (°C)	PACKAGE	PKG. NO.
CA1391E	0 to 85	8 Ld PDIP	E8.3
CA1394E	0 to 85	8 Ld PDIP	E8.3

Pinout



Functional Diagram



CA1391, CA1394

Absolute Maximum Ratings

DC Supply Current	40mA
DC Output Voltage	40V
DC Output Current	30mA
Sync Input Voltage	5V _{P-P}
Sawtooth Input Voltage	5V _{P-P}

Thermal Information

Thermal Resistance (Typical, Note 1)	θ_{JA} (°C/W)
PDIP Package	120
Maximum Junction Temperature (Plastic Package)	150°C
Maximum Storage Temperature Range	-65°C to 150°C
Maximum Lead Temperature (Soldering 10s)	300°C

Operating Conditions

Temperature Range 0°C to 85°C

CAUTION: Stresses above those listed in "Absolute Maximum Ratings" may cause permanent damage to the device. This is a stress only rating and operation of the device at these or any other conditions above those indicated in the operational sections of this specification is not implied.

NOTE:

- θ_{JA} is measured with the component mounted on an evaluation PC board in free air.

Electrical Specifications (See Figure 1)

PARAMETER	TEST CONDITIONS	TEMP. (°C)	MIN	TYP	MAX	UNITS
Supply Voltage	S ₁ , S ₅ , S ₆ = 2; S ₂ , S ₃ , S ₄ , S ₇ , S ₈ = 1 Measure Terminal 6 to GND	25	8	-	9	V
Free Running Frequency -1%	S ₁ , S ₅ , S ₆ = 2; S ₂ , S ₃ , S ₄ , S ₇ , S ₈ = 1 Counter to Terminal 1	25	14734	-	16734	Hz
Output Leakage	S ₂ , S ₃ , S ₆ , S ₈ = 1; S ₁ , S ₄ , S ₅ , S ₇ = 2 Measure Terminal 1 to 25V	25	-	10	-	mV
Output Saturation	S ₂ , S ₃ , S ₅ , S ₆ , S ₈ = 1; S ₁ , S ₄ , S ₇ = 2 Measure Terminal 1 to GND	25	-	60	-	mV
Phase Detector Bias	S ₂ , S ₅ , S ₆ , S ₈ = 1; S ₁ , S ₃ , S ₄ , S ₇ = 2 Measure Terminal 3 to GND	25	-	1.9	-	V
Phase Detector Leak	S ₅ , S ₈ = 1; S ₁ , S ₂ , S ₃ , S ₄ , S ₆ , S ₇ = 2 Measure Terminal 5 to +4V	25	-2	-	2	mV
Phase Detector Low	S ₁ , S ₅ , S ₈ = 1; S ₂ , S ₃ , S ₄ , S ₆ , S ₇ = 2 Measure Terminal 5 to +4V	25	-0.55 (Note 2)	-	-	V
Phase Detector High	S ₁ , S ₅ , S ₆ , S ₈ = 1; S ₂ , S ₃ , S ₄ , S ₇ = 2 Measure Terminal 5 to +4V	25	+0.55 (Note 2)	-	-	V
Phase Detector Balance	V _{DET2} + V _{DET3}	25	-100	-	100	mV
Sync Diode	S ₁ , S ₂ , S ₃ , S ₄ , S ₆ , S ₇ = 1; S ₅ , S ₈ = 2	25	0.3	-	1.2	V
Static Phase Error	See Figure 3	25	-	0.5	-	μs
Oscillator Pull In Range			-	±300	-	Hz
Oscillator Hold In Range			-	±900	-	Hz

NOTE:

- Polarity reversed in the CA1391.

勝特力材料 86-3-5753170
 勝特力电子(上海) 86-21-54151736
 勝特力电子(深圳) 86-755-83298787
[Http://www.100y.com.tw](http://www.100y.com.tw)

CA1391, CA1394

勝特力材料 886-3-5753170
 勝特力电子(上海) 86-21-54151736
 勝特力电子(深圳) 86-755-83298787
[Http://www.100y.com.tw](http://www.100y.com.tw)

Test Circuit

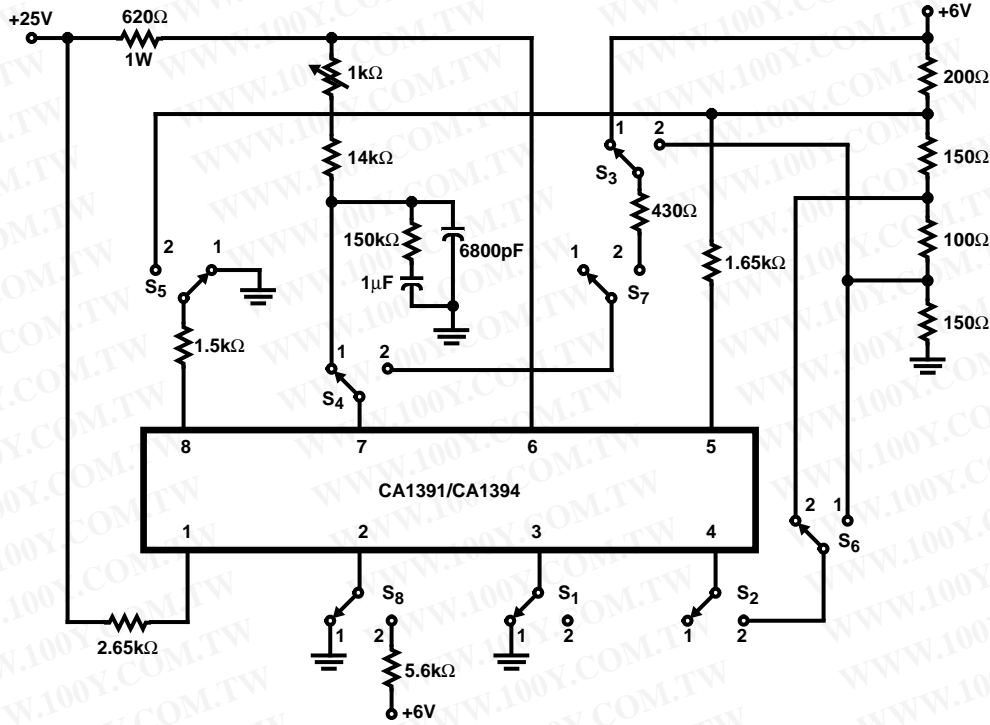
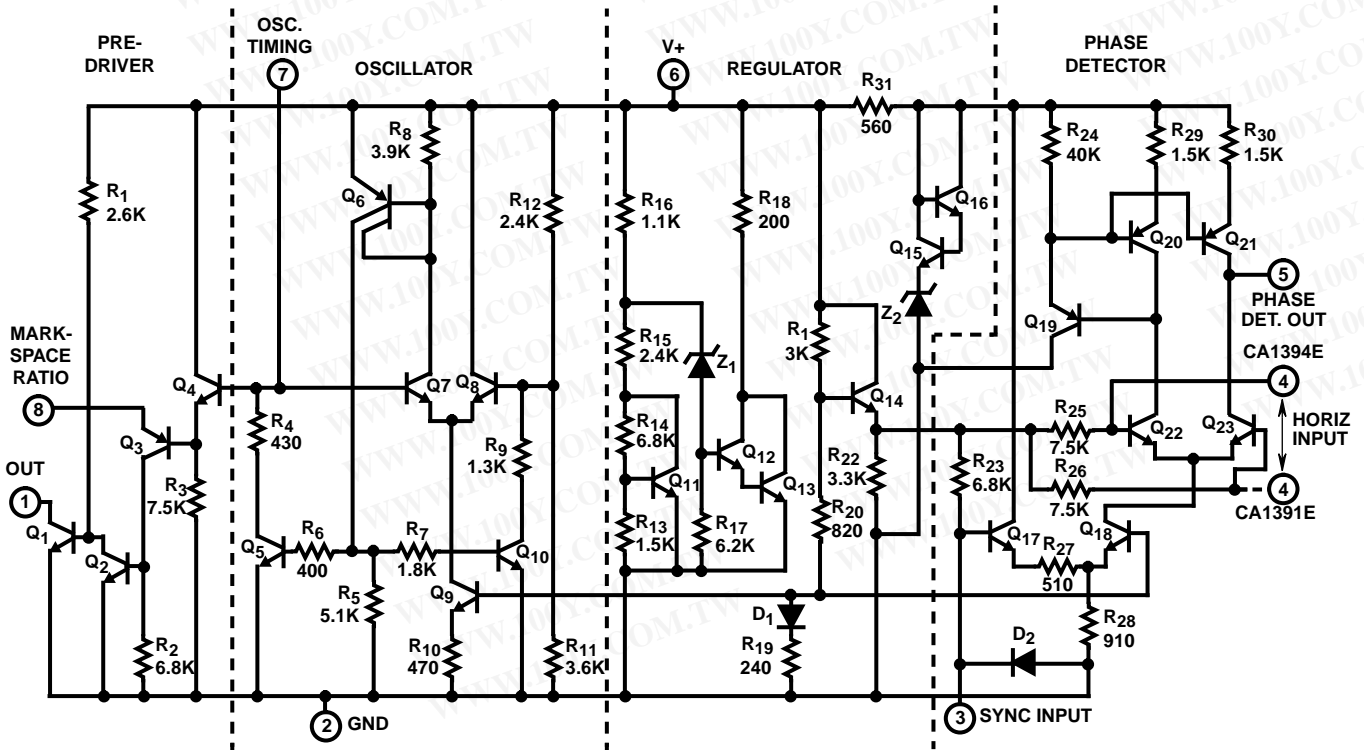


FIGURE 1. DC TEST CIRCUIT

Schematic Diagram



NOTE: All resistances are in ohms.

Application Information

Circuit Operation (See Schematic Diagram)

The CA1391 and CA1394 contain the oscillator, phase detector, and predriver sections necessary for the television horizontal oscillator and AFC loop.

The oscillator is an RC type with Terminal 7 used to control the timing. If it is assumed that Q₇ is initially off, then an external capacitor connected from Terminal 7 to ground charges through an external resistance connected between Terminals 6 and 7. As soon as the voltage at Terminal 7 exceeds the potential set at the base of Q₈ by resistors R₁₁ and R₁₂, Q₇ turns on, and Q₆ supplies base current to Q₅ and Q₁₀. Transistor Q₅ discharges the capacitor through R₄ until the base bias of Q₇ falls below that of Q₈ at which time, Q₇ turns off, and the cycle repeats.

The sawtooth generated at the base of Q₄ appears across R₃ and turns off Q₃ whenever the sawtooth voltage rises to a value that exceeds the bias set at Terminal 8. By adjusting the potential at Terminal 8, the duty cycle at the pre-drive output (Terminal 1) may be changed. The phase detector is isolated from the remainder of the circuit by R₃₁, Z₂, Q₁₅ and Q₁₆. The phase detector consists of the comparator Q₂₂ and Q₂₃, and the gated current source Q₁₈. Negative going sync pulses at Terminal 3 turn off Q₁₇, and the current division between Q₂₂ and Q₂₃ is then determined by the phase relationship of the sync and the sawtooth waveform at Terminal 4, which is derived from the horizontal flyback pulse. If there is no phase difference between the sync and sawtooth, equal currents flow in the collectors of Q₂₂ and Q₂₃ during each half of the sync pulse period. The current in Q₂₂ is turned around by current mirror

Q₂₀ and Q₂₁ so that there is no net output current at Terminal 5 for balanced conditions. When a phase offset occurs, current flows either in or out of Terminal 5. In circuit applications, this terminal is connected to Terminal 7 through an external low pass filter, thereby controlling the oscillator.

Shunt regulation for the circuit is obtained by using a V_{BE} and zener multiplier. Resistors R₁₃ and R₁₄ multiply the V_{BE} of Q₁₁, and the ratio of R₁₅ and R₁₆ multiplies the voltage of the zener diode Z₁.

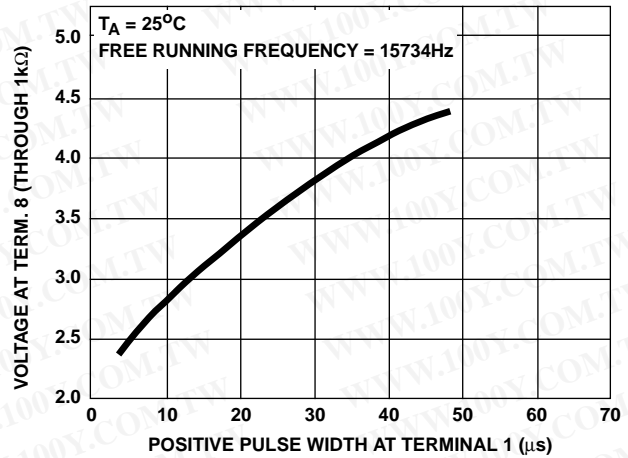


FIGURE 2. DUTY CYCLE AT THE PRE-DRIVE OUTPUT (TERMINAL 1) AS IT IS AFFECTED BY THE INPUT AT TERMINAL 8

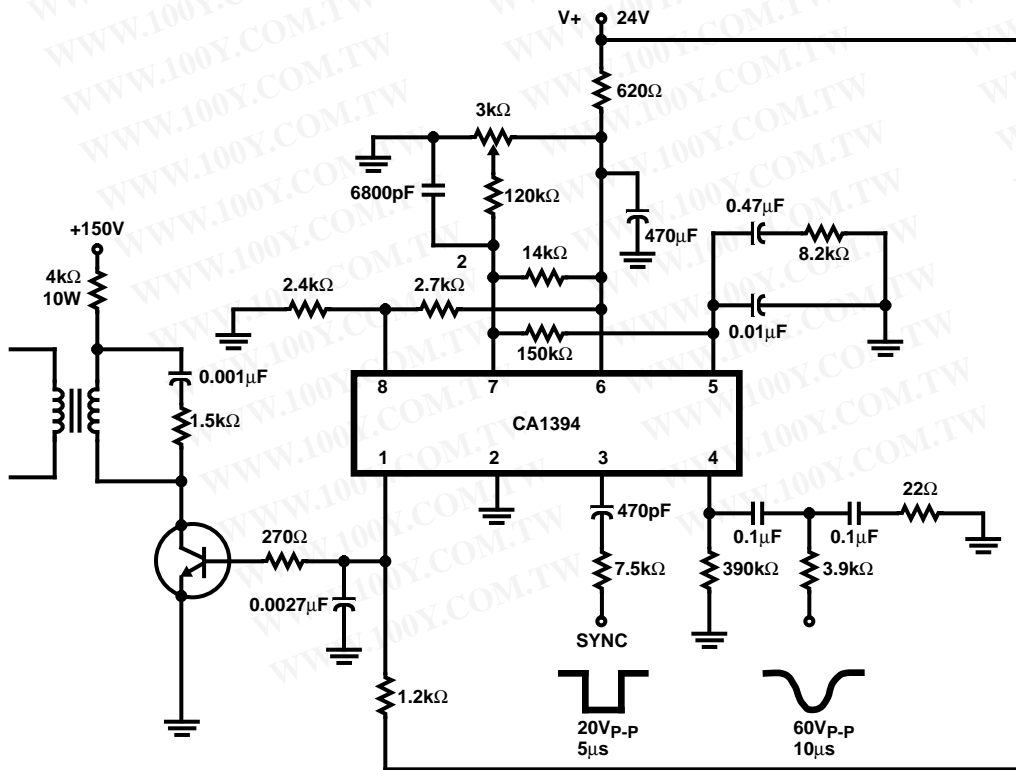


FIGURE 3. TYPICAL CIRCUIT APPLICATION