

# Am27C020

## 2 Megabit (256 K x 8-Bit) CMOS EPROM

### DISTINCTIVE CHARACTERISTICS

- **Fast access time**
  - Speed options as fast as 55 ns
- **Low power consumption**
  - 100  $\mu$ A maximum CMOS standby current
- **JEDEC-approved pinout**
  - Plug in upgrade of 1 Mbit EPROM
  - Easy upgrade from 28-pin JEDEC EPROMs
- **Single +5 V power supply**
- **$\pm 10\%$  power supply tolerance standard**
- **100% Flashrite™ programming**
  - Typical programming time of 32 seconds
- **Latch-up protected to 100 mA from  $-1$  V to  $V_{CC} + 1$  V**
- **High noise immunity**
- **Compact 32-pin DIP, PDIP, and PLCC packages**

### GENERAL DESCRIPTION

The Am27C020 is a 2 Megabit, ultraviolet erasable programmable read-only memory. It is organized as 256 Kwords by 8 bits per word, operates from a single +5 V supply, has a static standby mode, and features fast single address location programming. Products are available in windowed ceramic DIP packages, as well as plastic one time programmable (OTP) PDIP and PLCC packages.

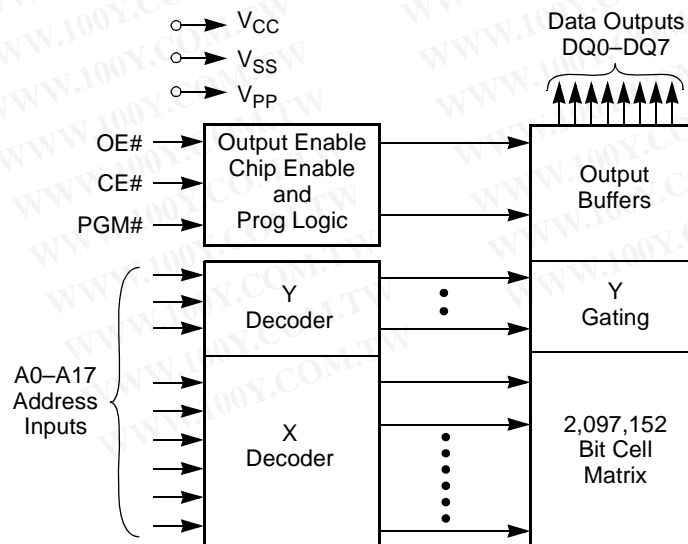
Data can be typically accessed in less than 55 ns, allowing high-performance microprocessors to operate without any WAIT states. The device offers separate Output Enable (OE#) and Chip Enable (CE#) controls,

thus eliminating bus contention in a multiple bus microprocessor system.

AMD's CMOS process technology provides high speed, low power, and high noise immunity. Typical power consumption is only 100 mW in active mode, and 100  $\mu$ W in standby mode.

All signals are TTL levels, including programming signals. Bit locations may be programmed singly, in blocks, or at random. The device supports AMD's Flashrite programming algorithm (100  $\mu$ s pulses), resulting in a typical programming time of 32 seconds.

### BLOCK DIAGRAM



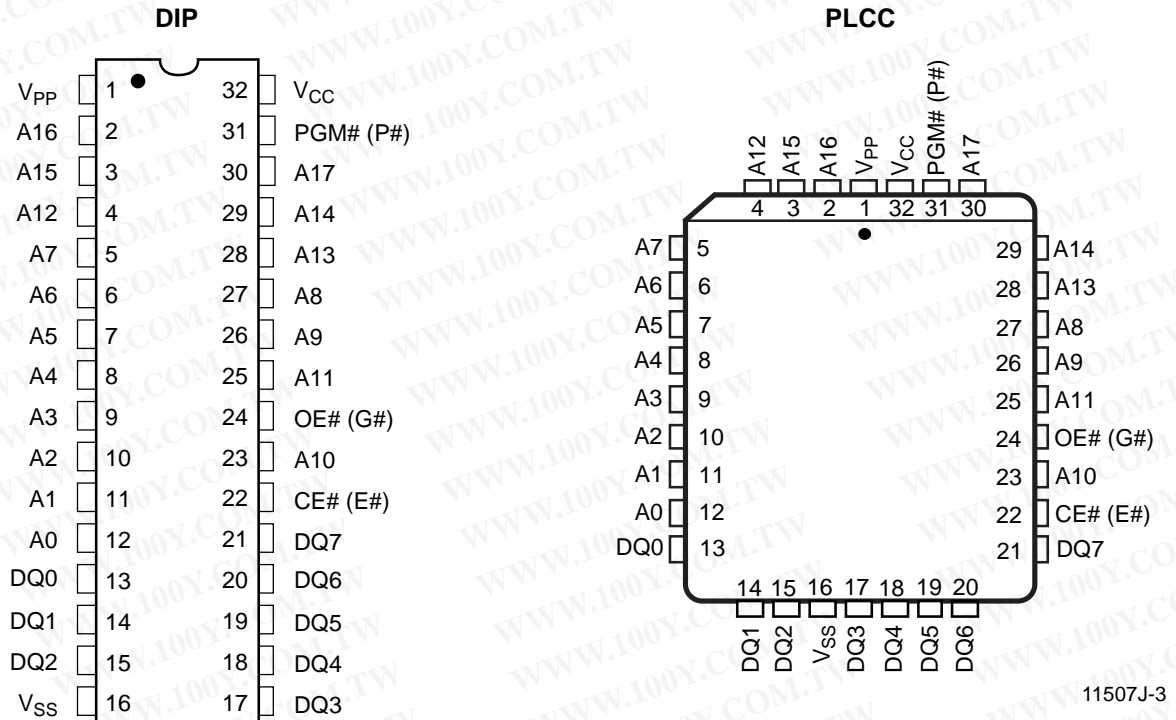
11507J-1

## PRODUCT SELECTOR GUIDE

Family Part Number		Am27C020						
Speed Options	$V_{CC} = 5.0\text{ V} \pm 5\%$	-55	-75					-255
	$V_{CC} = 5.0\text{ V} \pm 10\%$	55	-70	-90	-120	-150	-200	
Max Access Time (ns)		55	70	90	120	150	200	250
CE# (E#) Access (ns)		55	70	90	120	150	200	250
OE# (G#) Access (ns)		35	40	40	50	65	75	100

## CONNECTION DIAGRAMS

### Top View



11507J-2

11507J-3

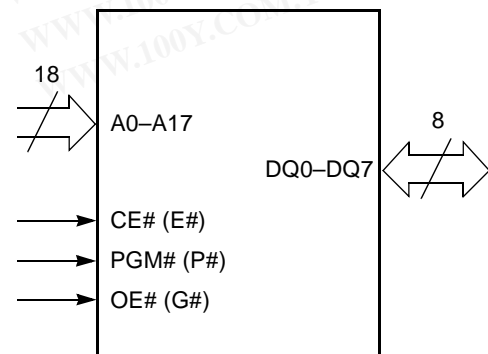
#### Notes:

- JEDEC nomenclature is in parenthesis.
- The 32-pin DIP to 32-pin PLCC configuration varies from the JEDEC 28-pin DIP to 32-pin PLCC configuration.

## PIN DESIGNATIONS

A0–A17	= Address Inputs
CE# (E#)	= Chip Enable Input
DQ0–DQ7	= Data Input/Outputs
OE# (G#)	= Output Enable Input
PGM# (P#)	= Program Enable Input
$V_{CC}$	= $V_{CC}$ Supply Voltage
$V_{PP}$	= Program Voltage Input
$V_{SS}$	= Ground

## LOGIC SYMBOL

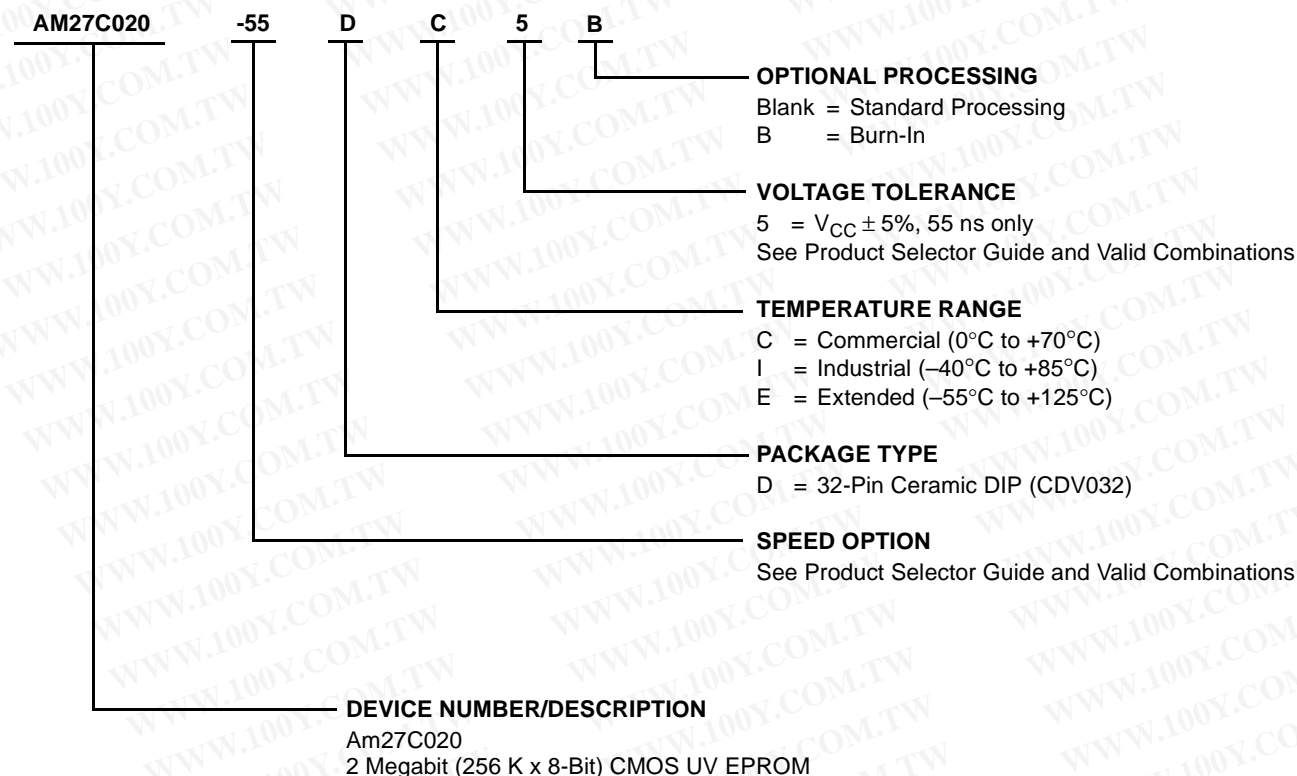


11507J-4

## ORDERING INFORMATION

### UV EPROM Products

AMD standard products are available in several packages and operating ranges. The order number (Valid Combination) is formed by a combination of the following:



#### Valid Combinations

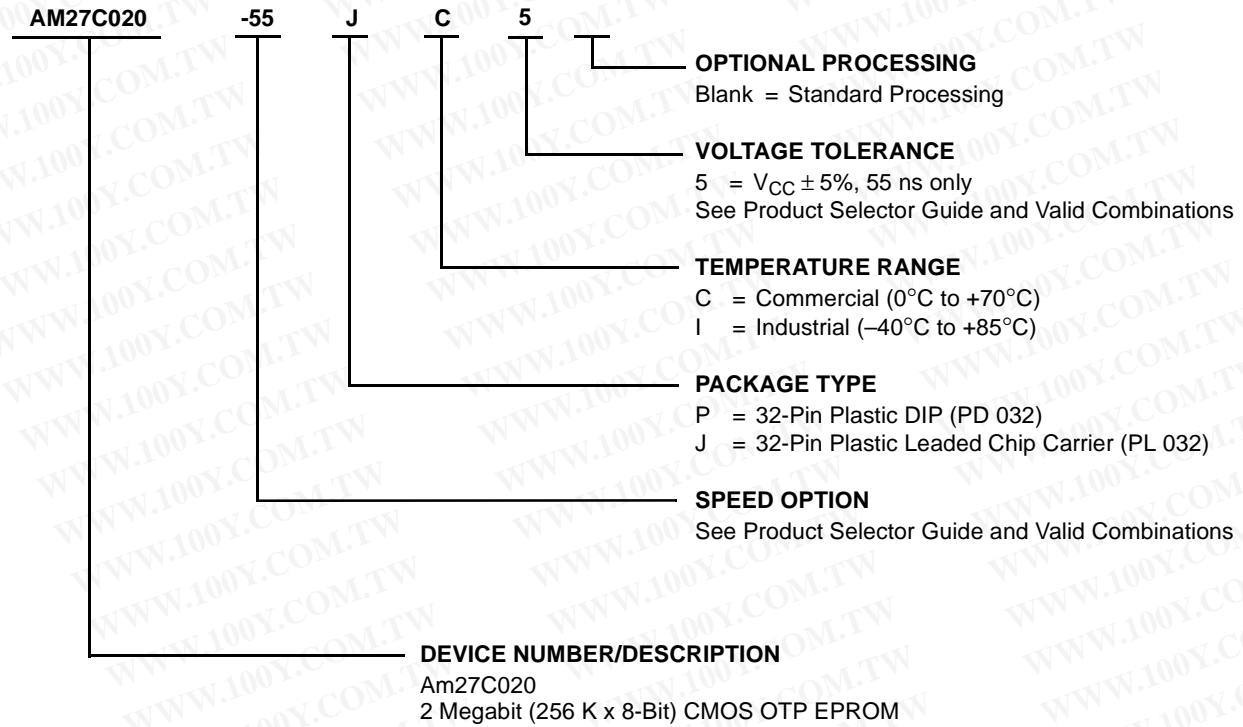
Valid Combinations list configurations planned to be supported in volume for this device. Consult the local AMD sales office to confirm availability of specific valid combinations and to check on newly released combinations.

Valid Combinations	
AM27C020-55 $V_{CC} = 5.0 \text{ V} \pm 5\%$	DC5, DC5B, DI5, DI5B
AM27C020-55 $V_{CC} = 5.0 \text{ V} \pm 10\%$	DC, DCB, DI, DIB
AM27C020-70	
AM27C020-90	
AM27C020-120	DC, DCB, DI, DIB, DE, DEB
AM27C020-150	
AM27C020-200	
AM27C020-255 $V_{CC} = 5.0 \text{ V} \pm 5\%$	DC, DCB, DI, DIB

**ORDERING INFORMATION**

**OTP EPROM Products**

AMD standard products are available in several packages and operating ranges. The order number (Valid Combination) is formed by a combination of the following:



**Valid Combinations**

Valid Combinations list configurations planned to be supported in volume for this device. Consult the local AMD sales office to confirm availability of specific valid combinations and to check on newly released combinations.

Valid Combinations	
AM27C020-55 $V_{CC} = 5.0 V \pm 5\%$	PC5, PI5, JC5, JI5
AM27C020-55 $V_{CC} = 5.0 V \pm 10\%$	JC, PC, JI, PI
AM27C020-70	
AM27C020-90	
AM27C020-120	
AM27C020-150	
AM27C020-200	
AM27C020-255 $V_{CC} = 5.0 V \pm 5\%$	

## FUNCTIONAL DESCRIPTION

### Device Erasure

In order to clear all locations of their programmed contents, the device must be exposed to an ultraviolet light source. A dosage of 15 W seconds/cm<sup>2</sup> is required to completely erase the device. This dosage can be obtained by exposure to an ultraviolet lamp—wavelength of 2537 Å—with intensity of 12,000 μW/cm<sup>2</sup> for 15 to 20 minutes. The device should be directly under and about one inch from the source, and all filters should be removed from the UV light source prior to erasure.

Note that all UV erasable devices will erase with light sources having wavelengths shorter than 4000 Å, such as fluorescent light and sunlight. Although the erasure process happens over a much longer time period, exposure to any light source should be prevented for maximum system reliability. Simply cover the package window with an opaque label or substance.

### Device Programming

Upon delivery, or after each erasure, the device has all of its bits in the “ONE”, or HIGH state. “ZEROS” are loaded into the device through the programming procedure.

The device enters the programming mode when 12.75 V ± 0.25 V is applied to the V<sub>PP</sub> pin, and CE# and PGM# are at V<sub>IL</sub> and OE# is at V<sub>IH</sub>.

For programming, the data to be programmed is applied 8 bits in parallel to the data pins.

The flowchart in the Programming section of the EPROM Products Data Book (Section 5, Figure 5-1) shows AMD's Flashrite algorithm. The Flashrite algorithm reduces programming time by using a 100 μs programming pulse and by giving each address only as many pulses to reliably program the data. After each pulse is applied to a given address, the data in that address is verified. If the data does not verify, additional pulses are given until it verifies or the maximum pulses allowed is reached. This process is repeated while sequencing through each address of the device. This part of the algorithm is done at V<sub>CC</sub> = 6.25 V to assure that each EPROM bit is programmed to a sufficiently high threshold voltage. After the final address is completed, the entire EPROM memory is verified at V<sub>CC</sub> = V<sub>PP</sub> = 5.25 V.

Please refer to Section 5 of the EPROM Products Data Book for additional programming information and specifications.

### Program Inhibit

Programming different data to multiple devices in parallel is easily accomplished. Except for CE#, all like inputs of the devices may be common. A TTL low-level program pulse applied to one device's CE# input with

V<sub>PP</sub> = 12.75 V ± 0.25 V and PGM# LOW, and OE# HIGH will program that particular device. A high-level CE# input inhibits the other devices from being programmed.

### Program Verify

A verification should be performed on the programmed bits to determine that they were correctly programmed. The verify should be performed with OE# and CE#, at V<sub>IL</sub>, PGM# at V<sub>IH</sub>, and V<sub>PP</sub> between 12.5 V and 13.0 V.

### Autoselect Mode

The autoselect mode provides manufacturer and device identification through identifier codes on DQ0–DQ7. This mode is primarily intended for programming equipment to automatically match a device to be programmed with its corresponding programming algorithm. This mode is functional in the 25°C ± 5°C ambient temperature range that is required when programming the device.

To activate this mode, the programming equipment must force V<sub>H</sub> on address line A9. Two identifier bytes may then be sequenced from the device outputs by toggling address line A0 from V<sub>IL</sub> to V<sub>IH</sub> (that is, changing the address from 00h to 01h). All other address lines must be held at V<sub>IL</sub> during the autoselect mode.

Byte 0 (A0 = V<sub>IL</sub>) represents the manufacturer code, and Byte 1 (A0 = V<sub>IH</sub>), the device identifier code. Both codes have odd parity, with DQ7 as the parity bit.

### Read Mode

To obtain data at the device outputs, Chip Enable (CE#) and Output Enable (OE#) must be driven low. CE# controls the power to the device and is typically used to select the device. OE# enables the device to output data, independent of device selection. Addresses must be stable for at least t<sub>ACC</sub>–t<sub>OE</sub>. Refer to the Switching Waveforms section for the timing diagram.

### Standby Mode

The device enters the CMOS standby mode when CE# is at V<sub>CC</sub> ± 0.3 V. Maximum V<sub>CC</sub> current is reduced to 100 μA. The device enters the TTL-standby mode when CE# is at V<sub>IH</sub>. Maximum V<sub>CC</sub> current is reduced to 1.0 mA. When in either standby mode, the device places its outputs in a high-impedance state, independent of the OE# input.

### Output OR-Tieing

To accommodate multiple memory connections, a two-line control function provides:

- Low memory power dissipation, and
- Assurance that output bus contention will not occur.

CE# should be decoded and used as the primary device-selecting function, while OE# be made a common connection to all devices in the array and connected to the READ line from the system control bus. This assures that all deselected memory devices are in their low-power standby mode and that the output pins are only active when data is desired from a particular memory device.

### System Applications

During the switch between active and standby conditions, transient current peaks are produced on the ris-

ing and falling edges of Chip Enable. The magnitude of these transient current peaks is dependent on the output capacitance loading of the device. At a minimum, a 0.1  $\mu\text{F}$  ceramic capacitor (high frequency, low inherent inductance) should be used on each device between  $V_{\text{CC}}$  and  $V_{\text{SS}}$  to minimize transient effects. In addition, to overcome the voltage drop caused by the inductive effects of the printed circuit board traces on EPROM arrays, a 4.7  $\mu\text{F}$  bulk electrolytic capacitor should be used between  $V_{\text{CC}}$  and  $V_{\text{SS}}$  for each eight devices. The location of the capacitor should be close to where the power supply is connected to the array.

### MODE SELECT TABLE

Mode	CE#	OE#	PGM#	A0	A9	V <sub>PP</sub>	Outputs	
Read	V <sub>IL</sub>	V <sub>IL</sub>	X	X	X	X	D <sub>OUT</sub>	
Output Disable	X	V <sub>IH</sub>	X	X	X	X	High Z	
Standby (TTL)	V <sub>IH</sub>	X	X	X	X	X	High Z	
Standby (CMOS)	V <sub>CC</sub> $\pm$ 0.3 V	X	X	X	X	X	High Z	
Program	V <sub>IL</sub>	V <sub>IH</sub>	V <sub>IL</sub>	X	X	V <sub>PP</sub>	D <sub>IN</sub>	
Program Verify	V <sub>IL</sub>	V <sub>IL</sub>	V <sub>IH</sub>	X	X	V <sub>PP</sub>	D <sub>OUT</sub>	
Program Inhibit	V <sub>IH</sub>	X	X	X	X	V <sub>PP</sub>	High Z	
Autoselect (Note 3)	Manufacturer Code	V <sub>IL</sub>	V <sub>IL</sub>	X	V <sub>IL</sub>	V <sub>H</sub>	X	01h
	Device Code	V <sub>IL</sub>	V <sub>IL</sub>	X	V <sub>IH</sub>	V <sub>H</sub>	X	97h

**Notes:**

1.  $V_H = 12.0 \text{ V} \pm 0.5 \text{ V}$ .
2. X = Either  $V_{IH}$  or  $V_{IL}$ .
3. A1–A8 and A10–17 =  $V_{IL}$
4. See DC Programming Characteristics for  $V_{PP}$  voltage during programming.

勝特力材料 886-3-5753170  
 勝特力电子(上海) 86-21-54151736  
 勝特力电子(深圳) 86-755-83298787  
[Http://www.100y.com.tw](http://www.100y.com.tw)

## ABSOLUTE MAXIMUM RATINGS

Storage Temperature

OTP Products . . . . .  $-65^{\circ}\text{C}$  to  $+125^{\circ}\text{C}$

All Other Products . . . . .  $-65^{\circ}\text{C}$  to  $+150^{\circ}\text{C}$

Ambient Temperature

with Power Applied . . . . .  $-55^{\circ}\text{C}$  to  $+125^{\circ}\text{C}$

Voltage with Respect to  $V_{SS}$

All pins except A9,  $V_{PP}$ ,  $V_{CC}$  . . .  $-0.6\text{ V}$  to  $V_{CC} + 0.6\text{ V}$

A9 and  $V_{PP}$  (Note 2) . . . . .  $-0.6\text{ V}$  to  $13.5\text{ V}$

$V_{CC}$  (Note 1) . . . . .  $-0.6\text{ V}$  to  $7.0\text{ V}$

### Notes:

1. Minimum DC voltage on input or I/O pins  $-0.5\text{ V}$ . During voltage transitions, the input may overshoot  $V_{SS}$  to  $-2.0\text{ V}$  for periods of up to  $20\text{ ns}$ . Maximum DC voltage on input and I/O pins is  $V_{CC} + 5\text{ V}$ . During voltage transitions, input and I/O pins may overshoot to  $V_{CC} + 2.0\text{ V}$  for periods up to  $20\text{ ns}$ .
2. Minimum DC input voltage on A9 is  $-0.5\text{ V}$ . During voltage transitions, A9 and  $V_{PP}$  may overshoot  $V_{SS}$  to  $-2.0\text{ V}$  for periods of up to  $20\text{ ns}$ . A9 and  $V_{PP}$  must not exceed  $+13.5\text{ V}$  at any time.

Stresses above those listed under "Absolute Maximum Ratings" may cause permanent damage to the device. This is a stress rating only; functional operation of the device at these or any other conditions above those indicated in the operational sections of this specification is not implied. Exposure of the device to absolute maximum ratings for extended periods may affect device reliability.

## OPERATING RANGES

### Commercial (C) Devices

Ambient Temperature ( $T_A$ ) . . . . .  $0^{\circ}\text{C}$  to  $+70^{\circ}\text{C}$

### Industrial (I) Devices

Ambient Temperature ( $T_A$ ) . . . . .  $-40^{\circ}\text{C}$  to  $+85^{\circ}\text{C}$

### Extended (E) Devices

Ambient Temperature ( $T_A$ ) . . . . .  $-55^{\circ}\text{C}$  to  $+125^{\circ}\text{C}$

### Supply Read Voltages

$V_{CC}$  for  $\pm 5\%$  devices . . . . .  $+4.75\text{ V}$  to  $+5.25\text{ V}$

$V_{CC}$  for  $\pm 10\%$  devices . . . . .  $+4.50\text{ V}$  to  $+5.50\text{ V}$

Operating ranges define those limits between which the functionality of the device is guaranteed.

勝特力材料 886-3-5753170  
 勝特力电子(上海) 86-21-54151736  
 勝特力电子(深圳) 86-755-83298787  
[Http://www.100y.com.tw](http://www.100y.com.tw)

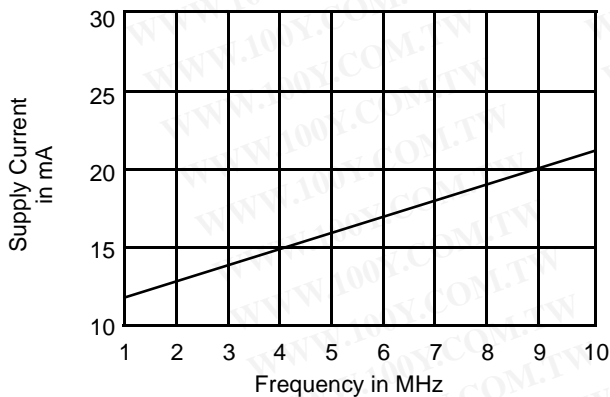
## DC CHARACTERISTICS over operating range (unless otherwise specified)

Parameter Symbol	Parameter Description	Test Conditions	Min	Max	Unit
$V_{OH}$	Output HIGH Voltage	$I_{OH} = -400 \mu A$	2.4		V
$V_{OL}$	Output LOW Voltage	$I_{OL} = 2.1 \text{ mA}$		0.45	V
$V_{IH}$	Input HIGH Voltage		2.0	$V_{CC} + 0.5$	V
$V_{IL}$	Input LOW Voltage		-0.5	+0.8	V
$I_{LI}$	Input Load Current	$V_{IN} = 0 \text{ V to } V_{CC}$		1.0	
$I_{LO}$	Output Leakage Current	$V_{OUT} = 0 \text{ V to } V_{CC}$		5.0	$\mu A$
$I_{CC1}$	$V_{CC}$ Active Current (Note 2)	$CE\# = V_{IL}, f = 10 \text{ MHz}, I_{OUT} = 0 \text{ mA}$	C/I Devices	30	mA
			E Devices	60	
$I_{CC2}$	$V_{CC}$ TTL Standby Current	$CE\# = V_{IH}$		1.0	mA
$I_{CC3}$	$V_{CC}$ CMOS Standby Current	$CE\# = V_{CC} \pm 0.3 \text{ V}$		100	$\mu A$
$I_{PP1}$	$V_{PP}$ Supply Current (Read)	$CE\# = OE\# = V_{IL}, V_{PP} = V_{CC}$		100	$\mu A$

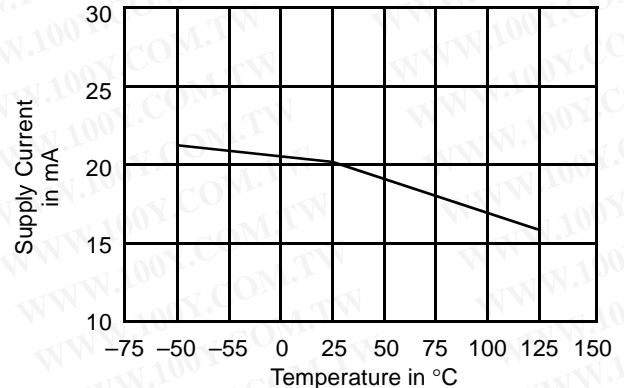
**Caution:** The device must not be removed from (or inserted into) a socket when  $V_{CC}$  or  $V_{PP}$  is applied.

**Notes:**

- $V_{CC}$  must be applied simultaneously or before  $V_{PP}$  and removed simultaneously or after  $V_{PP}$ .
- $I_{CC1}$  is tested with  $OE\# = V_{IH}$  to simulate open outputs.
- Minimum DC Input Voltage is  $-0.5 \text{ V}$ . During transitions, the inputs may overshoot to  $-2.0 \text{ V}$  for periods less than  $20 \text{ ns}$ . Maximum DC Voltage on output pins is  $V_{CC} + 0.5 \text{ V}$ , which may overshoot to  $V_{CC} + 2.0 \text{ V}$  for periods less than  $20 \text{ ns}$ .



11507J-5



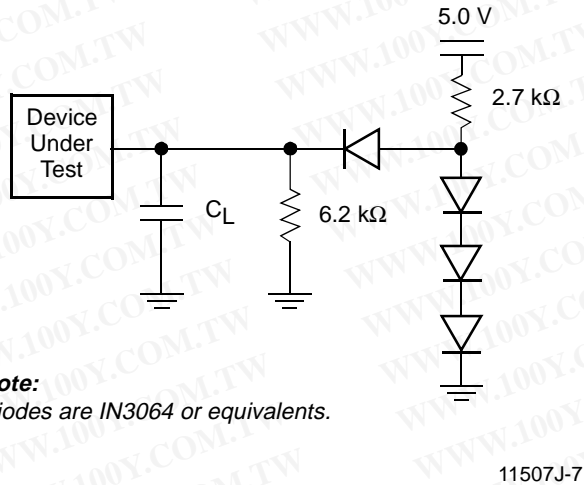
11507J-6

**Figure 1. Typical Supply Current vs. Frequency**  
 $V_{CC} = 5.5 \text{ V}, T = 25^\circ \text{C}$

**Figure 2. Typical Supply Current vs. Temperature**  
 $V_{CC} = 5.5 \text{ V}, f = 10 \text{ MHz}$

勝特力材料 886-3-5753170  
 勝特力电子(上海) 86-21-54151736  
 勝特力电子(深圳) 86-755-83298787  
 Http://www.100y.com.tw

TEST CONDITIONS



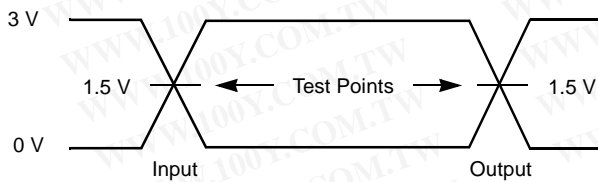
**Note:**  
 Diodes are IN3064 or equivalents.

Figure 3. Test Setup

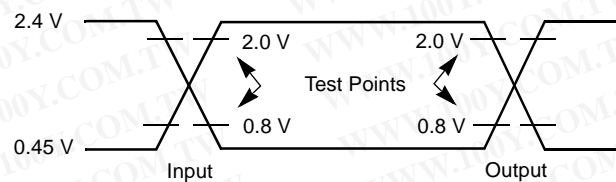
Table 1. Test Specifications

Test Condition	-55	All	Unit
Output Load	1 TTL gate		
Output Load Capacitance, $C_L$ (including jig capacitance)	30	100	pF
Input Rise and Fall Times	$\leq 20$		ns
Input Pulse Levels	0.0–3.0	0.45–2.4	V
Input timing measurement reference levels	1.5	0.8, 2.0	V
Output timing measurement reference levels	1.5	0.8, 2.0	V

SWITCHING TEST WAVEFORM



**Note:** For  $C_L = 30$  pF.



**Note:** For  $C_L = 100$  pF.

11507J-8

KEY TO SWITCHING WAVEFORMS

WAVEFORM	INPUTS	OUTPUTS
	Steady	
	Changing from H to L	
	Changing from L to H	
	Don't Care, Any Change Permitted	Changing, State Unknown
	Does Not Apply	Center Line is High Impedance State (High Z)

KS000010-PAL

AC CHARACTERISTICS

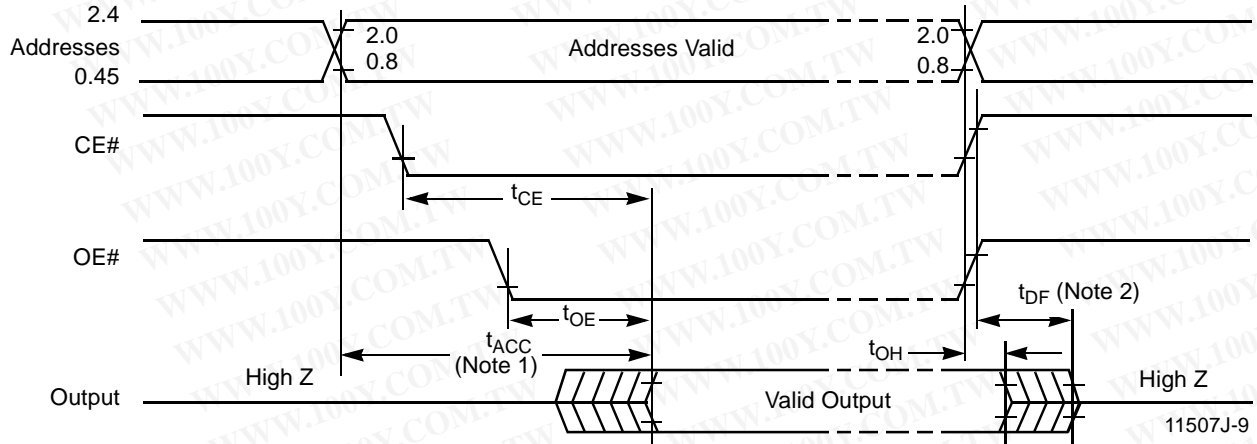
Parameter Symbols		Description	Test Setup	Am27C020								Unit
JEDEC	Standard			-55	-75 -70	-90	-120	-150	-200	-255		
$t_{AVQV}$	$t_{ACC}$	Address to Output Delay	CE#, OE# = $V_{IL}$	Max	55	70	90	120	150	200	250	ns
$t_{ELQV}$	$t_{CE}$	Chip Enable to Output Delay	OE# = $V_{IL}$	Max	55	70	90	120	150	200	250	ns
$t_{GLQV}$	$t_{OE}$	Output Enable to Output Delay	CE# = $V_{IL}$	Max	40	40	40	50	65	75	100	ns
$t_{EHQZ}$ $t_{GHQZ}$	$t_{DF}$ (Note 2)	Chip Enable High or Output Enable High to Output High Z, Whichever Occurs First		Max	25	25	25	30	30	40	60	ns
$t_{AXQX}$	$t_{OH}$	Output Hold Time from Addresses, CE# or OE#, Whichever Occurs First		Min	0	0	0	0	0	0	0	ns

**Caution:** Do not remove the device from (or insert it into) a socket or board that has  $V_{PP}$  or  $V_{CC}$  applied.

**Notes:**

- $V_{CC}$  must be applied simultaneously or before  $V_{PP}$  and removed simultaneously or after  $V_{PP}$
- This parameter is sampled and not 100% tested.
- Switching characteristics are over operating range, unless otherwise specified.
- See Figure 3 and Table 1 for test specifications.

SWITCHING WAVEFORMS



**Notes:**

- OE# may be delayed up to  $t_{ACC} - t_{OE}$  after the falling edge of the addresses without impact on  $t_{ACC}$ .
- $t_{DF}$  is specified from OE# or CE#, whichever occurs first.

PACKAGE CAPACITANCE

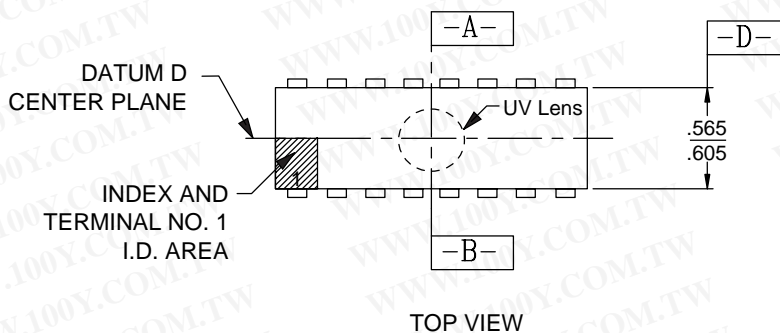
Parameter Symbol	Parameter Description	Test Conditions	CDV032		PD 032		PL 032		Unit
			Typ	Max	Typ	Max	Typ	Max	
$C_{IN}$	Input Capacitance	$V_{IN} = 0$	10	12	10	12	8	10	pF
$C_{OUT}$	Output Capacitance	$V_{OUT} = 0$	12	15	12	15	9	12	pF

**Notes:**

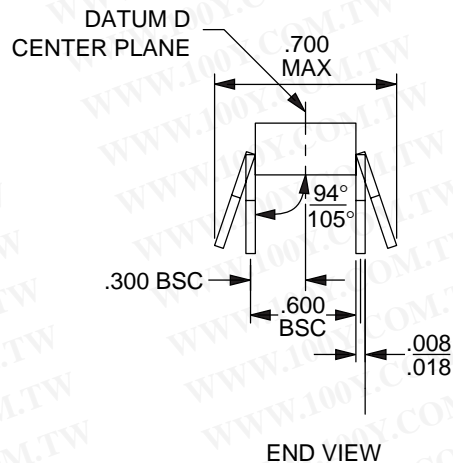
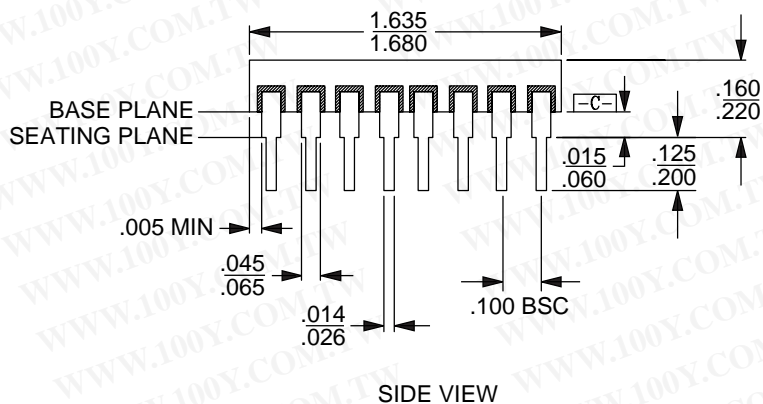
- This parameter is only sampled and not 100% tested.
- $T_A = +25^\circ C$ ,  $f = 1$  MHz.

**PHYSICAL DIMENSIONS\***

**CDV032—32-Pin Ceramic Dual In-Line Package, UV Lens (measured in inches)**



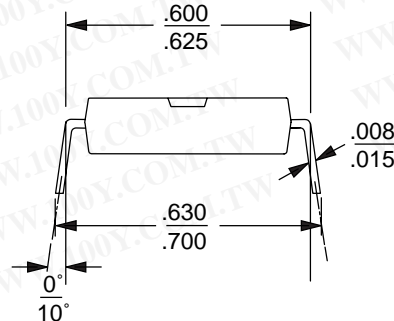
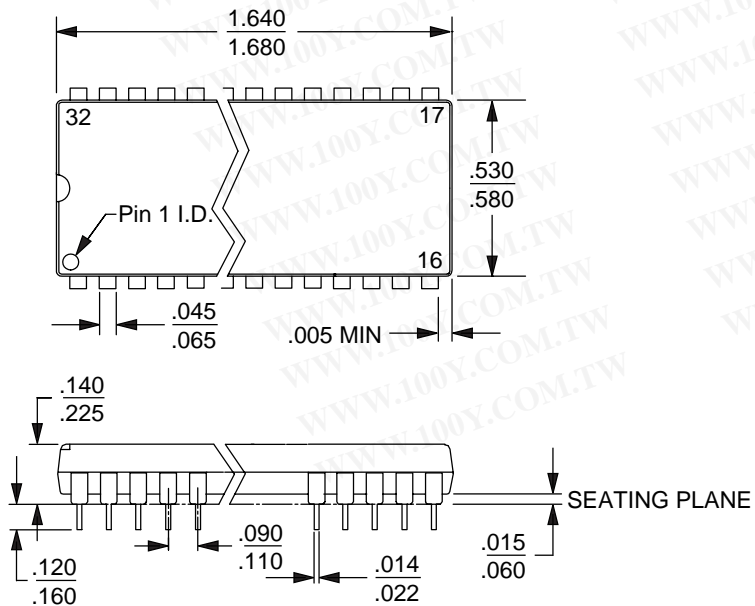
勝特力材料 886-3-5753170  
 勝特力电子(上海) 86-21-54151736  
 勝特力电子(深圳) 86-755-83298787  
[Http://www.100y.com.tw](http://www.100y.com.tw)



16-000038H-3  
 CDV032  
 DF11  
 3-30-95 ae

\* For reference only. BSC is an ANSI standard for Basic Space Centering.

**PD 032—32-Pin Plastic Dual In-Line Package (measured in inches)**



16-038-SB\_AG  
 PD 032  
 DG75  
 2-28-95 ae

