



www.maxim-ic.com

DS1402X 1-Wire Network Cables

FEATURES

- Coiled cables to connect iButtons[®] to 1-Wire[®] networks
- Convenient, off-the-shelf connectivity
- Blue Dot Dual Receptors for momentary (F3/F5 MicroCan) or dwelled contact (F5 MicroCan only) with adhesive pad to mount on objects (DS1402D-DB8+, DS1402D-DR8+, each 2.4m max.)
- Touch-and-Hold Probes DS1402-BP8+, DS1402-RP3+ and DS1402-RP8+ for momentary touch (F3/F5 MicroCan) or dwelled contact (F5 MicroCan only) in 2.4m length max.

- iButton cable (DS1402-BR8) to connect DS1401 iButton Holder to USB or serial port 1-Wire adapters.
- Can be used with any Dallas Semiconductor port adapter

ORDERING INFORMATION

DS1402D-DB8+	2.4m (8ft) cable
DS1402D-DR8+	2.4m (8ft) cable
DS1402-BP8+	2.4m (8ft) cable
DS1402-RP3+	0.9m (3ft) cable
DS1402-RP8+	2.4m (8ft) cable
DS1402-BR8+	2.4m (8ft) cable

+ Denotes a lead(Pb)-free/RoHS-compliant product.

DESCRIPTION

Using four basic types of connectors, 1-Wire RJ-11, iButton, Touch-and-Hold Probe, and Blue Dot Receptor, the DS1402 series of 1-Wire network cables provides connectivity for iButtons. The cables are designed to connect any USB, serial, or parallel port 1-Wire adapter to any iButton. Both, the iButton probe cables and the Blue Dot receptor cables can touch any iButton, but can only hold the F5 version iButtons. The DS1402-BR8+ is the only cable that connects to the DS1401 iButton Holder. Applications of the DS1402-series 1-Wire network cables range from software protection and access control to asset management and thermal monitoring through handheld computers.

Connectivity Matrix

Cable Part Number	Connects From	To
DS1402D-DB8+ Blue Dot Receptor Cable	DS1410E, DS1411, DS1413, any version or DS1401	any iButton
DS1402D-DR8+ Blue Dot Receptor Cable	DS9490R, DS9097U (any version), DS9097, DS9097E	any iButton
DS1402-BP8+ iButton Probe Cable	DS1410E, DS1411, DS1413, any version or DS1401	any iButton
DS1402-RP3+, DS1402-RP8+ iButton Probe Cable	DS9490R, DS9097U (any version), DS9097, DS9097E	any iButton
DS1402-BR8+	DS9490R, DS9097U (any version), DS9097, DS9097E	DS1401 Front Panel iButton Holder

iButton and 1-Wire are registered trademarks of Maxim Integrated Products, Inc.

Blue Dot Receptor Cables



DS1402D-DB8+

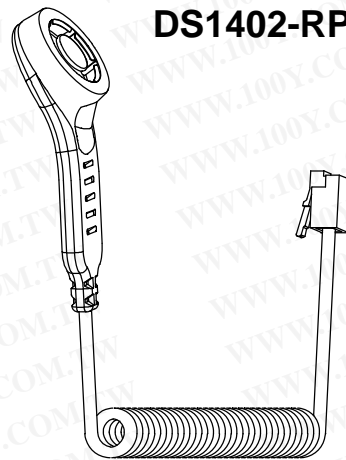
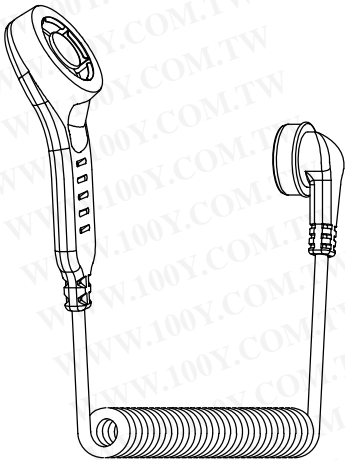
DS1402D-DR8+



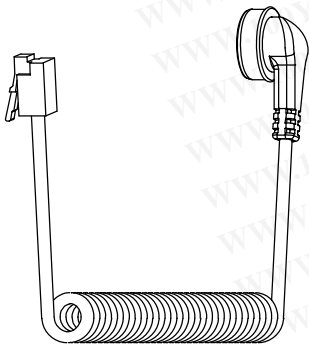
iButton Probe Cables

DS1402-BP8+

DS1402-RP8+
DS1402-RP3+



iButton Holder Cable DS1402-BR8+



REVISION HISTORY

REVISION DATE	DESCRIPTION	PAGES CHANGED
61809	Conversion to lead free. Added the DS1402-RP3+ to the datasheet.	1, 2

勝特力材料 886-3-5753170
勝特力电子(上海) 86-21-34970699
勝特力电子(深圳) 86-755-83298787
[Http://www.100y.com.tw](http://www.100y.com.tw)