

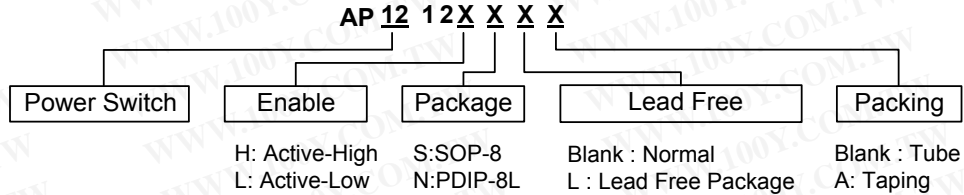


勝特力材料 886-3-5753170
勝特力电子(上海) 86-21-34970699
勝特力电子(深圳) 86-755-83298787
[Http://www.100y.com.tw](http://www.100y.com.tw)

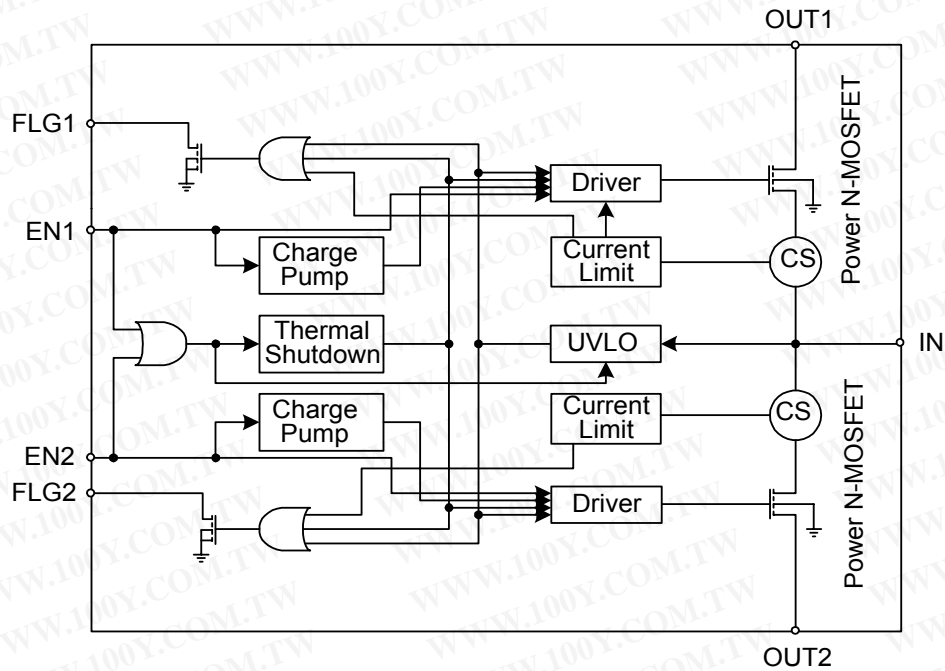
Name	Description
EN1 EN2	Enable: Logic-compatible enable input. (H: active high, L: active low). Do not float.
FLG1 FLG2	Fault Flag: Active-low, open-drain output. Indicates over current, UVLO, and thermal shutdown.
GND	Supply return.
IN	Supply Input: Output MOSFET drain. Also supplies IC's internal circuitry. Connect to positive supply.
OUT1 OUT2	Switch Output: Output MOSFET source. Typically connect to switched side of load.

Dual USB High-Side Power Switch

Ordering Information



Block Diagram



Absolute Maximum Ratings (Note 1)

Symbol	Parameter	Rating	Unit
V_{IN}	Supply Voltage	+7	V
V_{FLG}	Fault Flag Voltage	+7	V
I_{FLG}	Fault Flag Current	50	mA
V_{OUT}	Output Voltage	+7	V
V_{EN}	Control Input Range	-0.3 to $V_{IN} + 2$	V
T_{ST}	Storage Temperature	-65 to +150	°C
T_{LEAD}	Lead Temperature	260	°C
ESD Rating	Note 3	4	KV



勝特力材料 886-3-5753170
 勝特力电子(上海) 86-21-34970699
 勝特力电子(深圳) 86-755-83298787
[Http://www.100y.com.tw](http://www.100y.com.tw)

AP1212

Dual USB High-Side Power Switch

■ Operating Ratings (Note 2)

Symbol	Parameter	Rating	Unit
V_{IN}	Supply Voltage	+2.7 to +5.5	V
T_A	Ambient Operating Temperature	-40 to +85	$^{\circ}C$
θ_{JA}	Thermal Resistance SOP	120	$^{\circ}C/W$
θ_{JA}	Thermal Resistance PDIP	100	$^{\circ}C/W$

■ Electrical Characteristics (Under the conditions of $V_{IN}=+5V$ and $T_A=25^{\circ}C$, unless otherwise specified.)

Symbol	Parameter	Conditions	Min.	Typ.	Max.	Unit
I_{CC}	Supply Current	switch off, OUT = open (Note 4)		0.50	5	μA
		all switches on, OUT = open (Note 4)		110	160	μA
V_{IT}	Enable Input Threshold	(Note 4)	0.8	1.7	2.40	V
I_{EN}	Enable Input Current	$V_{EN}=0V$ to 5.5V	-1	± 0.01	1	μA
C_{EN}	Enable Input Capacitance			1		pF
$R_{DS(ON)}$	Switch Resistance	$V_{IN}=2.7V \sim 5.5V$, $I_{OUT}=500mA$, each switch		110	140	m Ω
T_{OND}	Output Turn-On Delay	$R_L=10\Omega$ each output		30		μS
T_R	Output Turn-On Rise Time	$R_L=10\Omega$ each output		1		mS
T_{OFFD}	Output Turnoff Delay	$R_L=10\Omega$ each output		0.5	10	μS
T_F	Output Turnoff Fall Time	$R_L=10\Omega$ each output		0.5	10	μS
I_{LEAK}	Output Leakage Current	each output (output disabled)			10	μA
I_{OUT}	Continuous Load Current	each output	0.6			A
I_{OS}	Short-circuit Current Limit	Each output (enable into load), $V_{OUT}=0V$	0.8	1.0	1.25	A
I_{LIM}	Current-Limit Threshold	Ramped load applied to enabled output	1.0	1.2	1.4	A
T_{TS}	Over-temperature Shutdown Threshold	T_J increasing		140		$^{\circ}C$
		T_J decreasing		130		$^{\circ}C$
R_{FO}	Error Flag Output Resistance	$V_{IN}=5V$, $I_L=10mA$		10	25	Ω
		$V_{IN}=3.3V$, $I_L=10mA$		15	40	Ω
I_{FOH}	Error Flag Off Current	$V_{FLAG}=5V$		0.01	1	μA
UVLO	UVLO Threshold	V_{IN} = increasing		2.5		V
		V_{IN} = decreasing		2.3		V

Note 1. Exceeding the absolute maximum rating may damage the device.

Note 2. The device is not guaranteed to function outside its operating rating.

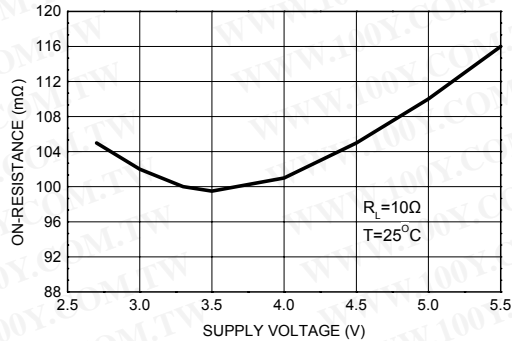
Note 3. Devices are ESD sensitive. Handling precautions are recommended. Human body model, 1.5k in series with 100pF.

Note 4. Off is $V_{EN} \leq 0.8V$ and on is $V_{EN} \geq 2.4V$ for the AP1212H. Off is $V_{EN} \geq 2.4V$ and on is $V_{EN} \leq 0.8V$ for the AP1212L.

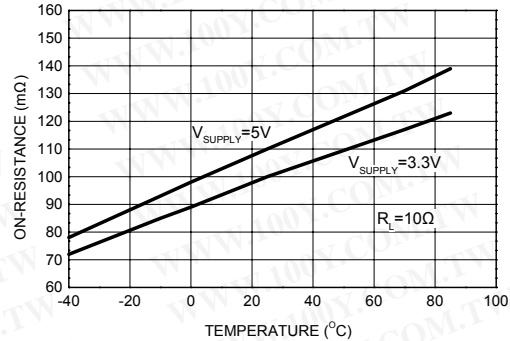
Dual USB High-Side Power Switch

■ Typical Performance Characteristics

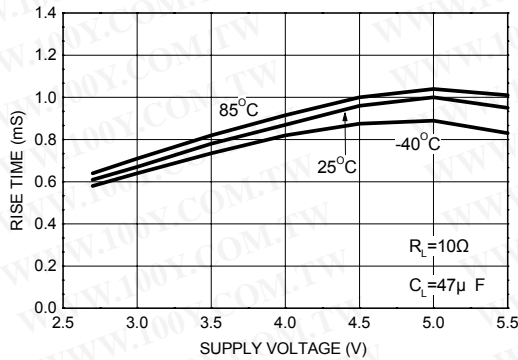
On-Resistance vs. Supply Voltage



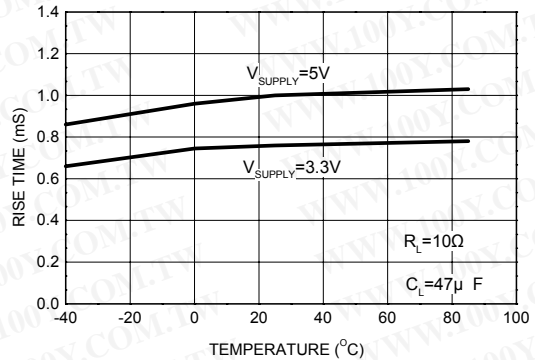
On-Resistance vs. Temperature



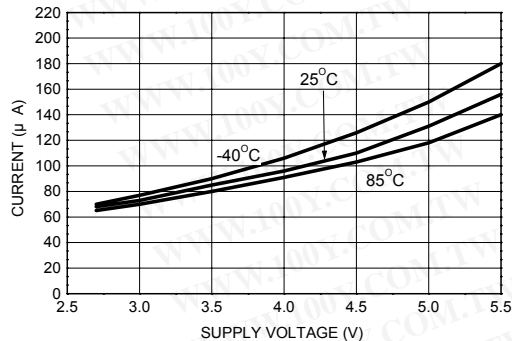
Turn-On Rise Time vs. Supply Voltage



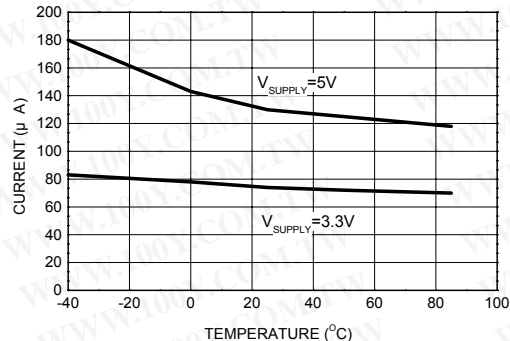
Turn-On Rise Time vs. Temperature



On-Current vs. Supply Voltage



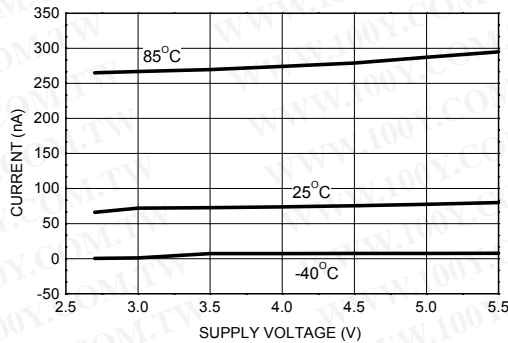
On-Current vs. Temperature



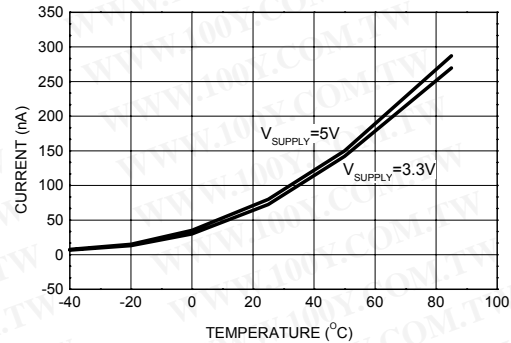
勝特力材料 886-3-5753170
 勝特力电子(上海) 86-21-34970699
 勝特力电子(深圳) 86-755-83298787
[Http://www.100y.com.tw](http://www.100y.com.tw)

Typical Performance Characteristics (Continued)

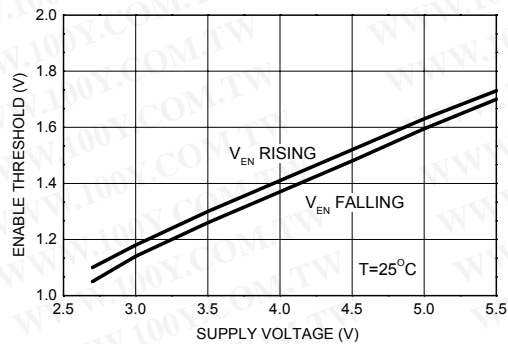
Off-Current vs. Supply Voltage



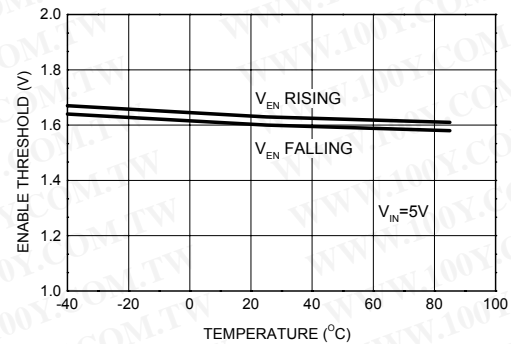
Off-Current vs. Temperature



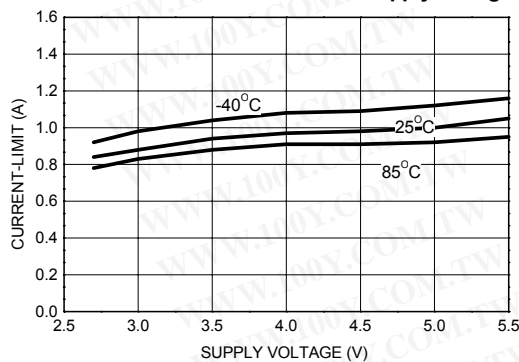
Enable Threshold vs. Supply Voltage



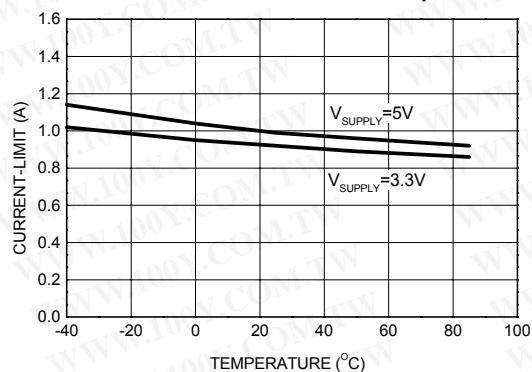
Enable Threshold vs. Temperature



Short-Circuit Current-Limit vs. Supply Voltage

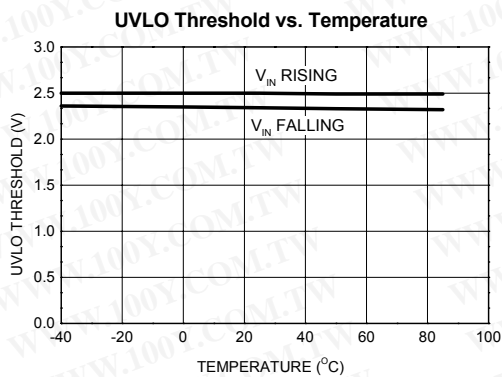
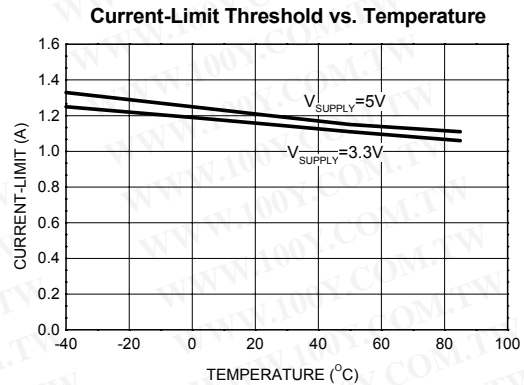
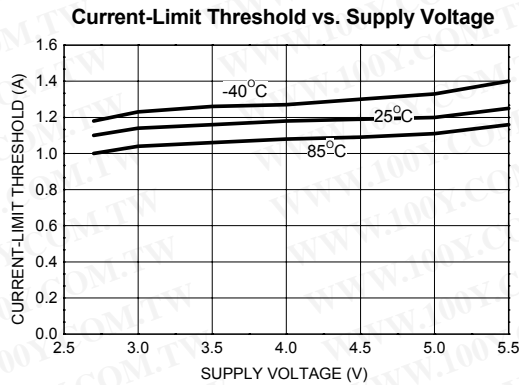


Short-Circuit Current-Limit vs. Temperature



勝特力材料 886-3-5753170
 勝特力电子(上海) 86-21-34970699
 勝特力电子(深圳) 86-755-83298787
[Http://www.100y.com.tw](http://www.100y.com.tw)

■ Typical Performance Characteristics (Continued)



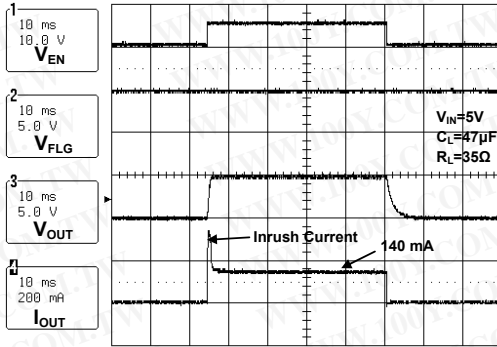
勝特力材料 886-3-5753170
 勝特力电子(上海) 86-21-34970699
 勝特力电子(深圳) 86-755-83298787
[Http://www.100y.com.tw](http://www.100y.com.tw)



Dual USB High-Side Power Switch

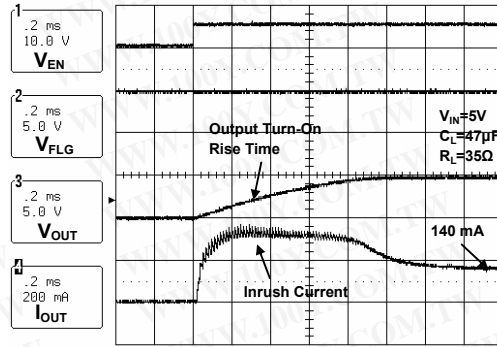
Functional Characteristics

Turn-On/Turn-Off (AP1212H)



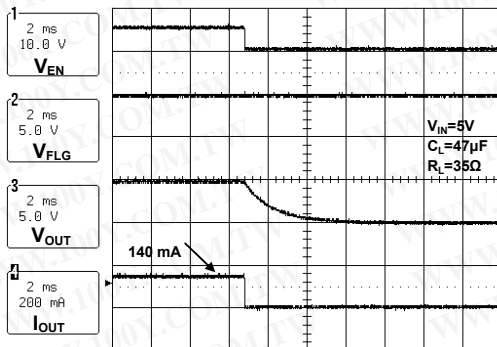
TIME (10mS/div.)

Turn-On (AP1212H)



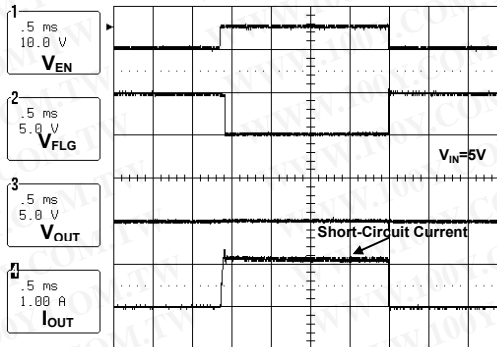
TIME (200μS/div.)

Turn-Off (AP1212H)



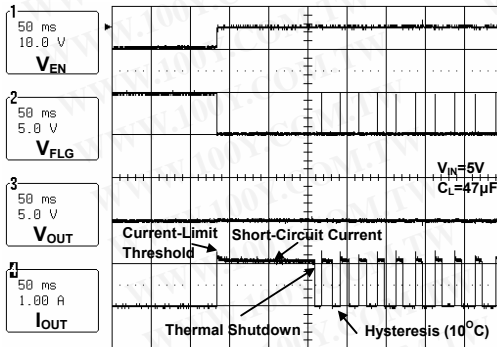
TIME (2mS/div.)

Enabled Into Short (AP1212H)



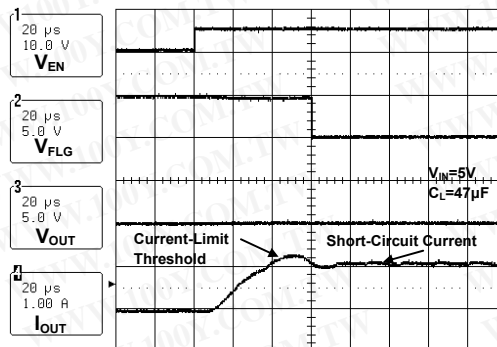
TIME (500μS/div.)

Current-Limit Response (AP1212H)



TIME (50mS/div.)

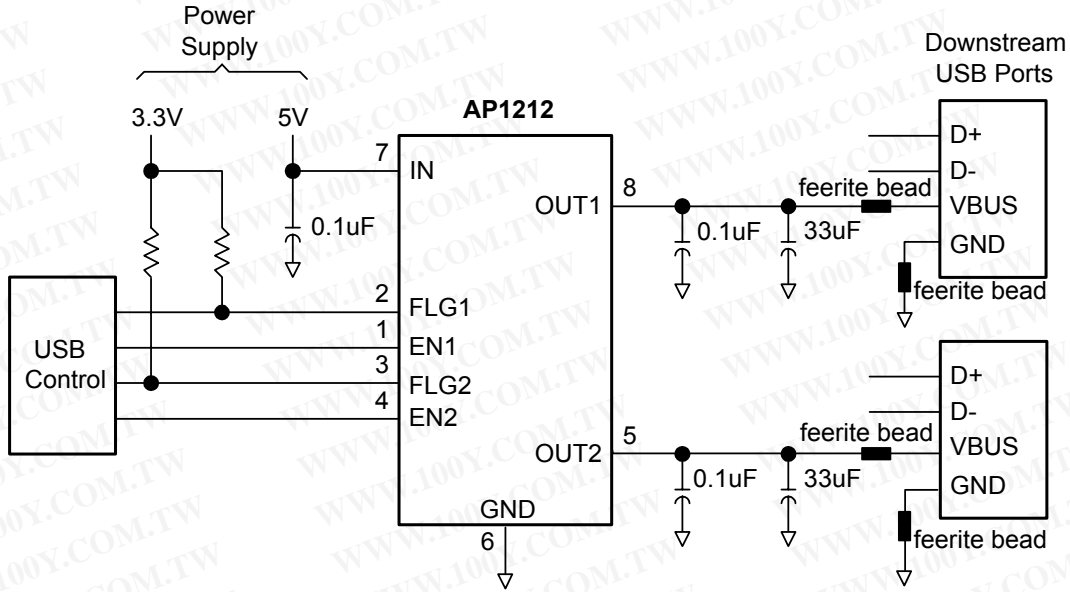
Current-Limit Response (AP1212H)



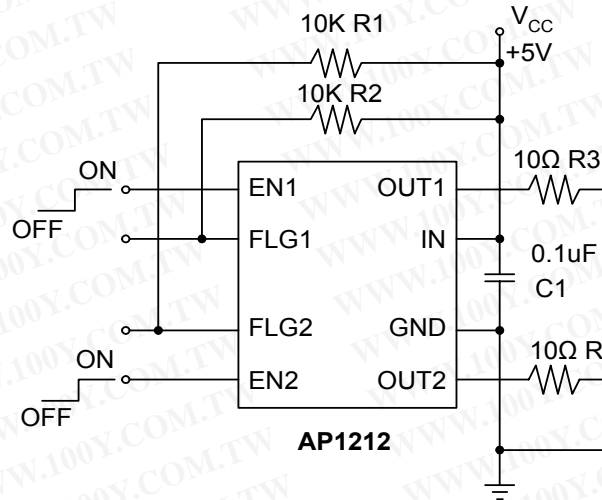
TIME (20μS/div.)

Dual USB High-Side Power Switch

■ Typical Application Circuit



■ Test Circuit



勝特力材料 886-3-5753170
 勝特力电子(上海) 86-21-34970699
 勝特力电子(深圳) 86-755-83298787
[Http://www.100y.com.tw](http://www.100y.com.tw)



勝特力材料 886-3-5753170
 勝特力电子(上海) 86-21-34970699
 勝特力电子(深圳) 86-755-83298787
 Http://www.100y.com.tw

AP1212

Dual USB High-Side Power Switch

■ Function Description

Error Flag

An open-drained output of N-channel MOSFET, the FLG output is pulled low to signal the following fault conditions: input undervoltage, output current limit, and thermal shutdown.

Current Limit

The current limit threshold is preset internally. It protects the output MOSFET switches from damage due to undesirable short circuit conditions or excess inrush current often encountered during hot plug-in. The low limit of the current limit threshold of the AP1212 allows a minimum current of 0.5A through the MOSFET switches. A current limit condition will signal the error flag.

Thermal Shutdown

When the chip temperature exceeds 140°C for any reason other than overcurrent fault of either one of the two MOSFET switches, the thermal shutdown function turns off both MOSFET switches and signal the error flag. A hysteresis of 10°C prevents the MOSFETs from turning back on until the chip temperature drops to below 130°C.

Supply Filtering

A 0.1μF to 1μF bypass capacitor from IN to GND, located near the device, is strongly recommended to control supply transients. Without a bypass capacitor, an output short may cause sufficient ringing on the input (from supply lead inductance) to damage internal control circuitry.

Transient Droop Requirements

USB support dynamic attachment (hot plug-in) of peripherals. A current surge is caused by the input capacitance of downstream device. Ferrite beads are recommended in series with all power and ground connector pins. Ferrite beads reduce EMI and limit the inrush current during hot-attachment by filtering high-frequency signals.

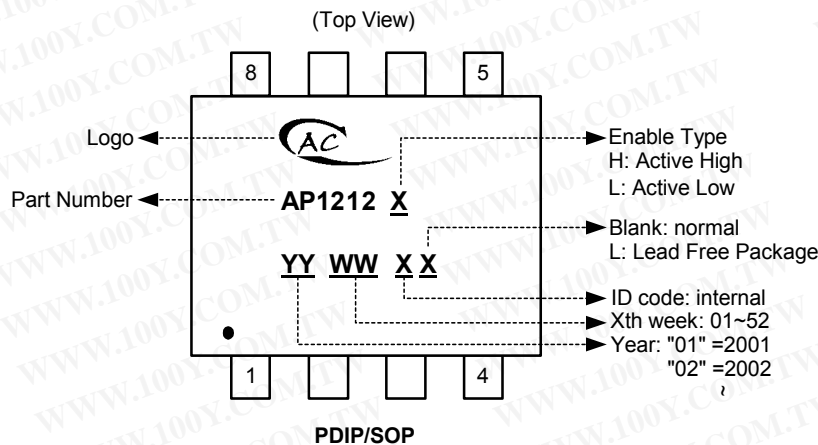
Short Circuit Transient

Bulk capacitance provides the short-term transient current needed during a hot-attachment event. With a 33μF, 16V tantalum or 100μF, 10V electrolytic capacitor mounted close to downstream connector per port should provide transient drop protection.

Printed Circuit Layout

The power circuitry of USB printed circuit boards requires a customized layout to maximize thermal dissipation and to minimize voltage drop and EMI.

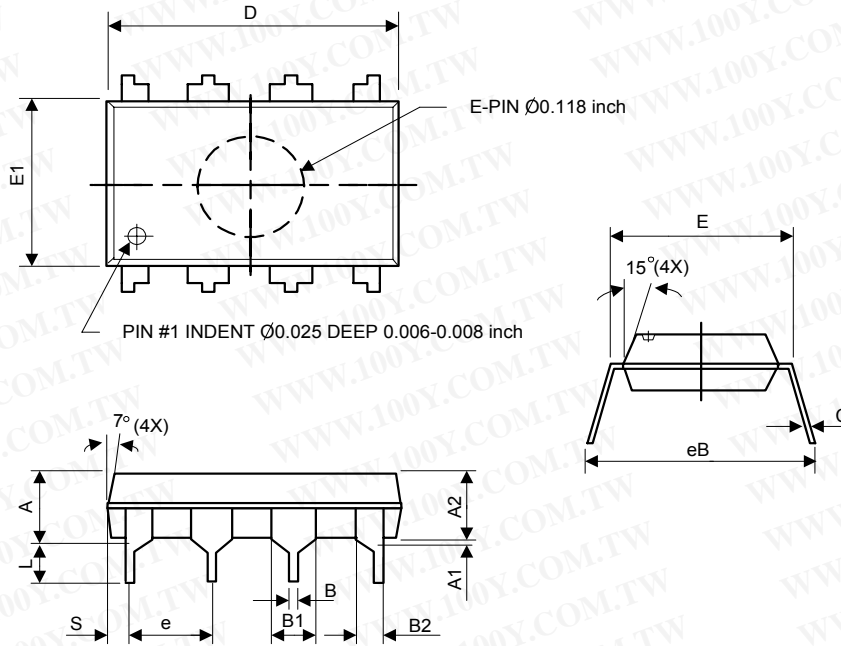
■ Marking Information



Dual USB High-Side Power Switch

■ Package Information

(1) Package Type: PDIP-8L

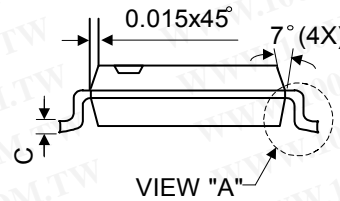
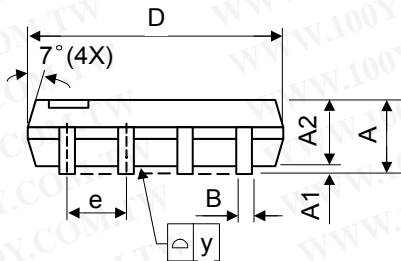
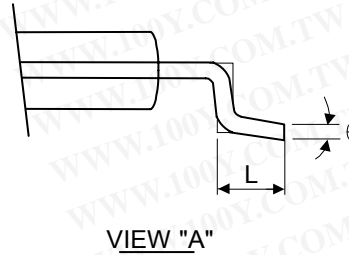
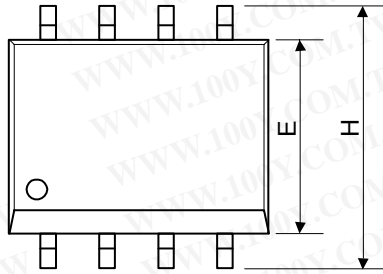


Symbol	Dimensions in millimeters			Dimensions in inches		
	Min.	Nom.	Max.	Min.	Nom.	Max.
A	-	-	5.33	-	-	0.210
A1	0.38	-	-	0.015	-	-
A2	3.1	3.30	3.5	0.122	0.130	0.138
B	0.36	0.46	0.56	0.014	0.018	0.022
B1	1.4	1.52	1.65	0.055	0.060	0.065
B2	0.81	0.99	1.14	0.032	0.039	0.045
C	0.20	0.25	0.36	0.008	0.010	0.014
D	9.02	9.27	9.53	0.355	0.365	0.375
E	7.62	7.94	8.26	0.300	0.313	0.325
E1	6.15	6.35	6.55	0.242	0.250	0.258
e	-	2.54	-	-	0.100	-
L	2.92	3.3	3.81	0.115	0.130	0.150
eB	8.38	8.89	9.40	0.330	0.350	0.370
S	0.71	0.84	0.97	0.028	0.033	0.038

Dual USB High-Side Power Switch

■ Package Information (Continued)

(2) Package Type: SOP-8L



Symbol	Dimensions In Millimeters			Dimensions In Inches		
	Min.	Nom.	Max.	Min.	Nom.	Max.
A	1.40	1.60	1.75	0.055	0.063	0.069
A1	0.10	-	0.25	0.040	-	0.100
A2	1.30	1.45	1.50	0.051	0.057	0.059
B	0.33	0.41	0.51	0.013	0.016	0.020
C	0.19	0.20	0.25	0.0075	0.008	0.010
D	4.80	5.05	5.30	0.189	0.199	0.209
E	3.70	3.90	4.10	0.146	0.154	0.161
e	-	1.27	-	-	0.050	-
H	5.79	5.99	6.20	0.228	0.236	0.244
L	0.38	0.71	1.27	0.015	0.028	0.050
y	-	-	0.10	-	-	0.004
θ	0°	-	8°	0°	-	8°

勝特力材料 886-3-5753170
 勝特力电子(上海) 86-21-34970699
 勝特力电子(深圳) 86-755-83298787
[Http://www.100y.com.tw](http://www.100y.com.tw)