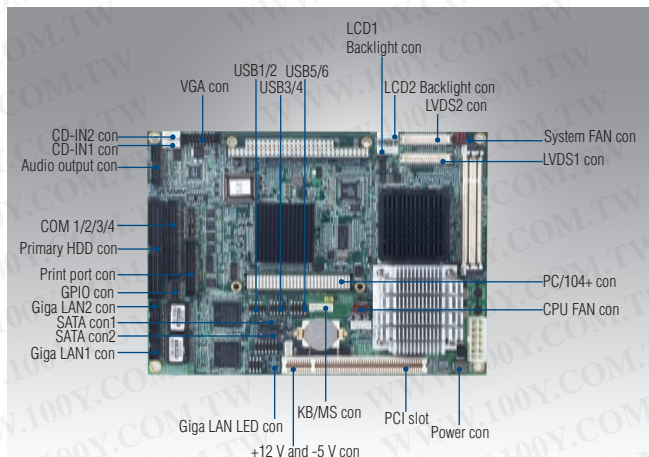


PCM-9584

**Onboard Intel® Pentium® M EBX SBC
with Audio, VGA/2 LVDS (36-bit, 48-bit)/
2 GbE LAN/Audio/4 COM/6 USB/2 SATA**



Features

- Embedded Intel® Pentium® M/ Celeron® M in 400/533 FSB
- Supports 400/533 MHz DDR2 SODIMM
- Integrate Intel Graphics Media Accelerator (GMA) 900
- Supports Dual LCD (48-bit LVDS / 36-bit LVDS/ VGA)
- Supports two Ethernet up to 10/100/1000 Mbps
- Supports 6 x USB 2.0 ports, 4 COMs, 2 x SATA Ports (300 MB/s)
- PC/104-Plus, One PCI Slot, One Mini- PCI slot, 8 bit GPIO
- Wide temperature optional

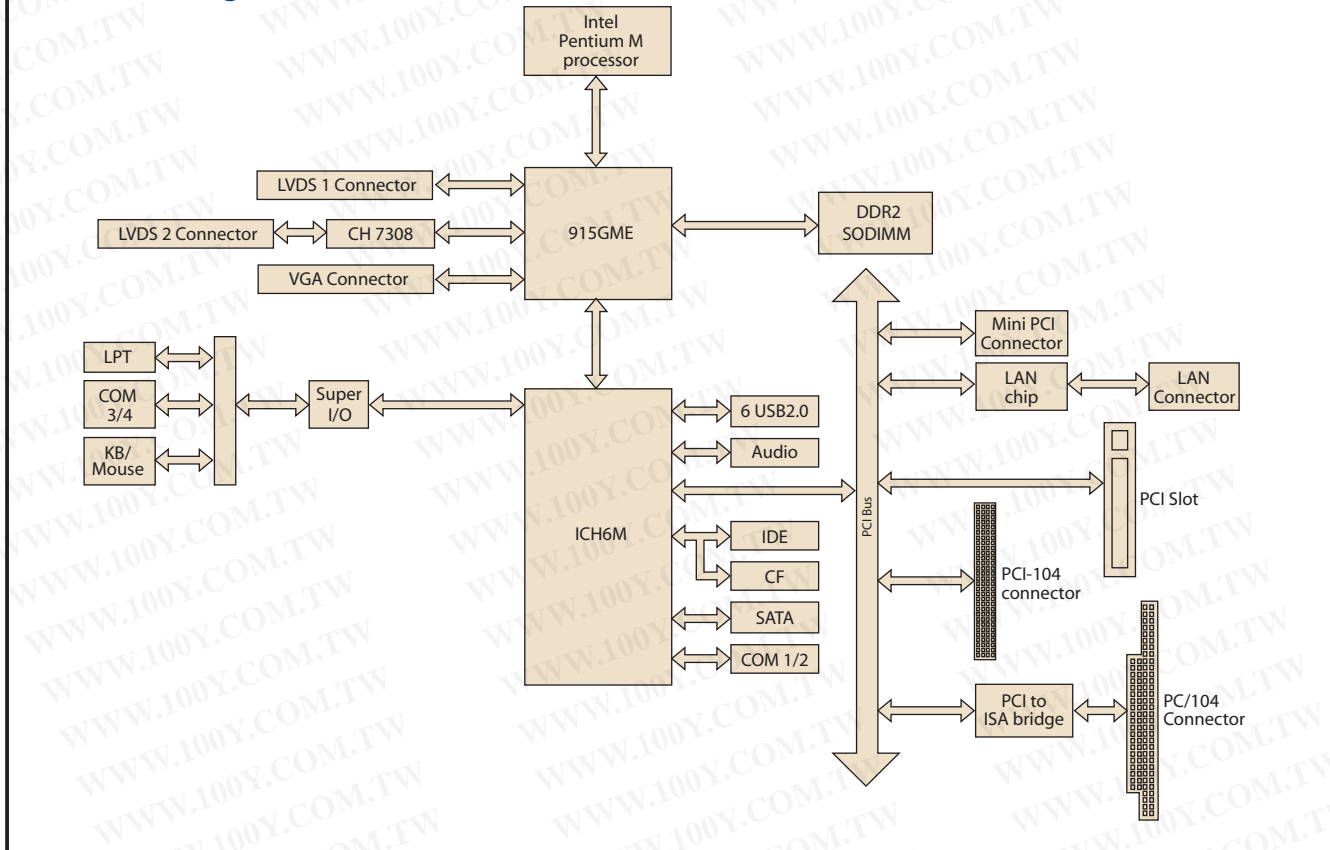
勝特力材料 886-3-5753170
勝特力电子(上海) 86-21-34970699
勝特力电子(深圳) 86-755-83298787
[Http://www.100y.com.tw](http://www.100y.com.tw)



Specifications

Processor System	CPU	Embedded Intel Pentium M 1.4 GHz, Celeron M 1.0 GHz, Socket type	
	Front Side Bus	400/533 MHz	
	L2 Cache	512 KB - 2 MB	
	Chipset	Intel 915GME + ICH6M	
	BIOS	Award 4 Mbit	
Memory	Technology	DDR2 400/533 MHz	
	Max. Capacity	2 GB	
	Socket	2 x 200-pin SODIMM	
SSD	CompactFlash	Card Type I, Type II (shared 2nd IDE Channel)/ USB-DOM (option)	
I/O Interface	LPT	1	
	RS-232	3	
	RS-232/422/485	1	
	K/B	1	
	Mouse	1	
	USB	6 x USB 2.0	
	Audio	AC97, Speaker out, CD-input, Line-in, Line-out, Mic-in	
GPIO	8-bit general purpose input/output		
SATA	Max. Data Transfer Rate	150	
	Channel	2	
EIDE	Mode	UDMA 100	
	Channel	1	
Expansion Slot	PCI	1	
	miniPCI	1	
	PC/104-Plus	1	
Ethernet	Speed	10/100/1000Mbps	
	Controller	2 x BroadCOM BCM5721	
	Interface	RJ-45 by cable	
Display	Controller	Intel 915GME	
	VRAM	Optimized Shared Memory Architecture up to 128 MB system memory	
	LVDS LCD	1 x 36-bit LVDS, 1 x 48-bit LVDS	
Dual Independent Display	CRT + 48-bit LVDS under Windows system, 36-bit LVDS (915GME) + 48-bit LVDS (Chrontel) LCD Panel		
Environment	Operation Temperature	0 ~ 60° C (32 ~ 140° F)	
	Operating Humidity	0% ~ 90% relative humidity, non-condensing	
Power	Power Type	AT / ATX	
	Power Supply Voltage	+5 V ±5%, +12 V ±5%	
	Power Consumption: Typical	Suspend: 1.86 A @ 5 V, 0.48 A @ 12 V (Pentium M with 1.4 GHz)	
		Suspend: 1.87 A @ 5 V, 0.75 A @ 12 V (Pentium M with 2.0 GHz)	
	Power Consumption: Max, test in HCT	2.42 A @ 5 V, 1.01 A @ 12 V (Pentium M with 1.4 GHz)	
		2.43 A @ 5 V, 1.65 A @ 12 V (Pentium M with 2.0 GHz)	
Power Management	APM, ACPI		
Battery	Lithium 3 V / 196 mAh		
Watchdog Timer	Output	System reset	
	Interval	Programmable 1 ~ 255 sec	
Physical Characteristics	Dimensions (L x W)	203 x 146 mm (8" x 5.75")	
	Weight	0.85 kg (1.87 lb) (weight of total package)	

Board Diagram



Ordering Information

Part No.	CPU	L2 Cache	Chipset	SDRAM DIMM	CRT	LVDS1	LVDS2	10/100	Giga LAN	Audio	USB 2.0	RS-232	RS-232/422/485	LPT	FDD	CF	USB-DOM	KB/MS	PCI Slot	Mini PCI	Thermal Solution	Operation Temp.
PCM-9584F-00A2E	Socket 479	--	915GME	2	Yes	36-bit	48-bit	--	1	Yes	6	3	1	Yes	--	Yes	Yes	Yes	1	1	Active	0 ~ 60° C
PCM-9584FG-00A2E	Socket 479	--	915GME	2	Yes	36-bit	48-bit	--	2	Yes	6	3	1	Yes	--	Yes	Yes	Yes	1	1	Active	0 ~ 60° C
PCM-9584FG-S0A2E	Celeron M 1.0 GHz	512 KB	915GME	2	Yes	36-bit	48-bit	--	2	Yes	6	3	1	Yes	--	Yes	Yes	Yes	1	1	Passive	0 ~ 60° C
PCM-9584FG-S4A2E	Pentium M 1.4 GHz	2 MB	915GME	2	Yes	36-bit	48-bit	--	2	Yes	6	3	1	Yes	--	Yes	Yes	Yes	1	1	Passive	0 ~ 60° C
PCM-9584Z-S0A2E	Celeron M 1.0 GHz	512 KB	915GME	2	Yes	36-bit	48-bit	--	2	Yes	6	3	1	Yes	--	Yes	Yes	Yes	1	1	Passive	-20 ~ 80° C

Optional Accessories

Part No.	Description
PCM-10586-9584E	Wiring kit for PCM-9584
1703100260	USB cable (26 cm)
1703100121	USB cable (12 cm)
PCM-110-00A3E	1-slot PCI riser card for 5.25" biscuits
PCM-120-00A3E	2-slot PCI riser card for 5.25" biscuits
PCM-200-00A2E	PCI-104 to PCI bus module
MIO-3120-00A1E	Mini PCI interface to Wireless 802.11 b/g communication module
MIO-3121-00A1E	Mini PCI to 4 COM Module
MIO-3140-00A1E	Mini PCI interface to SATA storage module
MIO-3150-00A1E	Mini PCI interface to video capture module
MIO-3130-00A1E	Mini PCI Interface to Dual LAN Communication Module
MIO-3131-00A1E	Mini PCI Interface to Single Giga LAN Communication Module

Packing List

Part No.	Description	Quantity
	PCM-9584 SBC	1
9689000002	Mini Jumper Pack	1
	Startup Manual	1
	Utility CD	1
1700001112	ATX Power Cable	1
	Heat sink 50 x 50 x 30 mm (PCM-9584FG-S0A2E only)	1
	(PCM-9584FG-S4A2E only)	
	Cooler 50 x 50 x 22 mm (PCM-9584FG-00A2E only)	1