

VN-C1-24V

樣品承認書

Samples Specification Approval Authorization

客 戶

Customer

認可編號

Approval No.

客戶料號

Customer P/N

產品名稱

真空泵

Product Name

產品類型

VN-C1-24V

Model No.

日 期

2022. 09. 14

Date

版 本

1.0

Version

客戶承認用印欄 Customer Approved Signatures

Approved	Checked	Evaluated

1.適用範圍 Application:

本規格書適用於微型泵 VN-C1-24V 之用。

This specification is applicable to Micro air Pump VN-C1-24V .

2.測試條件 Test condition:

2-1 測試環境溫度濕度：周圍溫度 20℃，相對濕度 65%RH 為標準。如無爭議發生可以在下述環境測試：周圍溫度 5—45℃，相對濕度 30—80%RH

The standard of environment test is the ambient temperature of 20℃ and relative humidity of 65%RH. If no disputes occur, the test can be conducted under the blow circumstance:the ambient temperature of 5-45℃ and relative humidity of 30~80% RH.

2-2 測試姿勢 position:

水準 Horizontal

2-3 負荷 Load:

空氣 air

3.性能 Function:

3-1 額定電壓 Rated voltage:DC24V

3-2 使用電壓 Operating voltage : DC21V-DC24V

3-3 電流 Current

Current with load: <1200A

在 DC24V 電壓氣泵抽氣壓力從 0 到 -80Kpa 的最高電流.

During pumping from 0 to -80Kpa DC24V voltage.

3-4 噪音 Noise:Less than 65dB(FIG 1)

將泵體之下墊 5cm 厚的海綿，放置在距離噪音儀 30cm 位置，DC24V 電壓下抽氣壓力從 0 至 -80Kpa 所測得的 dB 值。

Put a sponge of 5cm under the pump and distance to noise meter from 30cm.

and while pressurizing from 0 to -80kpa to test noise value at 24V voltage(FIG1)

3-5 流量 Free Flow ≥15LPM

3-6 真空度 Vacuum:>80Kpa

3-7 使用溫度範圍 Operation temperature range:

在溫度 5℃到 50℃及濕度 30%RH 到 80%RH 之間氣泵運作良好。

The temperature have to be between 5℃ and 50℃ and humidity must is between 30%and 80%RH to function the pump well.

3-8 保存溫度範圍 Preservation temperature range:

在溫度-20℃到 60℃及濕度 30%RH 到 85%RH 之間氣泵保持在良好的狀態。

The temperature has to be between negative 20 °C and positive 60 °C and humidity has to be between 30 % and 85 % RH to keep the pump in a good condition.

4. 可靠性試驗 Reliability test:**4-1 低溫特性 Low-temperature characteristic:**

放置在-20℃經 48 小時後,再取出置於常溫(20℃±5℃)中 2 小時按 3.3 3.4 3.5 3.6 3.7 測試無異常。

Putting the pump in the temperature at negative 20 °C for 48 hours; then taking it out and putting it in a room temperature at 20 °C ± 5 °C for two hours. Under this circumstance, running through test 3.3 3.4 3.5 3.6 3.7 and finding out that the pump still performs well.

4-2 高溫特性 High-temperature characteristic:

在 60℃經 48 小時放置後,再取出置於常溫(20℃±5℃)中 2 小時按 3.3 3.4 3.5 3.6 3.7 測試無異常。

Putting the pump in the temperature at 60 °C for 48 hours; then taking it out and putting it in a room temperature at 20 °C ± 5 °C for two hours. Under this circumstance, running through test 3.3 3.4 3.5 3.6 3.7 and finding out that the pump still performs well.

4-3 高溫高濕 High-temperature & High humidity:

在溫度 60℃, 濕度 80~85%環境中 48 小時取出置於常溫(20℃±5℃)中 2 小時按 3.3 3.4 3.5 3.6 3.7 測試無異常。

Putting the pump in the temperature at 60 °C and the humidity between 80~85% for 48 hours; then taking it out and putting it in a room temperature at 20 °C ± 5 °C for two hours. Under this circumstance, running through test 3.3 3.4 3.5 3.6 3.7 and finding out that the pump still performs well.

4-4 壽命試驗 Life test:

在 500CC 容器中,抽氣 30 分鐘,停 30 分鐘為一迴圈,測試大於 1600 次(800H)以後按 3.3 3.4 3.5 3.6 3.7 測試無異常。

In the 500cc container, pump air for 30 minutes and stop for 30 minutes for one cycle. After more than 1600 tests (800h), there is no abnormality in the tests according to 3.3 3.4 3.5 3.6 3.7. and figure out that the pump is still in a good function.

4-5 低溫環境測試 Low— temperature environment test:

在 5°C 經 5 小時後 在此溫度下測試無異狀。

Measuring after 5 hours neglect and there are no abnormalities a deed following test in 5°C.

4-6 高溫環境測試 High— temperature environment test:

在 50°C 經 4 小時後 在此溫度下測試無異狀。

Measuring after 4 hours neglect and there are no abnormalities a deed following test in 50°C.

5.其他 Others

5-1 跌落試驗 Fall test:

使用標準的包裝方式，在水泥地面上將其從 50CM 的高度分別從正面、側面、邊角

自由落下其性能及結構無異常。

Basic performance and the structure shall not be defected ater following test:
With

a standard packaging conditions, the dropping it at the front, side, and edges part from 50cm height to the concrete floor.

5-2 異常試驗 Unusual test:

用 DC24V 連續通電 4 小時無燃燒、冒煙現象。

There is no burning and smoking occurrence while the power is on with DC24V for 4 hours continuously.

5-3 馬達端子 Motor Terminal:

以 0.5 公斤砝碼與端子負載無異常。端子須在 380°C 烙鐵溫度下焊接，要求在 2S 內操作完成

No abnormality occurs when a 0.5Kg static is hanging in the parallel direction of the .Terminals .The terminals must be 380 °C temperature soldering iron, the requirements to complete the operation in 2 seconds.

5-4 外觀 Appearance:

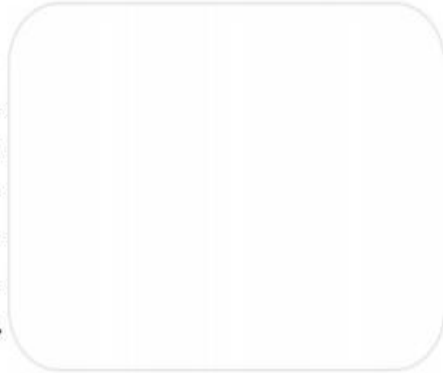
產品不能有破損，臟汙。

The appearances of the valve shall not contain cracks and impurities, which will decrease the value of the goods.

VN-C1-24V

5-5 標籤 Marking label:

公司名称 Corporate name
产品名称 Product name
产品型号 Product model
工作流量 Work flow
联系电话 Contact number
日期 Date
网址 URL



6. 如對此份規格書有任何須修改、增加、或刪除的意見，需經過客戶及佑誠公司雙方面的協商。

In case any modifications, addition or elimination on this specifications are necessary, Decisions shall be made through the negotiations between our customer and YOUCHENG Electronic co.,LTD.

FIG 1

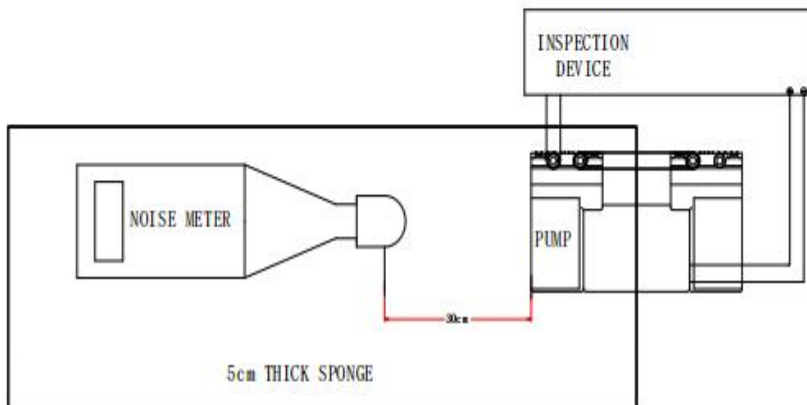
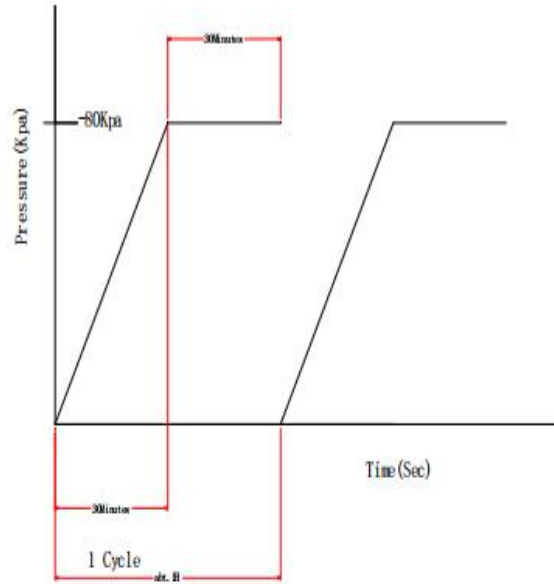
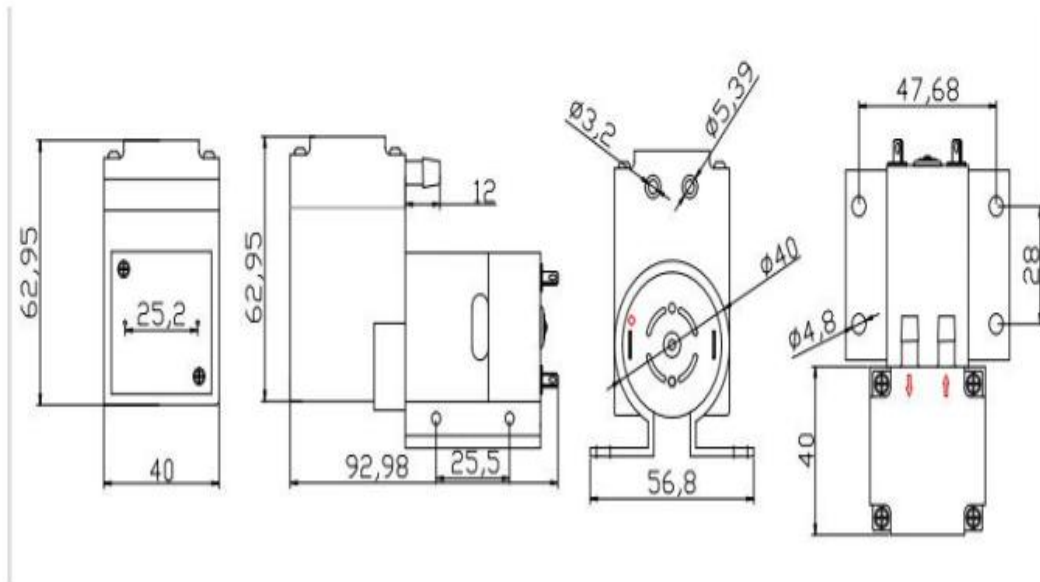


FIG 2

VN-C1-24V



7. 外形尺寸 Dimensions



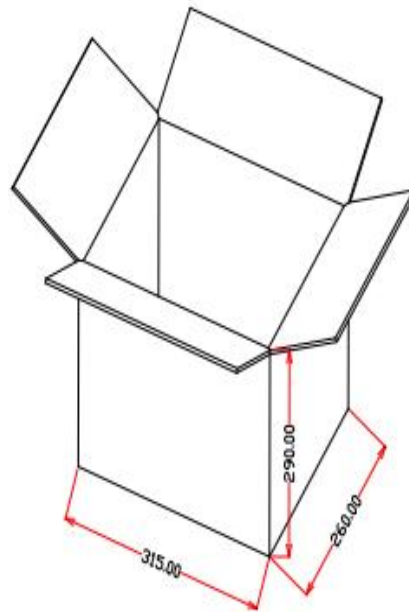
8. 圖片 photo

VN-C1-24V



9. 包裝 Packing

每箱包裝數量 45PCS / carton



10. 重量 Products weight

300g/pcs

13.5kg/carton