

### 儀器盒系列



Model	Dimension W x L x H
RM2011S	130 x 100 x 30mm
RM2011M	130 x 100 x 50mm
RM2011L	130 x 100 x 70mm
RM2051S	190 x 140 x 30mm
RM2051M	190 x 140 x 50mm
RM2051L	190 x 140 x 70mm
RM2091S	250 x 180 x 50mm
RM2091M	250 x 180 x 75mm
RM2091L	250 x 180 x 100mm

\* 另可選購 ( 合金 ) 或 ( 紅外線暗紅色透光 ) 前面板

Model	Dimension W x L x H
RP1021I	65 x 60 x 40mm
RP1061I	85 x 80 x 55mm
RP1061IC	85 x 80 x 55mm
RP1131I	125 x 85 x 55mm
RP1171I	165 x 85 x 55mm
RP1171IC	165 x 85 x 55mm
RP1181I	165 x 85 x 85mm
RP1181IC	165 x 85 x 85mm
RP1241I	165 x 125 x 75mm
RP1241IC	165 x 125 x 75mm
RP1281I	186 x 146 x 75mm
RP1281IC	186 x 146 x 75mm

\* IC = 透明頂蓋

### IP65 防水防塵系列



### IP65 防水防塵系列



Model	Dimension W x L x H
RS5105S	105 x 105 x 55mm
RS5305S	165 x 105 x 78mm

Model	Dimension W x L x H
RH3001B	130 x 68 x 25mm
RH3001G	130 x 68 x 25mm
RH3011B	130 x 68 x 25mm
RH3011G	130 x 68 x 25mm

\* RH3001 = IP65

### 手持盒系列



勝特力材料 886-3-5753170

勝特力电子(上海) 86-21-54151736

勝特力电子(深圳) 86-755-83298787

[Http://www.100y.com.tw](http://www.100y.com.tw)

RM2095L Instrumental Enclosure

Size: 250 x 180 x 100 mm.

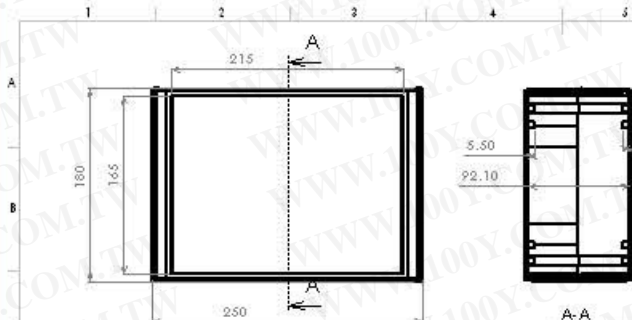
Material: Flame Retardant Resin  
ABS UL-94V0

Supply:

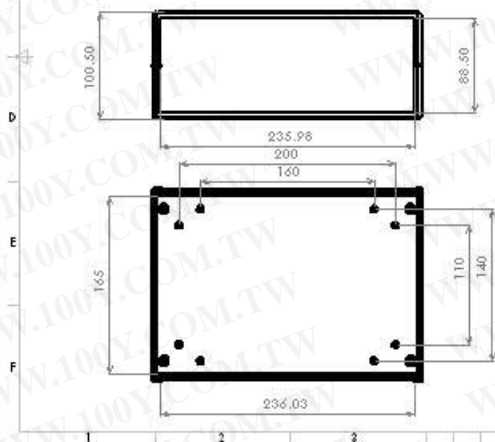
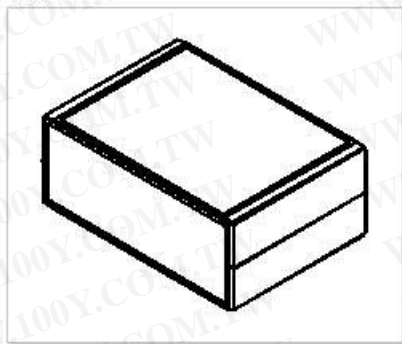
1. Fixing screws x 4 pcs.
2. PCB mounting screw x 4 pcs.
3. Self adhesive rubber feet x 4 pcs.

Option:

1. Stand Feet - x 2 pcs.
2. IR front panel - PMMA dark red.
3. AL Panel - Anodized Aluminum material.

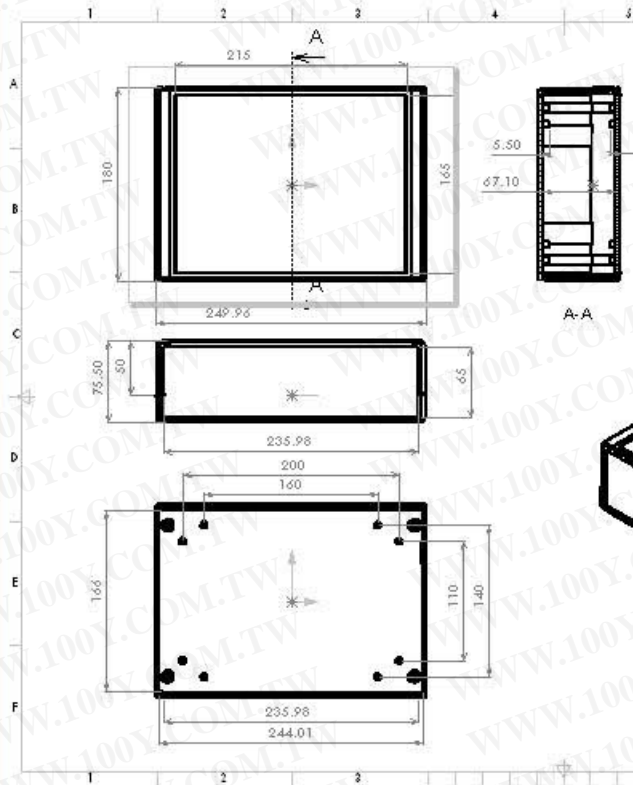


A-A



No.	Qty	Specification	Unit	Drawn	Scale
1	1	RM2095L Dimension Drawing	mm	1998.8.10	1:1
RM2095L Dimension Drawing				V1.0	1
250 x 180 x 100mm				1	1

**勝特力材料 886-3-5753170**  
**勝特力电子(上海) 86-21-54151736**  
**勝特力电子(深圳) 86-755-83298787**  
[Http://www.100y.com.tw](http://www.100y.com.tw)



A-A

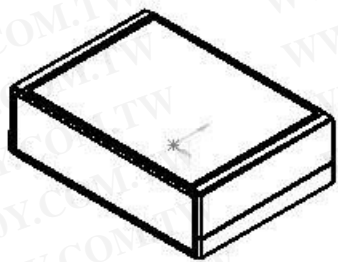
**RM2095M Instrumental Enclosure**  
 Size: 250 x 180 x 75 mm.  
 Material: Flame Retardant Resin  
 ABS UL-94V0

**Supply:**

1. Ring screws x 4 pcs.
2. PCB mounting screw x 4 pcs.
3. Self adhesive rubber feet x 4 pcs.

**Option:**

1. Stand Feet - x 2 pcs.
2. IR front panel - PMMA dark red.
3. AL Panel - Anodized Aluminum material.



No.	Qty.	Description	Specification	Rev.
1	1	RM2095M Dimension Drawing	1998.8.10	1.1
RM2095M Dimension Drawing				
250 x 180 x 75mm				V1.0 1