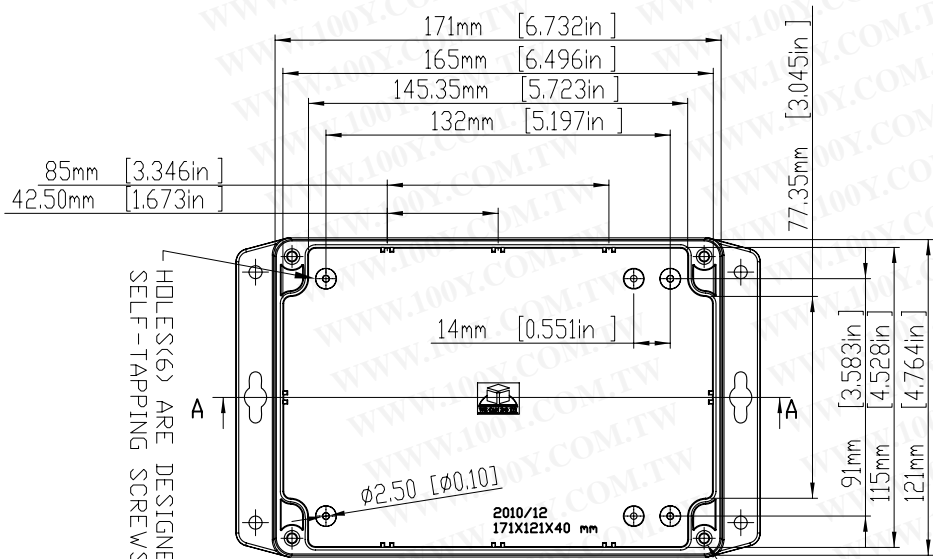


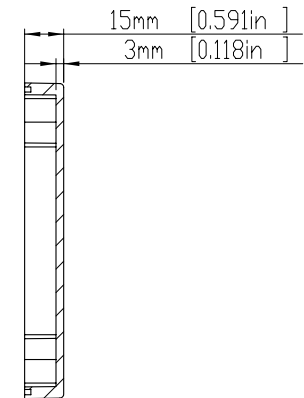
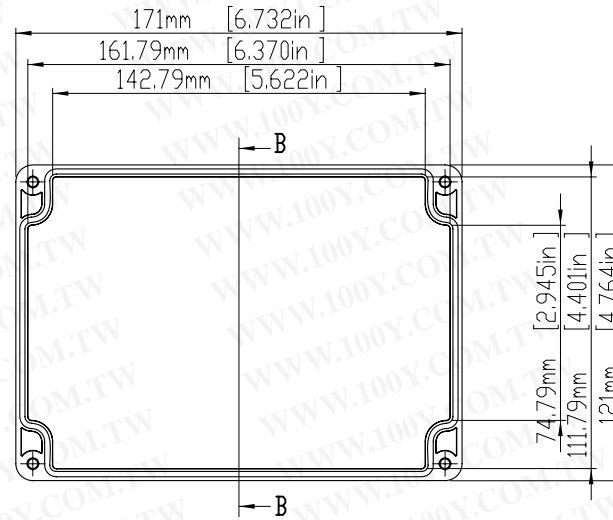
勝特力材料 886-3-5753170
 勝特力电子(上海) 86-21-34970699
 勝特力电子(深圳) 86-755-83298787
[Http://www.100y.com.tw](http://www.100y.com.tw)



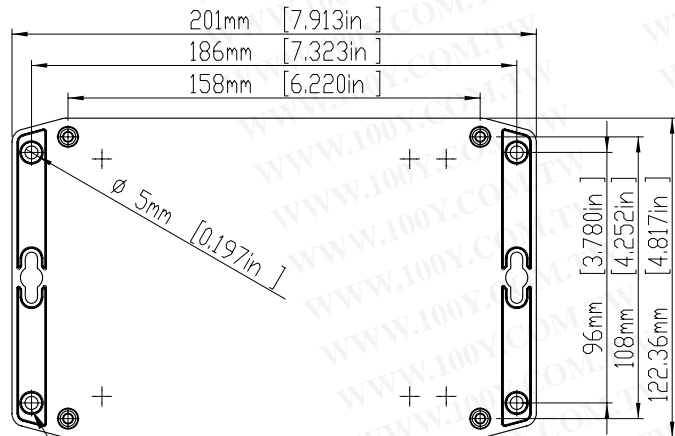
HOLES(6) ARE DESIGNED FOR SELF-TAPPING SCREWS USE.

2010/12
171X121X40 mm

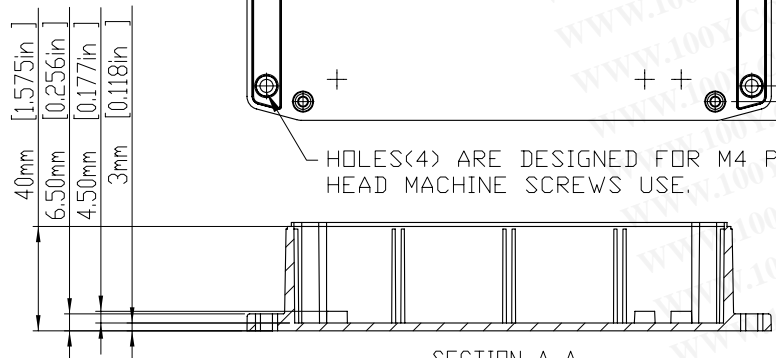
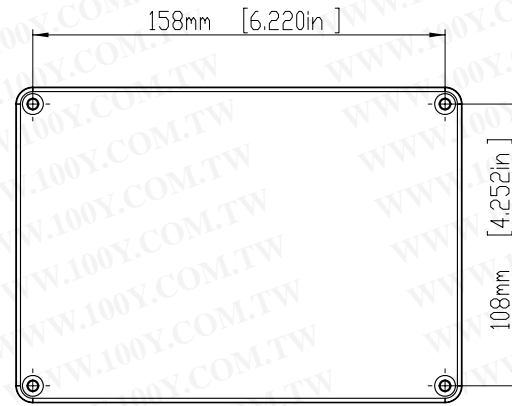
Four(4) M4X20mm PAN HEAD SCREWS.



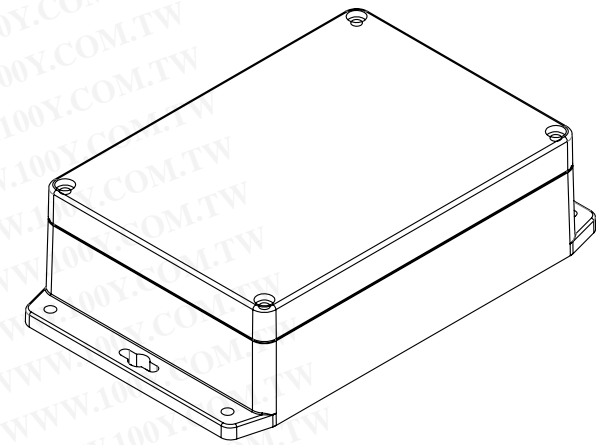
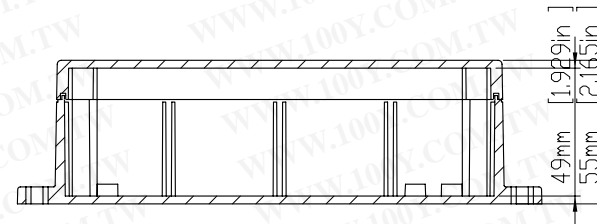
SECTION B-B



HOLES(4) ARE DESIGNED FOR M4 PAN HEAD MACHINE SCREWS USE.



SECTION A-A



STOCK NO.	MATERIAL	BASE-COLOR	COVER-COLOR
G214MF	POLYCARBONATE UL94-HB	LIGHT GRAY(RAL7035)	LIGHT GRAY(RAL7035)
G214CMF	POLYCARBONATE UL94-HB	LIGHT GRAY(RAL7035)	CLEAR
G313MF	ABS UL94-HB	DARK GRAY(RAL7000)	DARK GRAY(RAL7000)

宣又實業有限公司
GAINTA INDUSTRIES LTD.

繪圖 DRA'D BY
JACKY

日期 DATE
2010/11/30

材質 MATE.
PC;ABS

圖名TITLE:
G214MF ; G313MF

圖號DWG NO:

版次REVISID:
A