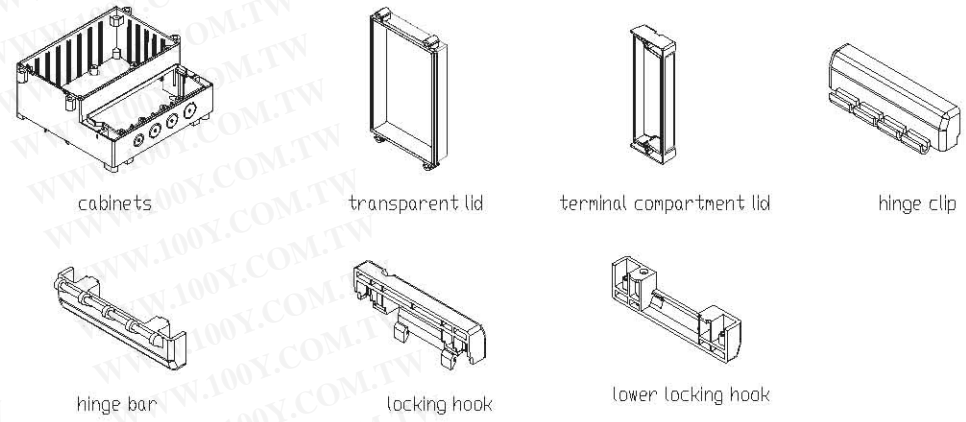


DIMENSION	CABLE GLAND
A	15.6mm PG 9(DR M2)
B	19.0mm PG 11(DR M16)
C	20.8mm PG 13.5(DR M20)

According to ISO 2768-m	
Measuring DIM=L	Tolerances
0.5<L<=3.0mm	±0.1mm
3.0<L<=6.0 mm	±0.1mm
6.0<L<=30.0 mm	±0.2mm
30.0<L<=120.0 mm	±0.3mm
120.0<L<=400.0 mm	±0.5mm
400.0<L<=1000.0 mm	±0.8mm



ITEM	DESCRIPTION	DC001CUL			DC001CBU		
		MATERIAL	COLOUR	UNIT	MATERIAL	COLOUR	UNIT
1	cabinets	PC+ABS(VD)	GRAY	1	ABS(HB)	GRAY	1
2	transparent lid	PC(VD)	CLEAR COVER	1	PC(HB)	transparent Blue	1
3	terminal compartment lid	PC+ABS(VD)	GRAY	1	ABS(HB)	GRAY	1
4	hinge clip	PC+ABS(VD)	GRAY	1	ABS(HB)	GRAY	1
5	hinge bar	PC+ABS(VD)	GRAY	1	ABS(HB)	GRAY	1
6	locking hook	PC+ABS(VD)	GRAY	1	ABS(HB)	GRAY	1
7	lower locking hook	PC+ABS(VD)	GRAY	1	ABS(HB)	GRAY	1

繪圖	DRA'D BY	日期	DATE	材質	MATE.	圖名	TITLE	圖號	DWG NO:	版本	REVISID:
			2012/04/13	PC+ABS(VD), ABS(HB)		DC001CUL DC001CBU		1-1		A	
繪圖	DRA'D BY	日期	DATE	材質	MATE.	圖名	TITLE	圖號	DWG NO:	版本	REVISID:
			2012/04/13	PC+ABS(VD), ABS(HB)		DC001CUL DC001CBU		1-2		A	

勝特力材料 886-3-5753170
 勝特力电子(上海) 86-21-34970699
 勝特力电子(深圳) 86-755-83298787
[Http://www.100y.com.tw](http://www.100y.com.tw)