

## Micrometer

### Move to other products

- 1 SPC
- 2 Caliper
- 3 Depth gage
- 4 Height gage
- Micrometer
- 6 Inside micrometer
- 7 Micrometer head
- 8 Indicator
- 9 Test indicator
- 10 Gage head
- 11 Gauge Block
- 12 Reference gage
- 13 Surface plate
- 14 Miscellaneous
- 15 Linear scale
- 16 Digimatic scale unit
- 17 Profile projector
- 18 Microscope
- 19 Contracer
- 20 Surftest
- 21 Formtracer
- 22 Roundtest
- 23 Hardness tester
- 24 CMM
- 25 Flexible measuring gage
- 26 Vision measuring system
- 27 Detailed shape measuring system
- 28 Laser scan micrometer
- 29 DIY tools

## List of products

Digimatic Micrometer  
SERIES 293



Quickmike  
SERIES 293, 369, 422



Digimatic Micrometers  
SERIES 293



Outside Micrometers  
SERIES 101



Outside Micrometers  
SERIES 102



Quick-Setting Outside Micrometers  
SERIES 293, 102



Outside Micrometers  
SERIES 103



Outside Micrometers  
SERIES 340, 104



Outside Micrometers  
SERIES 105



Outside Micrometers  
SERIES 406, 106



Spline Micrometers  
SERIES 331, 111



Point Micrometers  
SERIES 342, 142, 112



Crimp Height Micrometers  
SERIES 342, 142, 112



V-Anvil Micrometers  
SERIES 314, 114



Tube Micrometers  
SERIES 395, 295, 115



Universal Micrometers  
SERIES 116



"Uni-Mike"  
SERIES 317, 117



Sheet Metal Micrometers  
SERIES 389, 189, 119, 118



Blade Micrometers  
SERIES 422, 122



Disk Micrometers  
SERIES 323, 223, 123



Paper Thickness Micrometers  
SERIES 169



Disk Micrometers  
SERIES 369, 169



Screw Thread Micrometers  
SERIES 125



Gear Tooth Micrometers  
SERIES 324, 124



Screw Thread Micrometers  
SERIES 326, 126



Can Seam Micrometers  
SERIES 347, 147



Hub Micrometers  
SERIES 147



Wire Micrometers  
SERIES 147



Digit Outside Micrometers  
SERIES 193



Caliper Type Micrometers  
SERIES 343, 143



Digimatic Micrometers  
SERIES 227



Low Force Micrometers  
SERIES 227



Digimatic Bench Micrometer  
SERIES 121



Snap Meters  
SERIES 523



Dial Snap Meters  
SERIES 523



Indicating Micrometers  
SERIES 510



Outside Micrometers  
SERIES 107



Limit Micrometers  
SERIES 113



Optical Flats  
SERIES 158



Optical Parallels  
SERIES 157



Micrometer Standards  
SERIES 167



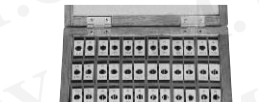
Standards for Screw Thread Micrometers  
SERIES 167



Standards for V-Anvil Micrometers  
SERIES 167



3-Wire Units  
SERIES 313



Micrometer Stands  
SERIES 156



Groove Micrometers  
SERIES 146



Depth Micrometers  
SERIES 329, 229, 129



Depth Micrometers  
SERIES 128



# Digimatic Micrometer

SERIES 293 — with Dust/Water Protection Conforming to IP65 Level



• Staubdicht + strahl-  
 wassergeschützt IP65



## FEATURES

- IP65 protection level, enabling use in environments exposed to cutting oil, etc\*. \*Anti-corrosion treatment is required after use.
- Measurement data output function is available with a water-resistant connection cable.
- Oil-resistance materials are used in all plastic components.
- $\pm 1 \mu\text{m}$  instrumental error (75 mm/3" or less range models)
- Auto power ON/OFF function.
- Certificate of inspection\* is included. (50mm/2" or less range models) \*It is not the type used to obtain calibration certificates.



## Technical Data

- Display:** LCD
- Functions:** Origin-Set, Zero-Setting, Data hold, Automatic power on/off, inch/mm conversion (inch/mm type only), Data output
- Battery:** SR44 (1 pc.) (938882)
- Battery life:** Approx. 1.2 years under normal use
- Maximum response speed:** Unlimited
- Dust/Water protection level:** Conforming to IP65
- Alarm:** Low voltage, counting value composition error
- Operating temperature:** 0°C to 40°C



## OPTIONAL ACCESSORIES

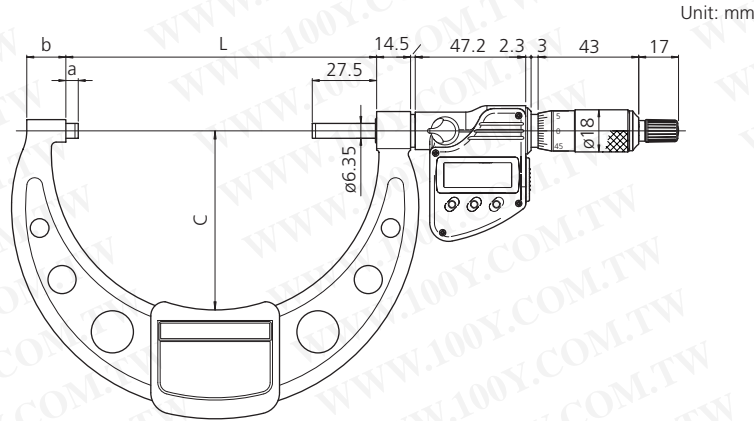
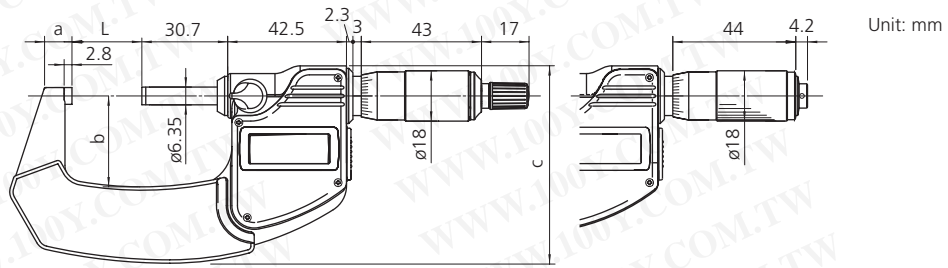
Order No.	Description
05CZA662	SPC cable with data switch (1m)
05CZA663	SPC cable with data switch (2m)
(See page 130.)	Micrometer stands
(See page 276.)	Gauge block set for micrometer inspection

Mitutoyo		CERTIFICATE OF INSPECTION / 検査成績書		Issue No. / 発行No. 0304040	
1. Item / 対象製品		Digimatic Micrometer		Measuring range / 測定範囲 0-25mm	
Product name / 製品名		MDC-25MJ		Resolution / 分解能 0.001mm	
Model / 型番		293-230		Serial No. / 番付番号 35026925	
2. Result of Inspection / 検査結果		Inspection standard / 検査標準 Mitutoyo standard 1)		Standard temperature / 標準温度 20 °C	
Performance / 性能		Flatness of measuring face / 平面度		Permissible value / 許容値 0.3	
		Anvil / 定尺		Measured value / 実測値 0	
		Spindle / 軸		Permissible value / 許容値 0.3	
		Parallellism of measuring faces / 平行度		Permissible value / 許容値 1	
				Measured value / 実測値 0.3	
Measuring length / 測定長(mm)		Permissible value / 許容値		Instrumental error / 器差	
0.0		± 1		0	
7.7				0	
12.9				0	
17.6				+1	
22.8				+1	
25.0				+1	
Uncertainty of measurement / 測定の不確かさ				U <sub>95</sub> = 1.3	
				[k=2]	
1) Based on: JISB 5001 (1994), ISO 3611 (1978)					
Traceable to: NMI/AIST by JCSS No.0030/NIST via No.821/263174-00, No.821/262133-99.					
PTB via No.4599 PTB 00					
3. Judgment / 総合判定		Passed / 合格		E-Date / 検査日	
4. QC Manager / 検査判定		E-Date / 検査日		Mitutoyo Corporation	

Certificate of inspection



Dimensions



Range	L	a	b	c
0 - 25mm	0	9	25	(59.8)
25 - 50mm	25	9.8	32	(70.3)
50 - 75mm	50	12.6	47	(91.6)
75 - 100mm	75	14	60	(112.9)
100 - 125mm	132.8	5.3	16.7	(76.5)
125 - 150mm	158.2	5.7	18.8	(91)
150 - 175mm	183.6	6.1	19.1	(103.1)
175 - 200mm	208.8	6.3	18.2	(115.3)
200 - 225mm	234.2	6.7	16.8	(126.8)
225 - 250mm	258	5.5	18	(139.8)
250 - 275mm	284	6.5	18	(152.3)
275 - 300mm	309	6.5	18	(166)

SPECIFICATIONS

Metric		With ratchet stop	
Range	Order No.	Resolution	Accuracy
0 - 25mm	293-230 / 293-240*	0.001mm	±1μm
25 - 50mm	293-231 / 293-241*	0.001mm	±1μm
50 - 75mm	293-232 / 293-242*	0.001mm	±1μm
75 - 100mm	293-233 / 293-243*	0.001mm	±2μm
100 - 125mm	293-250	0.001mm	±2μm
125 - 150mm	293-251	0.001mm	±2μm
150 - 175mm	293-252	0.001mm	±3μm
175 - 200mm	293-253	0.001mm	±3μm
200 - 225mm	293-254	0.001mm	±3μm
225 - 250mm	293-255	0.001mm	±4μm
250 - 275mm	293-256	0.001mm	±4μm
275 - 300mm	293-257	0.001mm	±4μm

Inch/Metric		With ratchet stop	
Range	Order No.	Resolution	Accuracy
0 - 1"	293-330 / 293-340*	.00005"/0.001mm	±.00005"
1" - 2"	293-331 / 293-341*	.00005"/0.001mm	±.00005"
2" - 3"	293-332 / 293-342*	.00005"/0.001mm	±.00005"
3" - 4"	293-333 / 293-343*	.00005"/0.001mm	±.0001"
4" - 5"	293-350	.00005"/0.001mm	±.0001"
5" - 6"	293-351	.00005"/0.001mm	±.0001"
6" - 7"	293-352	.00005"/0.001mm	±.00015"
7" - 8"	293-353	.00005"/0.001mm	±.00015"
8" - 9"	293-354	.00005"/0.001mm	±.00015"
9" - 10"	293-355	.00005"/0.001mm	±.0002"
10" - 11"	293-356	.00005"/0.001mm	±.0002"
11" - 12"	293-357	.00005"/0.001mm	±.0002"

Metric		With ratchet thimble	
Range	Order No.	Resolution	Accuracy
0 - 25mm	293-234 / 293-244*	0.001mm	±1μm
25 - 50mm	293-235 / 293-245*	0.001mm	±1μm
50 - 75mm	293-236 / 293-246*	0.001mm	±1μm
75 - 100mm	293-237 / 293-247*	0.001mm	±2μm

Inch/Metric		With ratchet thimble	
Range	Order No.	Resolution	Accuracy
0 - 1"	293-334 / 293-344*	.00005"/0.001mm	±.00005"
1" - 2"	293-345*	.00005"/0.001mm	±.00005"
2" - 3"	293-346*	.00005"/0.001mm	±.00005"
3" - 4"	293-347*	.00005"/0.001mm	±.0001"

Metric		With friction thimble	
Range	Order No.	Resolution	Accuracy
0 - 25mm	293-238 / 293-248*	0.001mm	±1μm

Inch/Metric		With friction thimble	
Range	Order No.	Resolution	Accuracy
0 - 1"	293-335 / 293-348*	.00005"/0.001mm	±.00005"
1" - 2"	293-336	.00005"/0.001mm	±.00005"

\*without SPC data output

\*without SPC data output



# Quickmike

## SERIES 293, 369, 422 — IP-54 Absolute Digimatic Micrometers

**IP54**



369-666



293-667



293-668

**SPC** **ABSOLUTE**



293-669

MICROMETERS

The Quickmike provides a speedy spindle feed of 10mm per thimble rotation as compared to the conventional micrometer with 0.5mm per rotation. Its wide 30mm measuring range allows various workpieces with different shapes to be measured quickly.

### SPECIFICATION

Metric				
Range	Order No.	Resolution	Accuracy	Mass
0 - 30mm	293-666	0.01mm	±2μm	275g
	293-661-10*	0.01mm	±2μm	275g
25 - 55mm	293-667	0.01mm	±2μm	355g
50 - 80mm	293-668	0.01mm	±3μm	525g
75 - 105mm	293-669	0.01mm	±3μm	625g

\*Without SPC data output

Excluding quantizing error

Inch/Metric				
Range	Order No.	Resolution	Accuracy	Mass
0 - 1.2"	293-676	.00005"/0.001mm	±.00008"	.61 lbs.
1" - 2.2"	293-677	.00005"/0.001mm	±.00008"	.78 lbs.
2" - 3.2"	293-678	.00005"/0.001mm	±.00012"	1.16 lbs.
3" - 4.2"	293-679	.00005"/0.001mm	±.00012"	1.38 lbs.

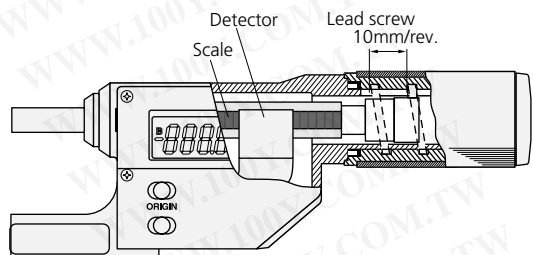
Excluding quantizing error

### FEATURES

- Large LCD digits of 7.5mm height for error-free reading.
- Non-rotating spindle and the new ratchet friction thimble.
- With absolute linear scale.
- IP54 level water resistance protection (when not connected with data output cable).
- Stainless steel spindle.
- With SPC data output.
- With a standard bar to set the origin point (for models with a range over 30mm).

**Absolute scale with origin point**

**Quick feeding mechanism**





369-411

IP54

SPC

ABSOLUTE



342-451



422-411

MICROMETERS



Metric		Disk type		
Range	Order No.	Resolution	Accuracy	Mass
0 - 30mm	369-411	0.001mm	±4µm	360g
25 - 55mm	369-412	0.001mm	±4µm	490g

Excluding quantizing error

Metric		Blade type		
Range	Order No.	Resolution	Accuracy	Mass
0 - 30mm	422-411	0.001mm	±3µm	350g
25 - 55mm	422-412	0.001mm	±3µm	490g

Excluding quantizing error

Inch/Metric		Disk type		
Range	Order No.	Resolution	Accuracy	Mass
0 - 1.2"	369-421	.00005"/0.001mm	±.00016"	.79 lbs.
1" - 2.2"	369-422	.00005"/0.001mm	±.00016"	1.08 lbs.

Excluding quantizing error

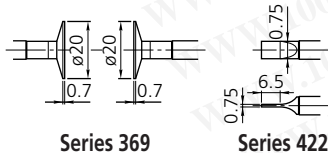
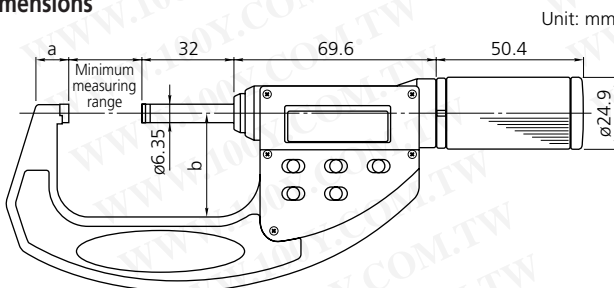
Inch/Metric		Blade type		
Range	Order No.	Resolution	Accuracy	Mass
0 - 1.2"	422-421	.00005"/0.001mm	±.00012"	.77 lbs.
1" - 2.2"	422-422	.00005"/0.001mm	±.00012"	1.08 lbs.

Excluding quantizing error

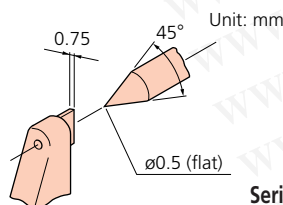
Metric		Crimp height type		
Range	Order No.	Resolution	Accuracy	Mass
0 - 15mm	342-451	0.001mm	±3µm	275g

Excluding quantizing error

Dimensions



Range	a	d
0 - 30mm	9	25
25 - 55mm	11.3	36
50 - 80mm	13.1	47
75 - 105mm	13.5	60



Series 342: Crimp height type

Technical Data

- Display:** LCD
- Functions:** Origin-Set, Zero-Set, power on/off, inch/mm conversion (inch/mm type only), SPC data output\*, data hold  
 \*Not provided for 293-661-10 model
- Battery:** SR44 (1 pc.) (938882)
- Battery life:** Approx. 3 years (293-666, 293-661-10 and 293-676)/Approx. 1 year
- Measuring force:** 5 - 10N (500 - 1000gf)
- Measuring faces:** Carbide-tipped (293 series only)
- Alarm:** Low battery voltage, scale contamination
- Dust/Water protection level:** Conforming to IP54

OPTIONAL ACCESSORIES

Order No.	Description
937387	SPC cable (1m)
965013	SPC cable (2m)

# Digimatic Micrometers

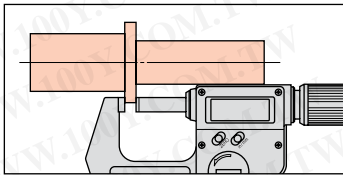
## SERIES 293



MICROMETERS

### FEATURES

- The world's lightest digital micrometer 215g in mass.
- Simply measures 0 through 25mm (1") with resolution to 0.001mm.
- Measuring faces carbide tipped.
- Provided only with a zero-set key for easy origin setting. (No spindle clamp, no data output, no auto-sleep function)
- A ratchet stop or friction thimble for a constant measuring force.
- Measurement readout with large characters on the LCD screen.
- Battery: SR44 (938882) x 1pc. for 1.2 years
- Slim construction for easy access to the stepped feature like the one shown.



### SPECIFICATIONS

Metric		With ratchet stop		
Range	Order No.	Resolution	Accuracy	Mass
0 - 25mm	<b>293-805</b>	0.001mm	±2µm	215g

Excluding quantizing error

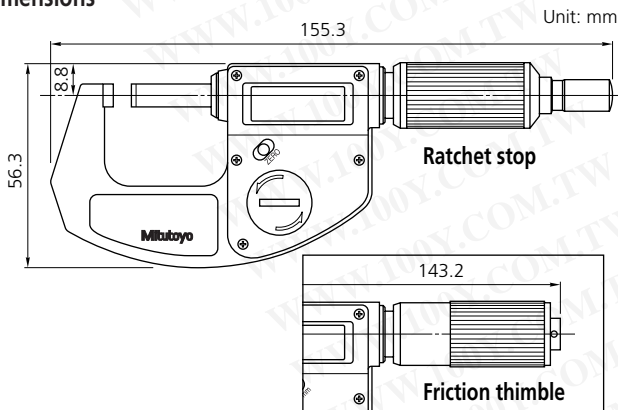
Inch/Metric		With ratchet stop		
Range	Order No.	Resolution	Accuracy	Mass
0 - 1"	<b>293-815</b>	.00005"/0.001mm	±.0001"	.47 lbs.

Excluding quantizing error

Inch/Metric		With friction thimble		
Range	Order No.	Resolution	Accuracy	Mass
0 - 1"	<b>293-816</b>	.00005"/0.001mm	±.0001"	.47 lbs.

Excluding quantizing error

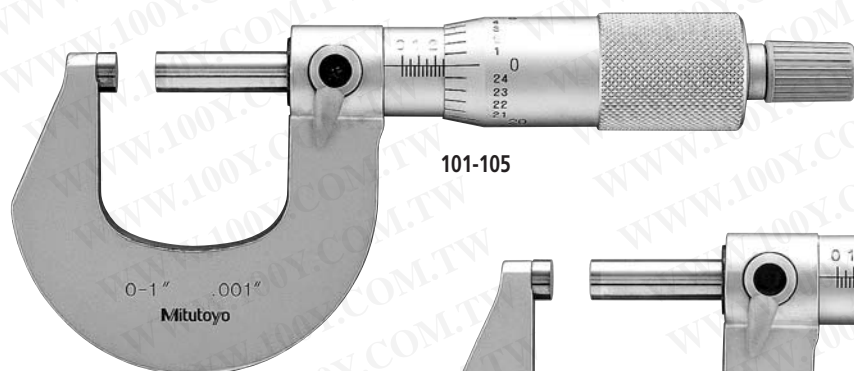
### Dimensions



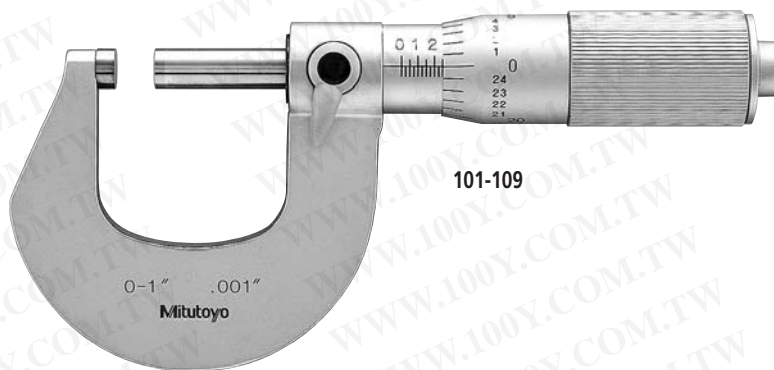
## Outside Micrometers

### SERIES 101

勝特力材料 886-3-5753170  
 勝特力电子(上海) 86-21-54151736  
 勝特力电子(深圳) 86-755-83298787  
[Http://www.100y.com.tw](http://www.100y.com.tw)



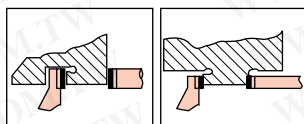
101-105



101-109

### FEATURES

- Satin-chrome-finished frame, tapered (on the anvil side) for hard-to-reach places.



- Carbide-tipped measuring faces.
- Designed to be operated efficiently with one hand.
- Provided with a standard except for 1" model.

### Measuring faces

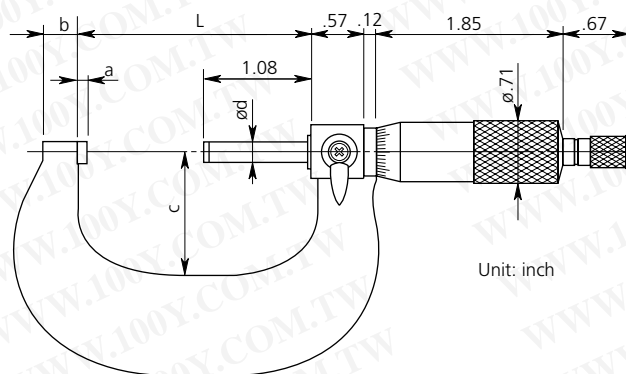
- Flatness: .000024"
- Parallelism: .00005" for .5" model  
 .00008" for models up to 3"  
 .00012" for 3" - 4" model

### SPECIFICATIONS

Inch	With ratchet stop		
Range	Order No.	Graduation	Accuracy
0 - .5"	101-230	.0001"	±.0001"
0 - 1"	101-105	.001"	±.0001"
	101-113	.0001"	±.0001"
1" - 2"	101-106	.001"	±.0001"
	101-114	.0001"	±.0001"
2" - 3"	101-119	.0001"	±.0001"
3" - 4"	101-120	.0001"	±.00015"

Note: .0001" reading is obtained with vernier.

### Dimensions



Inch	With friction thimble		
Range	Order No.	Graduation	Accuracy
0 - 1"	101-109	.001"	±.0001"
	101-117	.0001"	±.0001"
1" - 2"	101-110	.001"	±.0001"
	101-118	.0001"	±.0001"

Note: .0001" reading is obtained with vernier.

Range	L	a	b	c	d
1 - 1"	1.19	.11	.20	1.10	.25
1 - 2"	2.18	.11	.30	1.28	.25
2 - 3"	3.16	.11	.37	1.77	.25
3 - 4"	4.15	.11	.38	2.28	.25

Note: The shape of the thimble changes on the model with friction thimble.



# Outside Micrometers

## SERIES 102



### FEATURES

- Heat-insulated frame, tapered (on the anvil side) for hard-to-reach places.
- Carbide-tipped measuring faces.
- Provided with a standard except for 25mm (1") model.

### Measuring faces

- Flatness:  
 0.6 $\mu$ m (.000024") for models of 0.01mm (.001") reading  
 0.3 $\mu$ m (.000012") for models of 0.001mm (.0001") reading
- Parallelism:  
 1 $\mu$ m (.00004") for 25mm (1") model  
 2 $\mu$ m (.00008") for models up to 100mm (4")

### SPECIFICATIONS

Metric	With ratchet stop		
Range	Order No.	Graduation	Accuracy
0 - 25mm	102-301	0.01mm	$\pm 2\mu$ m
	102-307	0.001mm	$\pm 2\mu$ m
25 - 50mm	102-302	0.01mm	$\pm 2\mu$ m
	102-308	0.001mm	$\pm 2\mu$ m
50 - 75mm	102-303	0.01mm	$\pm 2\mu$ m
75 - 100mm	102-304	0.01mm	$\pm 3\mu$ m

Metric	Micrometer set	
Range	Order No.	Assortment of micrometers
0 - 100mm (4 mikes/set)	102-911	<ul style="list-style-type: none"> <li>• 102-301</li> <li>• 102-302</li> <li>• 102-303</li> <li>• 102-304</li> <li>• 3 micrometer standards</li> </ul>

Inch	With ratchet stop		
Range	Order No.	Graduation	Accuracy
0 - 1"	102-321	.001"	$\pm .0001$ "
	102-327	.0001"	$\pm .0001$ "
1" - 2"	102-322	.001"	$\pm .0001$ "
	102-328	.0001"	$\pm .0001$ "
2" - 3"	102-323	.001"	$\pm .0001$ "
3" - 4"	102-324	.001"	$\pm .00015$ "

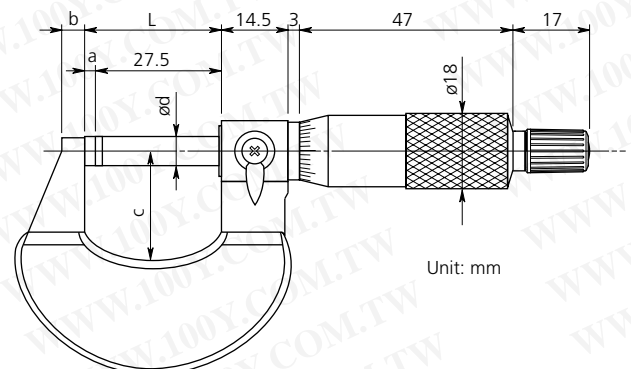
Note: 0.001mm (.0001") reading is obtained with vernier.

Metric	With ratchet thimble		
Range	Order No.	Graduation	Accuracy
0 - 25mm	102-305	0.01mm	$\pm 2\mu$ m
	102-309	0.001mm	$\pm 2\mu$ m
25 - 50mm	102-306	0.01mm	$\pm 2\mu$ m

Inch	With ratchet thimble		
Range	Order No.	Graduation	Accuracy
0 - 1"	102-325	.001"	$\pm .0001$ "
	102-329	.0001"	$\pm .0001$ "
1" - 2"	102-326	.001"	$\pm .0001$ "
	102-330	.0001"	$\pm .0001$ "

Note: 0.001mm (.0001") reading is obtained with vernier.

### Dimensions



Range	L	a	b	c	d
0 - 25mm	30.3	2.8	5	26	6.35
25 - 50mm	55.3	2.8	8	32	6.35
50 - 75mm	80.3	2.8	9	45	6.35
75 - 100mm	105.3	2.8	10	58	6.35

Note: The shape of the thimble changes on the model with ratchet thimble.

# Quick-Setting Outside Micrometers

SERIES 293, 102

勝特力材料 886-3-5753170  
 勝特力电子(上海) 86-21-54151736  
 勝特力电子(深圳) 86-755-83298787  
[Http://www.100y.com.tw](http://www.100y.com.tw)



293-151-30



102-450



102-650

## FEATURES

- 1mm spindle thread pitch for quick setting.
- The measurement can be read directly from the thimble due to the 100 step graduation.
- Carbide-tipped measuring faces.
- With Ratchet Thimble for constant force. (Ratchet Stop is also available for the 102 series.)
- Provided with a standard except for 25mm (1") model.
- The 293 series is provided with SPC output.

## Measuring faces

- Flatness: 0.6μm
- Parallelism: 2μm

## SPECIFICATIONS

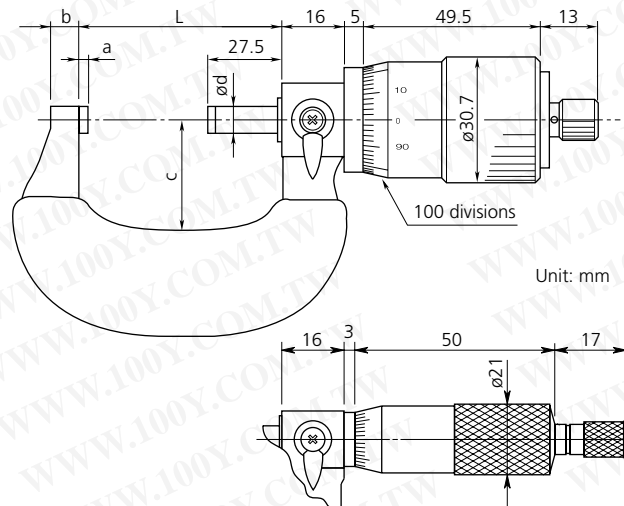
Metric	Digital model with ratchet stop		
Range	Order No.	Graduation	Accuracy
0 - 25mm	293-151-30	0.001mm	±1μm
25 - 50mm	293-152-30	0.001mm	±1μm
50 - 75mm	293-153-30	0.001mm	±1μm
75 - 100mm	293-154-30	0.001mm	±2μm

Excluding quantizing error

Metric	With ratchet stop		
Range	Order No.	Graduation	Accuracy
0 - 25mm	102-450	0.01mm	±2μm
25 - 50mm	102-451	0.01mm	±2μm

Metric	With ratchet thimble		
Range	Order No.	Graduation	Accuracy
0 - 25mm	102-650	0.01mm	±2μm
25 - 50mm	102-651	0.01mm	±2μm
50 - 75mm	102-652	0.01mm	±2μm
75 - 100mm	102-653	0.01mm	±2μm

## Dimensions



Range	L	a	b	c	d
0 - 25mm	30	2.5	5	26	8
25 - 50mm	55	2.5	8	32.5	8
50 - 75mm	80	2.5	9	45	8
75 - 100mm	105	2.5	9	58	8

Note: The shape of the thimble changes on the digital model.



# Outside Micrometers

## SERIES 103



### FEATURES

- Hammertone-green, baked-enamel-finished frame.
- Carbide-tipped measuring faces.
- Clear graduations on satin-chrome finish.
- Positive locking clamp.
- Ratchet Stop or Friction Thimble for exact repetitive readings.
- Provided with a standard except for 25mm (1") model.

### SPECIFICATIONS

Metric		With ratchet stop	
Range	Order No.	Graduation	Accuracy
0 - 25mm	<b>103-137</b>	0.01mm	±2μm
	<b>103-129</b>	0.001mm	±2μm
25 - 50mm	<b>103-138</b>	0.01mm	±2μm
	<b>103-130</b>	0.001mm	±2μm
50 - 75mm	<b>103-139-10</b>	0.01mm	±2μm
75 - 100mm	<b>103-140-10</b>	0.01mm	±3μm
100 - 125mm	<b>103-141-10</b>	0.01mm	±3μm
125 - 150mm	<b>103-142-10</b>	0.01mm	±3μm
150 - 175mm	<b>103-143-10</b>	0.01mm	±4μm
175 - 200mm	<b>103-144-10</b>	0.01mm	±4μm
200 - 225mm	<b>103-145-10</b>	0.01mm	±4μm
225 - 250mm	<b>103-146-10</b>	0.01mm	±5μm
250 - 275mm	<b>103-147-10</b>	0.01mm	±5μm
275 - 300mm	<b>103-148-10</b>	0.01mm	±5μm
300 - 325mm	<b>103-149</b>	0.01mm	±6μm
325 - 350mm	<b>103-150</b>	0.01mm	±6μm
350 - 375mm	<b>103-151</b>	0.01mm	±6μm
375 - 400mm	<b>293-152</b>	0.01mm	±7μm
400 - 425mm	<b>103-153</b>	0.01mm	±7μm
425 - 450mm	<b>103-154</b>	0.01mm	±7μm
450 - 475mm	<b>103-155</b>	0.01mm	±8μm
475 - 500mm	<b>103-156</b>	0.01mm	±8μm

(Models with a range up to 1000mm are available.)

### Measuring faces

- Flatness: 0.6μm (.000024") for models up to 300mm (12")  
 1μm (.00004") for models over 300mm (12")
- Parallelism:  $(2+L/100)\mu\text{m}$   $[(.00008+.00004(L/4))"]^*$   
 \*L=Maximum measuring length (mm) [(inch)], Fraction rounded down

### Inch With ratchet stop

Range	Order No.	Graduation	Accuracy
0 - 1"	<b>103-177</b>	.001"	±.0001"
	<b>103-131</b>	.0001"	±.0001"
1" - 2"	<b>103-178</b>	.001"	±.0001"
	<b>103-132</b>	.0001"	±.0001"
2" - 3"	<b>103-179</b>	.001"	±.0001"
3" - 4"	<b>103-180</b>	.001"	±.00015"
4" - 5"	<b>103-181</b>	.001"	±.00015"
5" - 6"	<b>103-182</b>	.001"	±.00015"
6" - 7"	<b>103-183</b>	.001"	±.0002"
7" - 8"	<b>103-184</b>	.001"	±.0002"
8" - 9"	<b>103-185</b>	.001"	±.0002"
9" - 10"	<b>103-186</b>	.001"	±.00025"
10" - 11"	<b>103-187</b>	.001"	±.00025"
11" - 12"	<b>103-188</b>	.001"	±.00025"
12" - 13"	<b>103-189</b>	.001"	±.0003"
13" - 14"	<b>103-190</b>	.001"	±.0003"
14" - 15"	<b>103-191</b>	.001"	±.0003"
15" - 16"	<b>103-192</b>	.001"	±.00035"
16" - 17"	<b>103-193</b>	.001"	±.00035"
17" - 18"	<b>103-194</b>	.001"	±.00035"
18" - 19"	<b>103-195</b>	.001"	±.0004"
19" - 20"	<b>103-196</b>	.001"	±.0004"

(Models with a range up to 40" are available.)

Note: 0.001mm (.0001") reading is obtained with vernier.

### Metric With friction thimble

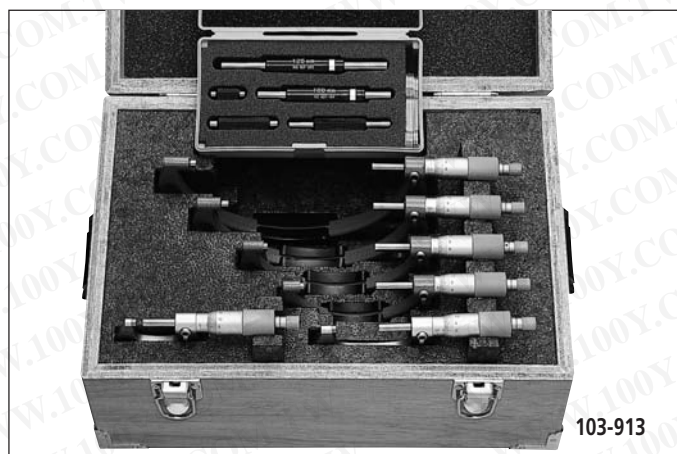
Range	Order No.	Graduation	Accuracy
0 - 25mm	<b>103-125</b>	0.01mm	±2μm
	<b>103-133</b>	0.001mm	±2μm
25 - 50mm	<b>103-126</b>	0.01mm	±2μm

### Inch With friction thimble

Range	Order No.	Graduation	Accuracy
0 - 1"	<b>103-127</b>	.001"	±.0001"
	<b>103-135T</b>	.0001"	±.0001"
1" - 2"	<b>103-128</b>	.001"	±.0001"
	<b>103-136T</b>	.0001"	±.0001"

Note: 0.001mm (.0001") reading is obtained with vernier.

勝特力材料 886-3-5753170  
 勝特力电子(上海) 86-21-54151736  
 勝特力电子(深圳) 86-755-83298787  
[Http://www.100y.com.tw](http://www.100y.com.tw)



103-913

Metric	Micrometer set	
Range	Order No.	Assortment of micrometers
0 - 75mm (3 mikes/set)	<b>103-927-10</b>	<ul style="list-style-type: none"> <li>• 103-137, 103-138, 103-139</li> <li>• 2 micrometer standards</li> </ul>
0 - 150mm (6 mikes/set)	<b>103-913-30</b>	<ul style="list-style-type: none"> <li>• 103-137, 103-138, 103-139-10, 103-140-10, 103-141-10, 103-142-10</li> <li>• 5 micrometer standards</li> </ul>
150 - 300mm (6 mikes/set)	<b>103-915-10</b>	<ul style="list-style-type: none"> <li>• 103-143, 103-144, 103-145, 103-146, 103-147, 103-148</li> <li>• 6 micrometer standards</li> </ul>
0 - 300mm (12 mikes/set)	<b>103-914-30</b>	<ul style="list-style-type: none"> <li>• All micrometers of 103-913-30 and 103-915-10 in one set</li> <li>• 11 micrometer standards</li> </ul>

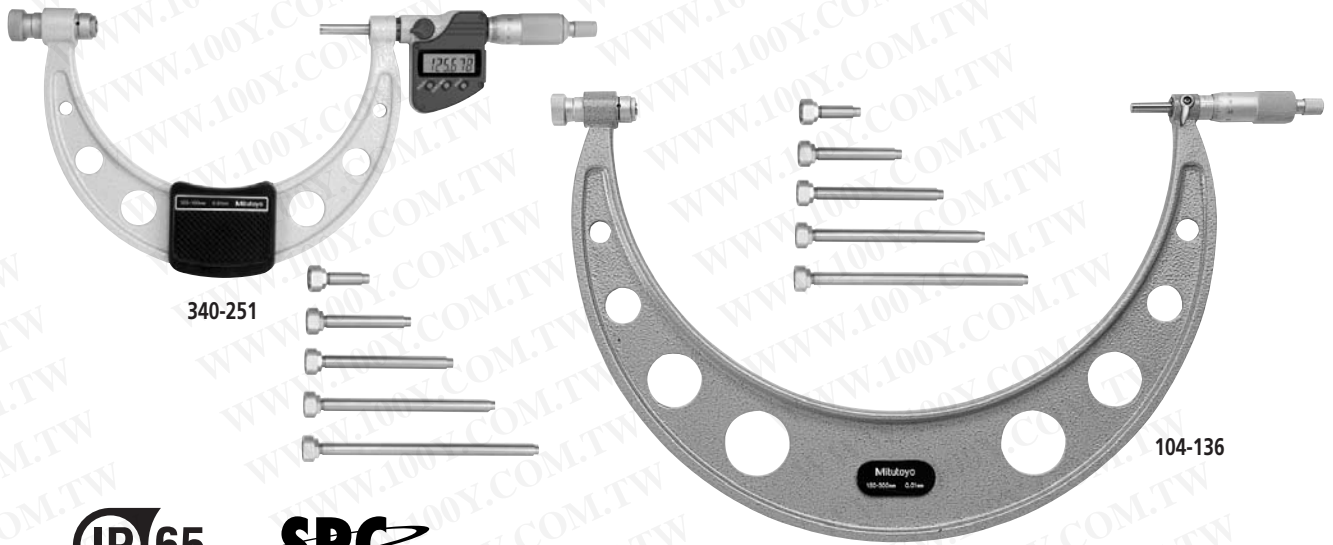
Inch	Micrometer set	
Range	Order No.	Assortment of micrometers
0 - 3" (3 mikes/set)	<b>103-929</b>	<ul style="list-style-type: none"> <li>• 103-177, 103-178, 103-179</li> <li>• 2 micrometer standards</li> </ul>
0 - 4" (4 mikes/set)	<b>103-930</b>	<ul style="list-style-type: none"> <li>• 103-177, 103-178, 103-179, 103-180</li> <li>• 3 micrometer standards</li> </ul>
0 - 6" (6 mikes/set)	<b>103-904</b>	<ul style="list-style-type: none"> <li>• 101-105, 101-106, 103-179, 103-180, 103-181, 103-182</li> <li>• 5 micrometer standards</li> </ul>
6" - 12" (6 mikes/set)	<b>103-906</b>	<ul style="list-style-type: none"> <li>• 103-183, 103-184, 103-185, 103-186, 103-187, 103-188</li> <li>• 6 micrometer standards</li> </ul>
0 - 12" (12 mikes/set)	<b>103-905</b>	<ul style="list-style-type: none"> <li>• All micrometers of 103-904 and 103-906 in one set</li> <li>• 11 micrometer standards</li> </ul>



勝特力材料 886-3-5753170  
 勝特力电子(上海) 86-21-54151736  
 勝特力电子(深圳) 86-755-83298787  
[Http://www.100y.com.tw](http://www.100y.com.tw)

# Outside Micrometers

SERIES 340, 104 — with Interchangeable Anvils



## FEATURES

- IP65 water/dust protection level (340 series\*).
- \*Models with a range up to 300mm (12").
- Wide measuring range with interchangeable anvils.
- Carbide-tipped spindle face.
- Provided with a Ratchet Stop for constant force.
- Supplied with zero-setting standards for each range.
- The 340 series (LCD readout type) is provided with SPC output.

## SPECIFICATIONS

Metric	Digital model		
Range	Order No.	Resolution	Interchangeable anvils
0 - 150mm	<b>340-251</b>	0.001mm	0, 25, 50, 75, 100, 125mm
150 - 300mm	<b>340-252</b>	0.001mm	0, 25, 50, 75, 100, 125mm
300 - 400mm	<b>340-513</b>	0.001mm	0, 25, 50, 75mm
400 - 500mm	<b>340-514</b>	0.001mm	0, 25, 50, 75mm
500 - 600mm	<b>340-515</b>	0.001mm	0, 25, 50, 75mm
600 - 700mm	<b>340-516</b>	0.001mm	0, 25, 50, 75mm
700 - 800mm	<b>340-517</b>	0.001mm	0, 25, 50, 75mm
800 - 900mm	<b>340-518</b>	0.001mm	0, 25, 50, 75mm
900 - 1000mm	<b>340-519</b>	0.001mm	0, 25, 50, 75mm

Inch/Metric	Digital model		
Range	Order No.	Resolution	Interchangeable anvils
0 - 6"	<b>340-351</b>	.00005"/0.001mm	0, 1", 2", 3", 4", 5"
6" - 12"	<b>340-352</b>	.0001"/0.001mm	0, 1", 2", 3", 4", 5"
12" - 18"	<b>340-713</b>	.0001"/0.001mm	0, 1", 2", 3", 4", 5"
18" - 24"	<b>340-714</b>	.0001"/0.001mm	0, 1", 2", 3", 4", 5"
24" - 30"	<b>340-715</b>	.0001"/0.001mm	0, 1", 2", 3", 4", 5"
30" - 36"	<b>340-716</b>	.0001"/0.001mm	0, 1", 2", 3", 4", 5"

### Accuracy

- $\pm(4+L/75)\mu\text{m}$  [ $\pm(.0002+.00005(L/3))$ "]\*
- \*L=Maximum measuring length (mm) [(inch)], Fraction rounded up, Excluding quantizing error (340 series)

Metric			
Range	Order No.	Graduation	Interchangeable anvils
0 - 50mm	<b>104-171*</b>	0.01mm	0, 25mm
0 - 100mm	<b>104-139A</b>	0.01mm	0, 25, 50, 75mm
0 - 150mm	<b>104-135A</b>	0.01mm	0, 25, 50, 75, 100, 125mm
100 - 200mm	<b>104-140A</b>	0.01mm	0, 25, 50, 75mm
150 - 300mm	<b>104-136A</b>	0.01mm	0, 25, 50, 75, 100, 125mm
200 - 300mm	<b>104-141A</b>	0.01mm	0, 25, 50, 75mm
300 - 400mm	<b>104-142A</b>	0.01mm	0, 25, 50, 75mm
400 - 500mm	<b>104-143A</b>	0.01mm	0, 25, 50, 75mm
500 - 600mm	<b>104-144A</b>	0.01mm	0, 25, 50, 75mm
600 - 700mm	<b>104-145A</b>	0.01mm	0, 25, 50, 75mm
700 - 800mm	<b>104-146A</b>	0.01mm	0, 25, 50, 75mm
800 - 900mm	<b>104-147A</b>	0.01mm	0, 25, 50, 75mm
900 - 1000mm	<b>104-148A</b>	0.01mm	0, 25, 50, 75mm

\*The frame is in a heat insulating cover

Inch			
Range	Order No.	Graduation	Interchangeable anvils
0 - 2"	<b>104-166</b>	.001"	0, 1"
	<b>104-165</b>	.0001"	0, 1"
0 - 4"	<b>104-149</b>	.001"	0, 1", 2", 3"
0 - 6"	<b>104-137</b>	.001"	0, 1", 2", 3", 4", 5"
6" - 12"	<b>104-138</b>	.001"	0, 1", 2", 3", 4", 5"
12" - 18"	<b>104-201</b>	.001"	0, 1", 2", 3", 4", 5"
18" - 24"	<b>104-202</b>	.001"	0, 1", 2", 3", 4", 5"
24" - 30"	<b>104-203</b>	.001"	0, 1", 2", 3", 4", 5"
30" - 36"	<b>104-204</b>	.001"	0, 1", 2", 3", 4", 5"
36" - 42"	<b>104-205</b>	.001"	0, 1", 2", 3", 4", 5"

Note: .0001" reading is obtained with vernier.

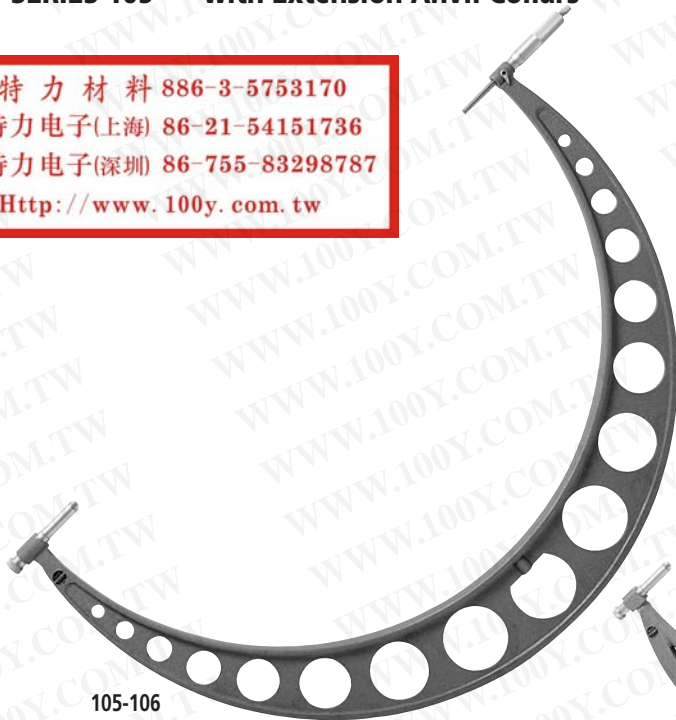
### Measuring faces

- Flatness:
  - 0.6 $\mu\text{m}$  (.000024") for models up to 300mm (12")
  - 1 $\mu\text{m}$  (.00004") for models over 300mm (12")
- Parallelism:  $(2+L/100)\mu\text{m}$  [(0.0008+.00004(L/4))"]\*\*
- \*\*L=Maximum measuring length (mm) [(inch)], Fraction rounded up

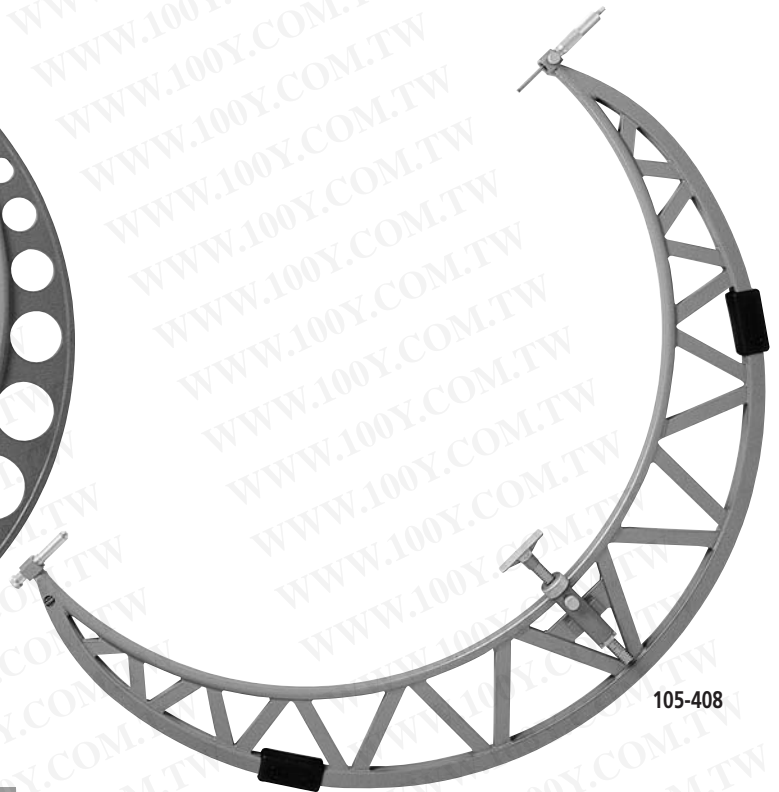
# Outside Micrometers

SERIES 105 — with Extension Anvil Collars

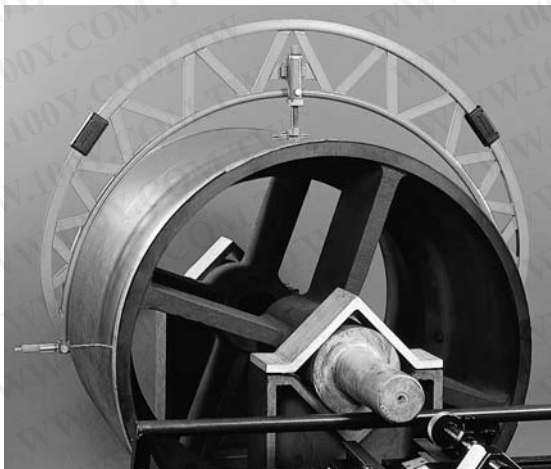
勝特力材料 886-3-5753170  
 勝特力电子(上海) 86-21-54151736  
 勝特力电子(深圳) 86-755-83298787  
 Http://www.100y.com.tw



105-106



105-408



## FEATURES

- Wide measuring range with extension anvil collars.



- 50mm (2") spindle stroke.
- Carbide-tipped measuring faces.
- Provided with Ratchet Stop for constant force.
- Supplied with zero-setting standards for each range.
- Square and round pipes are combined for light weight and rigid frame (for models over 1000mm range).
- Workpiece stopper (for models over 1000mm range).

## SPECIFICATIONS

Metric			
Range	Order No.	Graduation	Extension collars
500 - 600mm	<b>105-103</b>	0.01mm	50mm
600 - 700mm	<b>105-104</b>	0.01mm	50mm
700 - 800mm	<b>105-105</b>	0.01mm	50mm
800 - 900mm	<b>105-106</b>	0.01mm	50mm
900 - 1000mm	<b>105-107</b>	0.01mm	50mm
1000 - 1100mm	<b>105-408</b>	0.01mm	50mm
1100 - 1200mm	<b>105-409</b>	0.01mm	50mm
1000 - 1200mm	<b>105-418</b>	0.01mm	50mm, 100mm
1200 - 1300mm	<b>105-410</b>	0.01mm	50mm
1300 - 1400mm	<b>105-411</b>	0.01mm	50mm
1200 - 1400mm	<b>105-419</b>	0.01mm	50mm, 100mm
1400 - 1500mm	<b>105-412</b>	0.01mm	50mm
1500 - 1600mm	<b>105-413</b>	0.01mm	50mm
1400 - 1600mm	<b>105-420</b>	0.01mm	50mm, 100mm
1600 - 1700mm	<b>105-414</b>	0.01mm	50mm
1700 - 1800mm	<b>105-415</b>	0.01mm	50mm
1600 - 1800mm	<b>105-421</b>	0.01mm	50mm, 100mm
1800 - 1900mm	<b>105-416</b>	0.01mm	50mm
1900 - 2000mm	<b>105-417</b>	0.01mm	50mm
1800 - 2000mm	<b>105-422</b>	0.01mm	50mm, 100mm

## Accuracy

- $\pm(6+L/75)\mu\text{m}^*$
- \*L=Maximum measuring length (mm), Fraction rounded up

## Measuring faces

- Flatness:  $1\mu\text{m}$
- Parallelism:  $(2+L/100)\mu\text{m}^{**}$
- \*\*L=Maximum measuring length (mm), Fraction rounded down



# Outside Micrometers

SERIES 406, 106 — Non-Rotating Spindle Type

勝特力材料 886-3-5753170  
 勝特力电子(上海) 86-21-54151736  
 勝特力电子(深圳) 86-755-83298787  
[Http://www.100y.com.tw](http://www.100y.com.tw)



406-521-30



106-101

## FEATURES

- Carbide-tipped measuring faces.
- Easy-to-read with large vernier on the thimble.
- Provided with a standard except for 25mm (1") model.

## SPECIFICATIONS

Metric	Digital model with ratchet stop		
Range	Order No.	Resolution	Accuracy
0 - 25mm	406-521-30	0.001mm	±3μm
25 - 50mm	406-522-30	0.001mm	±3μm
50 - 75mm	406-523-30	0.001mm	±3μm
75 - 100mm	406-524-30	0.001mm	±4μm

Excluding quantizing error

Metric	With ratchet thimble		
Range	Order No.	Resolution	Accuracy
0 - 25mm	106-101	0.001mm	±2μm
25 - 50mm	106-103	0.001mm	±2μm
50 - 75mm	106-105	0.001mm	±3μm
75 - 100mm	106-106	0.001mm	±4μm

Inch/Metric	Digital model with ratchet stop		
Range	Order No.	Resolution	Accuracy
0 - 1"	406-721-30	.00005"/0.001mm	±.00015"
1" - 2"	406-722-30	.00005"/0.001mm	±.00015"
2" - 3"	406-723-30	.00005"/0.001mm	±.00015"
3" - 4"	406-724-30	.00005"/0.001mm	±.0002"

Excluding quantizing error

Inch	With friction thimble		
Range	Order No.	Graduation	Accuracy
0 - 1"	106-102	.0001"	±.0001"
1" - 2"	106-104	.0001"	±.0001"

## Measuring faces

- Flatness: 0.3μm (.000012")
- Parallelism: 4μm (.00016") for Series 406  
2μm (.00008") for Series 106
- Diameter: 6.35mm (.25") for Series 406  
8mm (.315") for Series 106

## Spline Micrometers

SERIES 331, 111

勝特力材料 886-3-5753170  
 勝特力电子(上海) 86-21-54151736  
 勝特力电子(深圳) 86-755-83298787  
[Http://www.100y.com.tw](http://www.100y.com.tw)



331-251



111-115

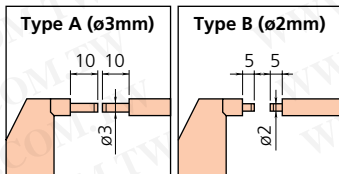


### FEATURES

- IP65 water/dust protection level (331 series).
- The anvil and spindle have a small diameter for measuring splined shafts, slots, and keyways.

#### Anvil/Spindle Dimensions

Unit: mm



- Carbide-tipped measuring faces.
- With Ratchet Stop for constant force.
- Provided with a standard except for 25mm (1") model.
- The 331 series is provided with SPC output.

### SPECIFICATIONS

Metric		Digital model		
Range	Order No.	Resolution	Accuracy	Remarks
0 - 25mm	331-251	0.001mm	±2μm	Type A
	331-261	0.001mm	±2μm	Type B
25 - 50mm	331-252	0.001mm	±2μm	Type A
	331-262	0.001mm	±2μm	Type B
50 - 75mm	331-253	0.001mm	±2μm	Type A
	331-263	0.001mm	±2μm	Type B
75 - 100mm	331-254	0.001mm	±3μm	Type A
	331-264	0.001mm	±3μm	Type B

Excluding quantizing error

Inch/Metric		Digital model		
Range	Order No.	Resolution	Accuracy	Remarks
0 - 1"	331-351	.00005"/0.001mm	±.0001"	Type A
	331-361	.00005"/0.001mm	±.0001"	Type B
1" - 2"	331-352	.00005"/0.001mm	±.0001"	Type A
	331-362	.00005"/0.001mm	±.0001"	Type B
2" - 3"	331-353	.00005"/0.001mm	±.0001"	Type A
	331-363	.00005"/0.001mm	±.0001"	Type B
3" - 4"	331-354	.00005"/0.001mm	±.00015"	Type A
	331-364	.00005"/0.001mm	±.00015"	Type B

Excluding quantizing error

#### Metric

Range	Order No.	Graduation	Accuracy	Remarks
0 - 25mm	111-115	0.01mm	±3μm	Type A
	111-215	0.01mm	±3μm	Type B
25 - 50mm	111-116	0.01mm	±3μm	Type A
50 - 75mm	111-117	0.01mm	±3μm	Type A
75 - 100mm	111-118	0.01mm	±4μm	Type A
100 - 125mm	111-119	0.01mm	±4μm	Type A
125 - 150mm	111-120	0.01mm	±4μm	Type A
150 - 175mm	111-121	0.01mm	±5μm	Type A
175 - 200mm	111-122	0.01mm	±5μm	Type A

#### Inch

Range	Order No.	Resolution	Accuracy	Remarks
0 - 1"	111-166	.0001"	±.00015"	Type A
1" - 2"	111-142	.001"	±.00015"	Type A
2" - 3"	111-143	.001"	±.00015"	Type A

Note: .0001" reading is obtained with vernier.

#### Measuring faces

- Flatness: 0.3μm (.000012")
  - Parallelism:  $(2+L/100)\mu\text{m} [(.00008+.00004 (L/4))"]^*$
- \*L=Maximum measuring length (mm) [(inch)], Fraction rounded up



# Point Micrometers

勝特力材料 886-3-5753170  
 勝特力电子(上海) 86-21-54151736  
 勝特力电子(深圳) 86-755-83298787  
[Http://www.100y.com.tw](http://www.100y.com.tw)

SERIES 342, 142, 112



342-261



112-153

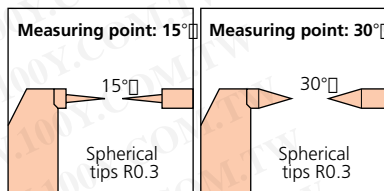
IP65

SPC



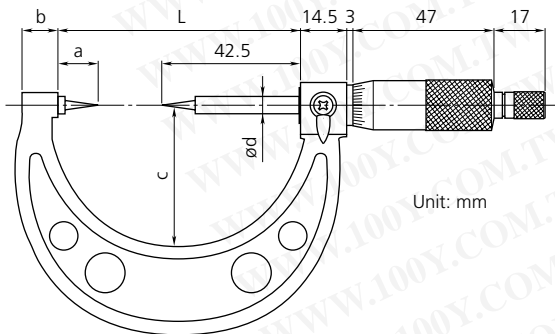
## FEATURES

- IP65 water/dust protection level (342 series).
- Pointed spindle and anvil for measuring the web thickness of drills, small grooves, keyways, and other hard-to-reach dimensions.
- 15 degree and 30 degree measuring points are available.
- The measuring points (carbide-tipped) have approximately 0.3mm (.012") radius.



- With Ratchet Stop for constant force.
- The 342 series is provided with SPC output.
- The 142 series is provided with a digit counter.
- Provided with a standard except for 25mm (1") models.

## Dimensions



Range	L	a	b	c	d
0 - 25mm	55.3	12.8	10	38	6.35
25 - 50mm	80.3	12.8	12	49	6.35
50 - 75mm	105.3	12.8	14	60	6.35
75 - 100mm	132.8	15.3	17	79	6.35

## SPECIFICATIONS

Metric	Digital model	Range	Order No.	Resolution	Accuracy	Point
0 - 25mm	342-251	0.001mm	342-251	0.001mm	±2µm	15°
	342-261	0.001mm	342-261	0.001mm	±2µm	30°
25 - 50mm	342-252	0.001mm	342-252	0.001mm	±2µm	15°
	342-262	0.001mm	342-262	0.001mm	±2µm	30°
50 - 75mm	342-253	0.001mm	342-253	0.001mm	±2µm	15°
	342-263	0.001mm	342-263	0.001mm	±2µm	30°
75 - 100mm	342-254	0.001mm	342-254	0.001mm	±3µm	15°
	342-264	0.001mm	342-264	0.001mm	±3µm	30°

Excluding quantizing error

Inch/Metric	Digital model	Range	Order No.	Resolution	Accuracy	Point
0 - 1"	342-351	.00005"/0.001mm	342-351	.00005"/0.001mm	±.0001"	15°
	342-361	.00005"/0.001mm	342-361	.00005"/0.001mm	±.0001"	30°
1" - 2"	342-352	.00005"/0.001mm	342-352	.00005"/0.001mm	±.0001"	15°
	342-362	.00005"/0.001mm	342-362	.00005"/0.001mm	±.0001"	30°
2" - 3"	342-353	.00005"/0.001mm	342-353	.00005"/0.001mm	±.0001"	15°
	342-363	.00005"/0.001mm	342-363	.00005"/0.001mm	±.0001"	30°
3" - 4"	342-354	.00005"/0.001mm	342-354	.00005"/0.001mm	±.00015"	15°
	342-364	.00005"/0.001mm	342-364	.00005"/0.001mm	±.00015"	30°

Excluding quantizing error

Metric	Range	Order No.	Graduation	Accuracy	Point
0 - 25mm	142-153	142-153	0.01mm	±3µm	15°
	142-201	142-201	0.01mm	±3µm	30°

Inch	Range	Order No.	Graduation	Accuracy	Point
0 - 1"	142-177	142-177	.001"	±.00015"	15°
	142-225	142-225	.001"	±.00015"	30°

## Measuring points

- Parallelism: 3µm (.00012")

Metric				
Range	Order No.	Graduation	Accuracy	Point
0 - 25mm	112-165	0.01mm	±3μm	15°
	112-153*	0.01mm	±3μm	15°
	112-213	0.01mm	±3μm	30°
	112-201*	0.01mm	±3μm	30°
25 - 50mm	112-166	0.01mm	±3μm	15°
	112-154*	0.01mm	±3μm	15°
	112-214	0.01mm	±3μm	30°
	112-202*	0.01mm	±3μm	30°
50 - 75mm	112-167	0.01mm	±3μm	15°
	112-155*	0.01mm	±3μm	15°
	112-215	0.01mm	±3μm	30°
	112-203*	0.01mm	±3μm	30°
75 - 100mm	112-168	0.01mm	±4μm	15°
	112-156*	0.01mm	±4μm	15°
	112-216	0.01mm	±4μm	30°
	112-204*	0.01mm	±4μm	30°

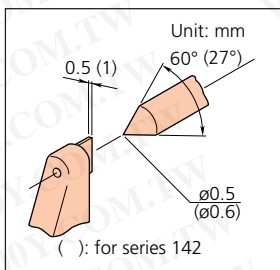
\*The points have not carbide tips.

Inch				
Range	Order No.	Graduation	Accuracy	Point
0 - 1"	112-189	.001"	±.00015"	15°
	112-177*	.001"	±.00015"	15°
	112-237	.001"	±.00015"	30°
	112-225*	.001"	±.00015"	30°
1" - 2"	112-190	.001"	±.00015"	15°
	112-178*	.001"	±.00015"	15°
	112-238	.001"	±.00015"	30°
	112-226*	.001"	±.00015"	30°
2" - 3"	112-191	.001"	±.00015"	15°

\*The points have not carbide tips.

## Crimp Height Micrometers

### SERIES 342, 142, 112 — Point Spindle and Blade Anvil



### FEATURES

- IP65 water/dust protection level (342 series).
- Measures the height of crimp contacts.
- With Ratchet Stop for constant force.
- The 342 series is provided with SPC output.
- The 142 series is provided with a digit counter.

### SPECIFICATIONS

Metric		Digital model	
Range	Order No.	Resolution	Accuracy
0 - 25mm	342-271	0.001mm	±3μm
Excluding quantizing error			

Inch/Metric		Digital model	
Range	Order No.	Resolution	Accuracy
0 - 1"	342-371	.00005"/0.001mm	±.00015"
Excluding quantizing error			

Metric		Mechanical counter model	
Range	Order No.	Graduation	Accuracy
0 - 25mm	142-402	0.01mm	±3μm
	142-403	0.001mm	±3μm

Note: 0.001mm reading is obtained with vernier.

Metric		Mechanical counter model	
Range	Order No.	Graduation	Accuracy
0 - 25mm	112-401	0.01mm	±3μm



# V-Anvil Micrometers

SERIES 314, 114 — 3 Flutes and 5 Flutes

勝特力材料 886-3-5753170  
 勝特力电子(上海) 86-21-54151736  
 勝特力电子(深圳) 86-755-83298787  
[Http://www.100y.com.tw](http://www.100y.com.tw)



314-251

IP65 SPC



114-121



114-102

## FEATURES

- IP65 water/dust protection level (314 series).
- Measures the outside diameter of cutting heads (such as taps, reamers, end mills) with an odd number of flutes.
- Carbide-tipped spindle.
- With Ratchet Stop for constant force.
- V-anvils with a centerline groove are available. They are useful for measuring pitch diameters of taps which have a small diameter by using single-wire method.
- Supplied with a standard for zero point adjustment.
- The 314 series (LCD readout type) is provided with SPC output.

## SPECIFICATIONS

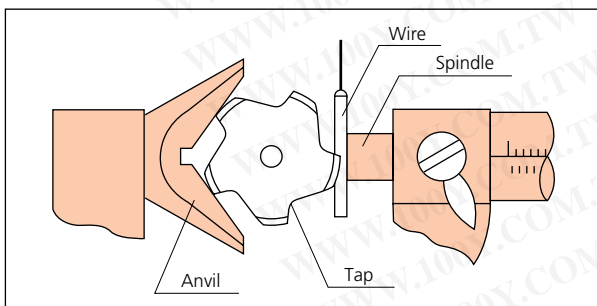
Metric	Digital model for 3 flutes cutting head			
Range	Order No.	Resolution	Accuracy	Remarks
1 - 15mm	314-251	0.001mm	±4μm	w/Groove
	314-261	0.001mm	±4μm	—
10 - 25mm	314-252	0.001mm	±4μm	w/Groove
	314-262	0.001mm	±4μm	—
25 - 40mm	314-253	0.001mm	±5μm	—

Excluding quantizing error

Inch/Metric	Digital model for 3 flutes cutting head			
Range	Order No.	Resolution	Accuracy	Remarks
.05 - .6"	314-351	.00005"/0.001mm	±.0002"	w/Groove
	314-361	.00005"/0.001mm	±.0002"	—
.4" - 1"	314-352	.00005"/0.001mm	±.0002"	w/Groove
	314-362	.00005"/0.001mm	±.0002"	—
1" - 1.6"	314-353	.00005"/0.001mm	±.00025"	—

Excluding quantizing error

## Pitch Diameter Measurement of Tap by Single-wire Method



勝特力材料 886-3-5753170  
 勝特力电子(上海) 86-21-54151736  
 勝特力电子(深圳) 86-755-83298787  
 Http://www.100y.com.tw

**Metric** For 3 flutes cutting head

Range	Order No.	Graduation	Accuracy	Remarks
1 - 15mm	114-101	0.01mm	±4μm	w/Groove
	114-161	0.01mm	±4μm	—
10 - 25mm	114-102	0.01mm	±4μm	w/Groove
	114-162	0.01mm	±4μm	—
2.3 - 25mm	114-204*	0.01mm	±4μm	—
25 - 40mm	114-103	0.01mm	±5μm	—
40 - 55mm	114-104	0.01mm	±6μm	—
55 - 70mm	114-105	0.01mm	±6μm	—
70 - 85mm	114-106	0.01mm	±7μm	—
85 - 100mm	114-107	0.01mm	±7μm	—

\*Carbide-tipped anvil

**Inch** For 3 flutes cutting head

Range	Order No.	Graduation	Accuracy	Remarks
.05 - .6"	114-163	.001"	±.0002"	—
.09" - 1"	114-202*	.0001"	±.0002"	—
1" - 1.6"	114-113	.001"	±.00025"	—
1.6" - 2.2"	114-114	.001"	±.0003"	—

\*Carbide-tipped anvil  
 Note: .0001" reading is obtained with vernier.

**Metric** For 5 flutes cutting head

Range	Order No.	Graduation	Accuracy	Remarks
5 - 25mm	114-121	0.01mm	±4μm	w/Groove
	114-165	0.01mm	±4μm	—
2.3 - 25mm	114-137*	0.01mm	±4μm	—
25 - 45mm	114-122	0.01mm	±5μm	—
45 - 65mm	114-123	0.01mm	±6μm	—
65 - 85mm	114-124	0.01mm	±7μm	—

\*Carbide-tipped anvil

**Inch** For 5 flutes cutting head

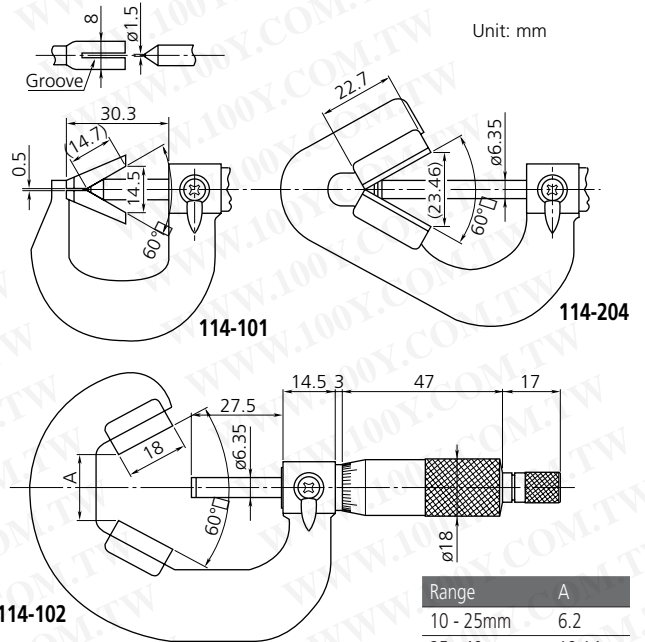
Range	Order No.	Graduation	Accuracy	Remarks
.09" - 1"	114-135*	.0001"	±.0002"	—
1" - 1.8"	114-129	.001"	±.00025"	—

\*Carbide-tipped anvil  
 Note: .0001" reading is obtained with vernier.

**Metric** For 7 flutes cutting head

Range	Order No.	Graduation	Accuracy	Remarks
5 - 25mm	114-151	0.01mm	±4μm	—
25 - 45mm	114-152	0.01mm	±5μm	—

Dimensions



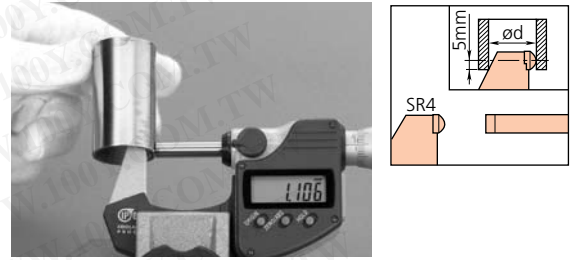
MICROMETERS



# Tube Micrometers

SERIES 395, 295, 115 — Spherical and Cylindrical Anvils

## Spherical Anvil Type

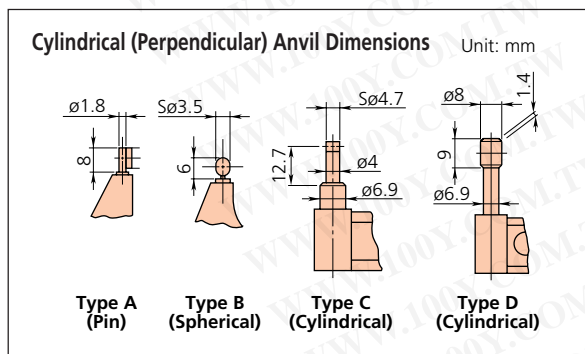
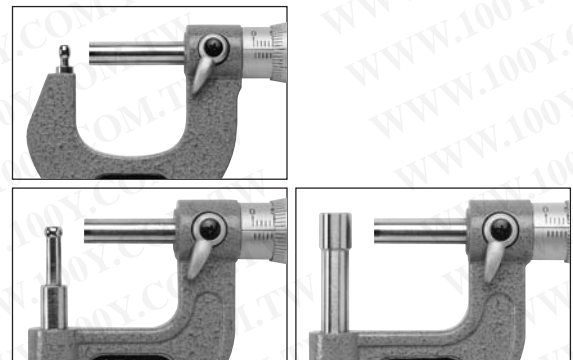


## FEATURES

- IP65 water/dust protection level (395 series).
- Designed to measure the wall thickness of various tubing.
- The Tube Micrometers have two combinations of measuring faces (carbide-tipped): spherical-flat type, and spherical-spherical type.
- Cylindrical anvils (perpendicular) are also available.
- With Ratchet Stop for constant force.
- Provided with a standard except for 25mm (1") model.
- The 295 series is provided with a digit counter.



## Cylindrical Anvil Type



(Unit: mm)

Anvil	d	L
Type A	2	4
Type B	3.6	4
Type C	4.8	12
Type D	8.2	22

勝特力材料 886-3-5753170  
 勝特力电子(上海) 86-21-54151736  
 勝特力电子(深圳) 86-755-83298787  
 Http://www.100y.com.tw

## SPECIFICATIONS

<b>Metric</b> Digital model with spherical anvil				
Range	Order No.	Resolution	Accuracy	Mini. ID of tubing
0 - 25mm	<b>395-251</b>	0.001mm	±2μm	d: 15mm
	<b>395-271*</b>	0.001mm	±2μm	d: 15mm
25 - 50mm	<b>395-252</b>	0.001mm	±2μm	d: 15mm
	<b>395-272*</b>	0.001mm	±2μm	d: 15mm
50 - 75mm	<b>395-253</b>	0.001mm	±2μm	d: 19mm
	<b>395-273*</b>	0.001mm	±2μm	d: 19mm
75 - 100mm	<b>395-254</b>	0.001mm	±3μm	d: 20mm
	<b>395-274*</b>	0.001mm	±3μm	d: 20mm

\*Spherical-spherical type

Excluding quantizing error

<b>Inch/Metric</b> Digital model with spherical anvil				
Range	Order No.	Resolution	Accuracy	Mini. ID of tubing
0 - 1"	<b>395-351</b>	.00005"/0.001mm	±.0001"	d: .59"
	<b>395-371*</b>	.00005"/0.001mm	±.0001"	d: .59"
1" - 2"	<b>395-352</b>	.00005"/0.001mm	±.0001"	d: .59"
	<b>395-372*</b>	.00005"/0.001mm	±.0001"	d: .59"
2" - 3"	<b>395-353</b>	.00005"/0.001mm	±.0001"	d: .75"
	<b>395-373*</b>	.00005"/0.001mm	±.0001"	d: .75"
3" - 4"	<b>395-354</b>	.00005"/0.001mm	±.00015"	d: .79"
	<b>395-374*</b>	.00005"/0.001mm	±.00015"	d: .79"

\*Spherical-spherical type

Excluding quantizing error

<b>Metric</b> Digital model with cylindrical anvil				
Range	Order No.	Resolution	Accuracy	Remarks
0 - 25mm	<b>395-261</b>	0.001mm	±3μm	Type A
	<b>395-262</b>	0.001mm	±3μm	Type B
	<b>395-263</b>	0.001mm	±3μm	Type C
	<b>395-264</b>	0.001mm	±3μm	Type D

Excluding quantizing error

<b>Inch/Metric</b> Digital model with cylindrical anvil				
Range	Order No.	Resolution	Accuracy	Remarks
0 - 1"	<b>395-362</b>	.00005"/0.001mm	±.00015"	Type B
	<b>395-363</b>	.00005"/0.001mm	±.00015"	Type C
	<b>395-364</b>	.00005"/0.001mm	±.00015"	Type D

Excluding quantizing error

<b>Metric</b> Mechanical counter model with spherical anvil				
Range	Order No.	Graduation	Accuracy	Mini. ID of tubing
0 - 25mm	<b>295-115</b>	0.01mm	±3μm	d: 10mm
	<b>295-215*</b>	0.01mm	±3μm	d: 10mm

\*Spherical-spherical type

<b>Inch</b> Mechanical counter model with spherical anvil				
Range	Order No.	Graduation	Accuracy	Mini. ID of tubing
0 - 1"	<b>295-153</b>	.0001"	±.00015"	d: .40"
	<b>295-253*</b>	.0001"	±.00015"	d: .40"

\*Spherical-spherical type

<b>Metric</b> With spherical anvil				
Range	Order No.	Graduation	Accuracy	Mini. ID of tubing
0 - 25mm	<b>115-115</b>	0.01mm	±3μm	d: 10mm
	<b>115-215*</b>	0.01mm	±3μm	d: 10mm
25 - 50mm	<b>115-116</b>	0.01mm	±3μm	d: 11mm
	<b>115-216*</b>	0.01mm	±3μm	d: 11mm
50 - 75mm	<b>115-117</b>	0.01mm	±3μm	d: 17mm
	<b>115-217*</b>	0.01mm	±3μm	d: 17mm
75 - 100mm	<b>115-118</b>	0.01mm	±4μm	d: 18mm
	<b>115-218*</b>	0.01mm	±4μm	d: 18mm

\*Spherical-spherical type

<b>Inch</b> With spherical anvil				
Range	Order No.	Graduation	Accuracy	Mini. ID of tubing
0 - 1"	<b>115-153</b>	.0001"	±.00015"	d: .40"
	<b>115-253*</b>	.0001"	±.00015"	d: .40"
1" - 2"	<b>115-142</b>	.001"	±.00015"	d: .44"
	<b>115-242*</b>	.001"	±.00015"	d: .44"
2" - 3"	<b>115-143</b>	.001"	±.00015"	d: .67"
	<b>115-243*</b>	.001"	±.00015"	d: .67"
3" - 4"	<b>115-144</b>	.001"	±.0002"	d: .71"

\*Spherical-spherical type

Note: .0001" reading is obtained with vernier.

<b>Metric</b> With cylindrical anvil				
Range	Order No.	Graduation	Accuracy	Remarks
0 - 25mm	<b>115-302</b>	0.01mm	±3μm	Type A
	<b>115-308</b>	0.01mm	±3μm	Type B
	<b>115-315</b>	0.01mm	±3μm	Type C
	<b>115-316</b>	0.01mm	±3μm	Type D
25 - 50mm	<b>115-303</b>	0.01mm	±3μm	Type A
	<b>115-309</b>	0.01mm	±3μm	Type B

<b>Inch</b> With cylindrical anvil				
Range	Order No.	Graduation	Accuracy	Remarks
0 - 1"	<b>115-305</b>	.001"	±.00015"	Type A
	<b>115-313</b>	.0001"	±.00015"	Type C
	<b>115-314</b>	.0001"	±.00015"	Type D

Note: .0001" reading is obtained with vernier.



# Universal Micrometers

## SERIES 116 — Interchangeable Anvil Type

勝特力材料 886-3-5753170  
 勝特力电子(上海) 86-21-54151736  
 勝特力电子(深圳) 86-755-83298787  
[Http://www.100y.com.tw](http://www.100y.com.tw)



116-101

### FEATURES

- Non-rotating spindle with seven interchangeable anvils (flat, spline, spherical, point, knife-edge, disk, and blade) for a wide range of applications.
- Interchangeable anvils (pair) are optional.
- V-anvils and conical spindle tips (matching pair) for screw thread measurement are also available.
- With Ratchet Stop for constant force.
- Provided with a standard except for 25mm (1") model.

### SPECIFICATIONS

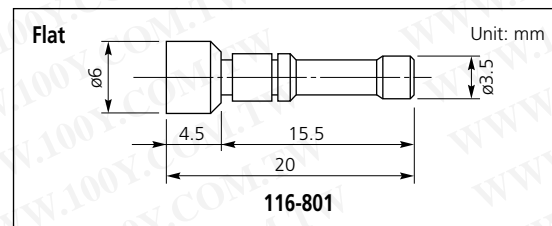
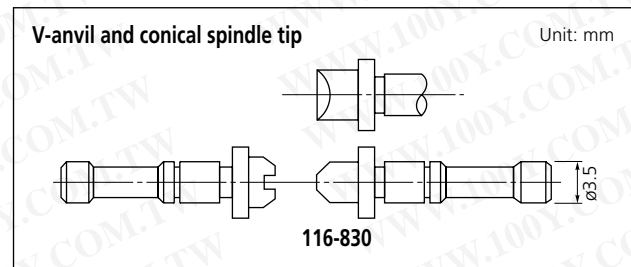
Metric			
Range	Order No.	Graduation	Accuracy
0 - 25mm	<b>116-101</b>	0.01mm	±4μm
25 - 50mm	<b>116-102</b>	0.01mm	±4μm

Inch			
Range	Order No.	Graduation	Accuracy
0 - 1"	<b>116-105</b>	.001"	±.0002"
1" - 2"	<b>116-106</b>	.001"	±.0002"

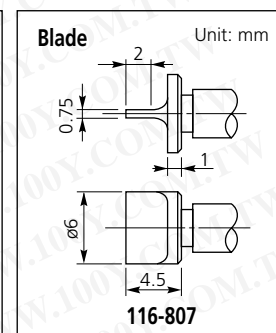
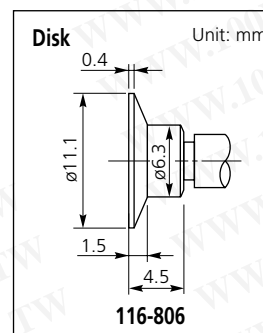
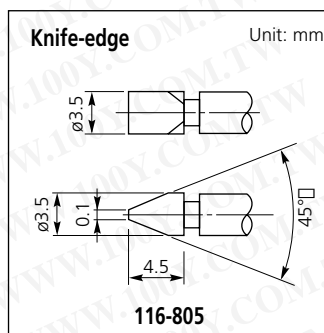
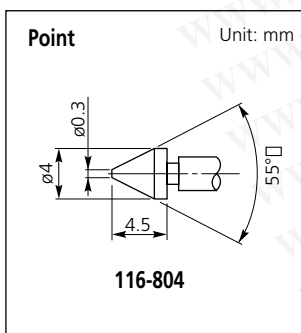
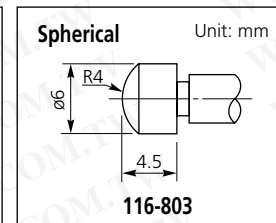
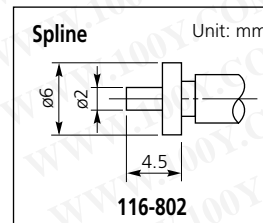
### V-Anvils and Conical Spindle Tips Sets (Optional)

Applications	Order No.	Assortment of anvils and tips
Screw thread measurements (Metric screw, Unified screw)	<b>116-830</b>	0.4 - 0.5mm/64 - 48TPI ( <b>116-831</b> )
		0.6 - 0.9mm/44 - 28TPI ( <b>116-832</b> )
		1 - 1.75mm/24 - 14TPI ( <b>116-833</b> )
		2 - 3mm/13 - 9TPI ( <b>116-834</b> )
		3.5 - 5mm/8 - 5TPI ( <b>116-835</b> )
Screw thread measurements (Whitworth screw)	<b>116-840</b>	5.5 - 7mm/4.5 - 3.5TPI ( <b>116-836</b> )
		60 - 48TPI ( <b>116-841</b> )
		48 - 40TPI ( <b>116-842</b> )
		40 - 32TPI ( <b>116-843</b> )
		32 - 24TPI ( <b>116-844</b> )
		24 - 18TPI ( <b>116-845</b> )
		18 - 14TPI ( <b>116-846</b> )
14 - 10TPI ( <b>116-847</b> )		
10 - 7TPI ( <b>116-848</b> )		
7 - 4.5TPI ( <b>116-849</b> )		
4.5 - 3.5TPI ( <b>116-850</b> )		



### Interchangeable Anvils Set (Optional)

Applications	Order No.	Assortment of anvils
Multi-purpose measurements	<b>116-800</b>	Flat anvils ( <b>116-801</b> )
		Spline anvils ( <b>116-802</b> )
		Spherical anvils ( <b>116-803</b> )
		Point anvils ( <b>116-804</b> )
		Knife-edge anvils ( <b>116-805</b> )
		Disk anvils ( <b>116-806</b> )
		Blade anvils ( <b>116-807</b> )



# "Uni-Mike"

SERIES 317, 117 — Interchangeable Anvil Type



317-251



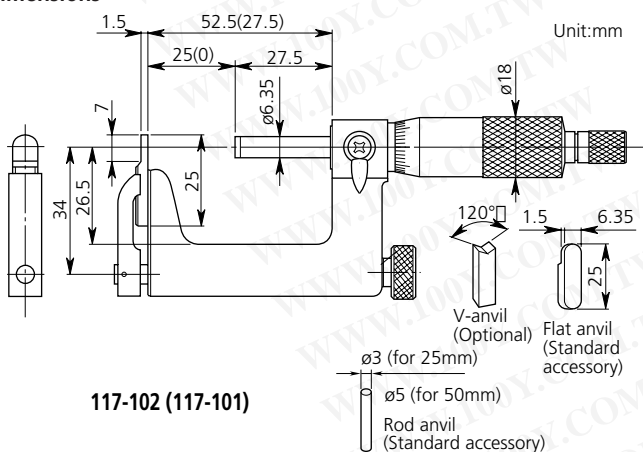
117-101

## FEATURES

- IP65 water/dust protection level (317 series).
- Measures tubing thickness, shoulder-edge distance, rivet head height, etc. with interchangeable anvils (flat anvil, rod anvil, V-anvil).
- Supplied with Flat Anvil (**201216**) and Rod Anvil:  $\varnothing 3\text{mm}$  rod anvil (**201217**) for 0-25mm (0-1") models,  $\varnothing 5\text{mm}$  (**201379**) for 25-50mm (1"-2") model.
- With special Disk Anvils. The Uni-Mike is used as a height micrometer. The disks have a lapped, mirror surface.
- Provided with a standard except for 25mm (1") model.



## Dimensions



## SPECIFICATIONS

Metric	Digital model with ratchet stop		
Range	Order No.	Resolution	Accuracy
0 - 25mm	<b>317-251</b>	0.001mm	$\pm 4\mu\text{m}$
25 - 50mm	<b>317-252</b>	0.001mm	$\pm 4\mu\text{m}$

Excluding quantizing error

Inch/Metric	Digital model with friction thimble		
Range	Order No.	Resolution	Accuracy
0 - 1"	<b>317-351</b>	0.0005"/0.001mm	$\pm .0002$ "
1" - 2"	<b>317-352</b>	0.0005"/0.001mm	$\pm .0002$ "

Excluding quantizing error

Metric	With ratchet stop		
Range	Order No.	Graduation	Accuracy
0 - 25mm	<b>117-101</b>	0.01mm	$\pm 4\mu\text{m}$
25 - 50mm	<b>117-102</b>	0.01mm	$\pm 4\mu\text{m}$

Inch	With friction thimble		
Range	Order No.	Graduation	Accuracy
0 - 1"	<b>117-107</b>	0.01"	$\pm .0002$ "
1" - 2"	<b>117-108</b>	0.01"	$\pm .0002$ "

## Measuring faces

- Flatness:  $0.6\mu\text{m}$  (.000024") for spindle face  
 $2\mu\text{m}$  (.00008") for anvil face
- Parallelism:  $3\mu\text{m}$  (.00012")

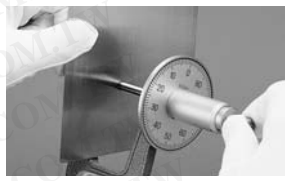
## OPTIONAL ACCESSORIES

Order No.	Description
<b>201218</b>	V-anvil
<b>950758</b>	Disk anvil for 25mm (1") models
<b>950759</b>	Disk anvil for 50mm (2") models

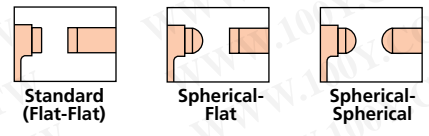


# Sheet Metal Micrometers

SERIES 389, 189, 119, 118



### Anvil-Spindle Combinations



### FEATURES

- Measures thickness of sheet metal, paper, plastic, and rubber parts.
- Carbide-tipped measuring faces.
- With Ratchet Stop for constant force.
- Provided with a standard except for 25mm (1") model.
- IP65 water/dust protection level (389 series\*).
- \*Except for 389-513
- The 189 series is provided with a digit counter.
- The 119 series is provided with a dial for making easy and quick reading.

### SPECIFICATIONS

Metric		Digital model		
Range	Order No.	Resolution	Accuracy	Throat
0 - 25mm	389-251	0.001mm	±4µm	160mm
	389-261*	0.001mm	±4µm	160mm
	389-271**	0.001mm	±4µm	160mm
	389-513	0.001mm	±5µm	300mm
25 - 50mm	389-252	0.001mm	±4µm	165mm
	389-262*	0.001mm	±4µm	165mm
	389-272**	0.001mm	±4µm	165mm

\*Spherical anvil and flat spindle  
 \*\*Spherical anvil and spherical spindle  
 Excluding quantizing error

Inch/Metric		Digital model		
Range	Order No.	Resolution	Accuracy	Throat
0 - 1"	389-351	.00005"/0.001mm	±.0002"	6"
	389-361*	.00005"/0.001mm	±.0002"	6"
	389-371**	.00005"/0.001mm	±.0002"	6"
	389-713	.00005"/0.001mm	±.00025"	12"
1" - 2"	389-352	.00005"/0.001mm	±.0002"	6"
	389-362*	.00005"/0.001mm	±.0002"	6"
	389-372**	.00005"/0.001mm	±.0002"	6"

\*Spherical anvil and flat spindle  
 \*\*Spherical anvil and spherical spindle  
 Excluding quantizing error

Metric		Mechanical counter model		
Range	Order No.	Resolution	Accuracy	Throat
0 - 25mm	189-102	0.01mm	±4µm	150mm

Inch		Mechanical counter model		
Range	Order No.	Resolution	Accuracy	Throat
0 - 1"	189-129	.0001"	±.0002"	6"

Note: .0001" reading is obtained with vernier.

Metric		Mechanical counter model		
Range	Order No.	Graduation	Accuracy	Throat
0 - 25mm	118-101	0.01mm	±4µm	100mm
	118-102	0.01mm	±4µm	150mm
	118-114*	0.01mm	±4µm	150mm
	118-118**	0.01mm	±4µm	150mm
	118-103	0.01mm	±5µm	300mm
25 - 50mm	118-110	0.01mm	±4µm	150mm

\*Spherical anvil and flat spindle  
 \*\*Spherical anvil and spherical spindle

Inch		Mechanical counter model		
Range	Order No.	Graduation	Accuracy	Throat
0 - 1"	118-129	.0001"	±.0002"	6"
	118-116*	.0001"	±.0002"	6"
	118-120**	.0001"	±.0002"	6"
	118-107	.001"	±.00025"	12"
1" - 2"	118-112	.001"	±.0002"	6"

\*Spherical anvil and flat spindle  
 \*\*Spherical anvil and spherical spindle  
 Note: .0001" reading is obtained with vernier.

Metric		Dial reading model		
Range	Order No.	Resolution	Accuracy	Throat
0 - 25mm	119-202*	0.01mm	±4µm	50mm

\*Spherical anvil and flat spindle

### Measuring faces

- Flatness: 0.6µm (.000024") for models with 150mm(6") or less throat depth  
 1µm (.00004") for models with 300mm (12") throat depth
- Parallelism: 3µm (.00012")

# Blade Micrometers

SERIES 422, 122 — Non-Rotating Spindle Type

勝特力材料 886-3-5753170  
 勝特力电子(上海) 86-21-54151736  
 勝特力电子(深圳) 86-755-83298787  
[Http://www.100y.com.tw](http://www.100y.com.tw)



422-111-30



122-101

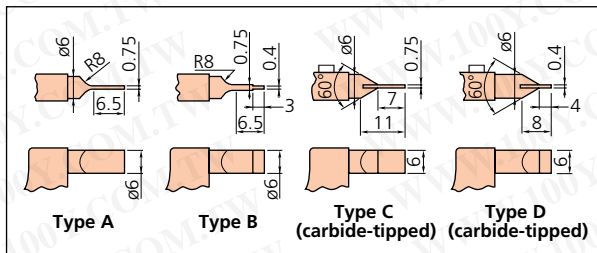


## FEATURES

- The anvil and the spindle have a blade for measuring the groove diameter of shafts, keyways, and other hard-to-reach portions.

### Blade Dimensions

Unit: mm



- With Ratchet Stop for constant force.
- Provided with a standard except for 25mm (1") model.

## SPECIFICATIONS

Metric		Digital model		
Range	Order No.	Resolution	Accuracy	Remarks
0 - 25mm	422-111-30	0.001mm	±3µm	Type A
	422-141-30	0.001mm	±3µm	Type B
	422-121-30	0.001mm	±3µm	Type C
	422-151-30	0.001mm	±3µm	Type D
25 - 50mm	422-112-30	0.001mm	±3µm	Type A
	422-142-30	0.001mm	±3µm	Type B
50 - 75mm	422-113-30	0.001mm	±3µm	Type A
75 - 100mm	422-114-30	0.001mm	±4µm	Type A

Excluding quantizing error

Inch/Metric		Digital model		
Range	Order No.	Resolution	Accuracy	Remarks
0 - 1"	422-311-30	.00005"/0.001mm	±.00015"	Type A
	422-341-30	.00005"/0.001mm	±.00015"	Type B
	422-321-30	.00005"/0.001mm	±.00015"	Type C
	422-351-30	.00005"/0.001mm	±.00015"	Type D
1" - 2"	422-312-30	.00005"/0.001mm	±.00015"	Type A
	422-342-30	.00005"/0.001mm	±.00015"	Type B
2" - 3"	422-313-30	.00005"/0.001mm	±.00015"	Type A
3" - 4"	422-314-30	.00005"/0.001mm	±.0002"	Type A

Excluding quantizing error

Metric				
Range	Order No.	Graduation	Accuracy	Remarks
0 - 25mm	122-101	0.01mm	±3µm	Type A
	122-111	0.01mm	±3µm	Type B
	122-161	0.01mm	±3µm	Type C
	122-141	0.01mm	±3µm	Type D
25 - 50mm	122-102	0.01mm	±3µm	Type A
	122-112	0.01mm	±3µm	Type B
	122-162	0.01mm	±3µm	Type C
	122-142	0.01mm	±3µm	Type D
50 - 75mm	122-103	0.01mm	±3µm	Type A
75 - 100mm	122-104	0.01mm	±4µm	Type A
100 - 125mm	122-105	0.01mm	±4µm	Type A
125 - 150mm	122-106	0.01mm	±4µm	Type A
150 - 175mm	122-107	0.01mm	±5µm	Type A
175 - 200mm	122-108	0.01mm	±5µm	Type A

Inch				
Range	Order No.	Graduation	Accuracy	Remarks
0 - 1"	122-125	.0001"	±.00015"	Type A
	122-135	.0001"	±.00015"	Type B
	122-151	.0001"	±.00015"	Type D
1" - 2"	122-126	.0001"	±.00015"	Type A
	122-136	.0001"	±.00015"	Type B
2" - 3"	122-127	.0001"	±.00015"	Type A
3" - 4"	122-128	.0001"	±.0002"	Type A

### Measuring faces

- Parallelism: 3µm (.00012") for models up to 50mm (2") (3+L/100)µm [(0.0012+0.0004 (L/4))"] for models over 50mm (2")\*

\* L=Maximum measuring length (mm) [(inch)], Fraction rounded up



# Disk Micrometers

SERIES 323, 223, 123

勝特力材料 886-3-5753170  
 勝特力电子(上海) 86-21-54151736  
 勝特力电子(深圳) 86-755-83298787  
[Http://www.100y.com.tw](http://www.100y.com.tw)



323-511-30



123-101

## FEATURES

- The Disk Micrometer is designed to easily measure root tangent length of spur gears and helical gears.
- Diameter of measuring disk: 20mm (.79")
- 0.7mm edge thickness to enter narrow recesses.
- With Ratchet Stop for constant force.
- Provided with a standard except for 25mm (1") model.
- The 323 series (LCD readout type) is provided with SPC output.
- The 223 series is provided with a mechanical digit counter for quick reading of measurements.

## SPECIFICATIONS

Metric		Digital model	
Range	Order No.	Resolution	Accuracy
0 - 25mm	323-511-30	0.001mm	±4μm
25 - 50mm	323-512-30	0.001mm	±4μm
50 - 75mm	323-513-30	0.001mm	±6μm
75 - 100mm	323-514-30	0.001mm	±6μm

Excluding quantizing error

Inch/Metric		Digital model	
Range	Order No.	Resolution	Accuracy
0 - 1"	323-711-30	.00005"/0.001mm	±.0002"
1" - 2"	323-712-30	.00005"/0.001mm	±.0002"
2" - 3"	323-713-30	.00005"/0.001mm	±.0003"
3" - 4"	323-714-30	.00005"/0.001mm	±.0003"

Excluding quantizing error

Metric		Mechanical counter model	
Range	Order No.	Resolution	Accuracy
0 - 25mm	223-101	0.01mm	±4μm
25 - 50mm	223-102	0.01mm	±4μm

Inch		Mechanical counter model	
Range	Order No.	Resolution	Accuracy
0 - 1"	223-125	.001"	±.0002"

## Metric

Range	Order No.	Graduation	Accuracy
0 - 25mm	123-101	0.01mm	±4μm
	123-113*	0.01mm	±4μm
25 - 50mm	123-102	0.01mm	±4μm
	123-114*	0.01mm	±4μm
50 - 75mm	123-103	0.01mm	±6μm
	123-115*	0.01mm	±6μm
75 - 100mm	123-104	0.01mm	±6μm
	123-116*	0.01mm	±6μm
100 - 125mm	123-105	0.01mm	±7μm
125 - 150mm	123-106	0.01mm	±7μm
150 - 175mm	123-107	0.01mm	±8μm
175 - 200mm	123-108	0.01mm	±8μm
200 - 225mm	123-109	0.01mm	±8μm
225 - 250mm	123-110	0.01mm	±9μm
250 - 275mm	123-111	0.01mm	±9μm
275 - 300mm	123-112	0.01mm	±9μm

\*The measuring disks have carbide tips.  
 Note: The disk diameter of models over 100mm is 30mm.

## Inch

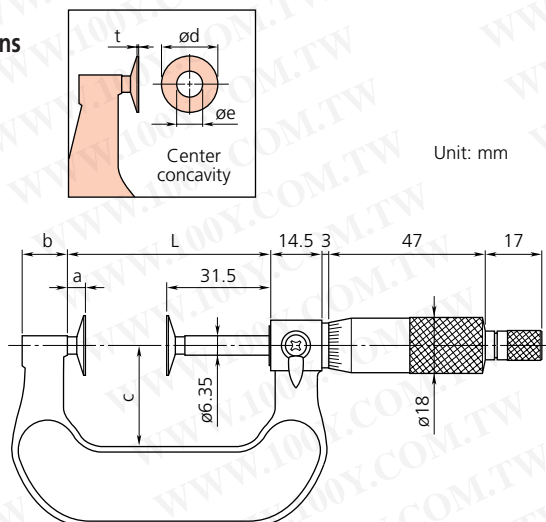
Range	Order No.	Graduation	Accuracy
0 - 1"	123-125	.001"	±.0002"
1" - 2"	123-126	.001"	±.0002"
2" - 3"	123-127	.001"	±.0003"
3" - 4"	123-128	.001"	±.0003"

## Measuring faces

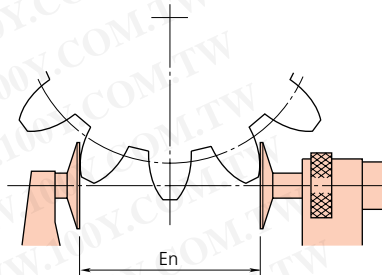
- Flatness: 1μm (.00004") for models up to 100mm (4")  
 1.6μm for models over 100mm
- Parallelism: 4μm (.00016") for models up to 50mm (2")  
 $(4+L/50)\mu\text{m} [(.00016+.00004(L/2))"]^*$   
 for models up to 100mm (4") over 50mm (2")  
 $(5+L/75)\mu\text{m}^*$  for models over 100mm

\* L=Maximum measuring length (mm) [(inch)], Fraction rounded up

Dimensions



TECHNICAL INFORMATION



En = Root tangent length  
 Note: Root tangent length measurement is not available for some types of gears.

Range	L	a	b	c	d	e	t
0 - 25mm	37.5	6	14	25	20	8 (9.8)	0.7
25 - 50mm	62.5	6	14	32	20	8 (9.8)	0.7
50 - 75mm	87	5.5	11	49	20	8 (9.8)	0.7
75 - 100mm	112	5.5	11	63	20	8 (9.8)	0.7
100 - 125mm	137.5	6	12	79	30	12	1
125 - 150mm	162.5	6	15	94	30	12	1
150 - 175mm	187.5	6	16	106	30	12	1
175 - 200mm	212.5	6	15	118	30	12	1
200 - 225mm	237.5	6	14	130	30	12	1
225 - 250mm	262.5	6	14	143	30	12	1
250 - 275mm	287.5	6	15	156	30	12	1
275 - 300mm	312.5	6	15	169	30	12	1

Data in ( ) applies to those with carbide tipped disks.

勝特力材料 886-3-5753170  
 勝特力电子(上海) 86-21-54151736  
 勝特力电子(深圳) 86-755-83298787  
[Http://www.100y.com.tw](http://www.100y.com.tw)

MICROMETERS



Paper Thickness Micrometers

SERIES 169



169-101



FEATURES

- Designed to measure paper thickness.
- Non-rotating spindle.
- With Ratchet Stop for constant force.

SPECIFICATIONS

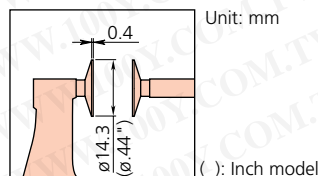
Metric			
Range	Order No.	Graduation	Accuracy
0 - 25mm	169-101	0.01mm	±4µm

Inch			
Range	Order No.	Graduation	Accuracy
0 - 1"	169-103	.001"	±.0002"

Measuring faces

- Flatness: 1µm (.00004")
- Parallelism: 3µm (.00012")
- Dimensions



# Disk Micrometers

SERIES 369, 169 — Non-Rotating Spindle Type

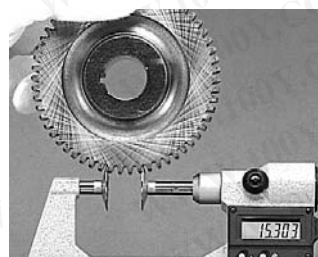
勝特力材料 886-3-5753170  
 勝特力电子(上海) 86-21-54151736  
 勝特力电子(深圳) 86-755-83298787  
[Http://www.100y.com.tw](http://www.100y.com.tw)



369-511-30



169-201



## FEATURES

- Non-rotating spindle eliminates torque on workpiece.
- Diameter of measuring disk: 20mm (.79")
- With Ratchet Stop for constant force.
- Provided with a standard except for 25mm (1") model.
- The 369 series (LCD readout type) is provided with SPC output.

## SPECIFICATIONS

Metric	Digital model	Range	Order No.	Resolution	Accuracy
		0 - 25mm	369-511-30	0.001mm	±4μm
		25 - 50mm	369-512-30	0.001mm	±4μm
		50 - 75mm	369-513-30	0.001mm	±6μm
		75 - 100mm	369-514-30	0.001mm	±6μm

Excluding quantizing error

Inch/Metric	Digital model	Range	Order No.	Resolution	Accuracy
		0 - 1"	369-711-30	.00005"/0.001mm	±.0002"
		1" - 2"	369-712-30	.00005"/0.001mm	±.0002"
		2" - 3"	369-713-30	.00005"/0.001mm	±.0003"
		3" - 4"	369-714-30	.00005"/0.001mm	±.0003"

Excluding quantizing error

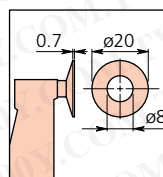
Metric	Range	Order No.	Graduation	Accuracy
	0 - 25mm	169-201	0.01mm	±4μm
	25 - 50mm	169-202	0.01mm	±4μm
	50 - 75mm	169-205	0.01mm	±6μm
	75 - 100mm	169-207	0.01mm	±6μm

Inch	Range	Order No.	Graduation	Accuracy
	0 - 1"	169-203	.001"	±.0002"
	1" - 2"	169-204	.001"	±.0002"
	2" - 3"	169-206	.001"	±.0003"
	3" - 4"	169-208	.001"	±.0003"

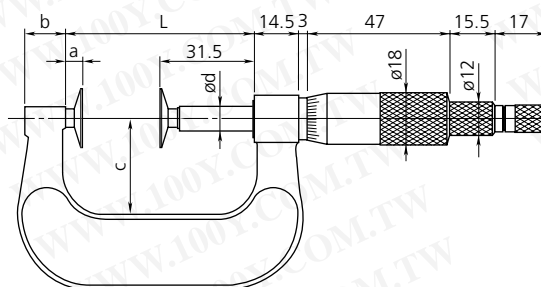
## Measuring faces

- Flatness: 1μm (.00004")
- Parallelism: 4μm (.00016") for models up to 50mm (2")  
6μm (.00024") for models over 50mm (2")

## Dimensions



Unit: mm



Range	L	a	b	c	d
0 - 25mm	37.5	6	13.5	25	8
25 - 50mm	62.5	6	13.5	32	8
50 - 75mm	87	5.5	13	49.5	8
75 - 100mm	112	5.5	13	63.5	8

# Screw Thread Micrometers

勝特力材料 886-3-5753170  
 勝特力电子(上海) 86-21-54151736  
 勝特力电子(深圳) 86-755-83298787  
[Http://www.100y.com.tw](http://www.100y.com.tw)

## SERIES 125



125-103

### FEATURES

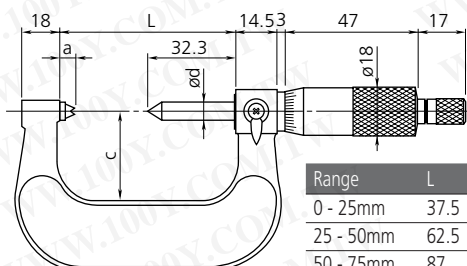
- Provided with a 60 degree V-anvil and conical spindle for easily measuring pitch diameters of metric or unified screw threads.
- With Ratchet Stop for constant force.
- With a standard for zero point adjustment.

### Accuracy

- $\pm(2+L/75)\mu\text{m}^*$

\*L=Maximum measuring length (mm), Fraction rounded up

### Dimensions



Range	L	a	c	d
0 - 25mm	37.5	5.2	25	6.35
25 - 50mm	62.5	5.2	32	6.35
50 - 75mm	87	4.7	49.5	6.35
75 - 100mm	112	4.7	63.5	6.35

### SPECIFICATIONS

Metric			
Range	Order No.	Graduation	Screw to be measured (Metric/Unified)
0 - 25mm	125-101	0.01mm	0.4 - 0.5mm/64 - 48TPI
	125-102	0.01mm	0.6 - 0.9mm/44 - 28TPI
	125-103	0.01mm	1 - 1.75mm/24 - 14TPI
	125-104	0.01mm	2 - 3mm/13 - 9TPI
	125-105	0.01mm	3.5 - 5mm/8 - 5TPI
25 - 50mm	125-106	0.01mm	0.4 - 0.5mm/64 - 48TPI
	125-107	0.01mm	0.6 - 0.9mm/44 - 28TPI
	125-108	0.01mm	1 - 1.75mm/24 - 14TPI
	125-109	0.01mm	2 - 3mm/13 - 9TPI
	125-110	0.01mm	3.5 - 5mm/8 - 5TPI
50 - 75mm	125-111	0.01mm	0.6 - 0.9mm/44 - 28TPI
	125-112	0.01mm	1 - 1.75mm/24 - 14TPI
	125-113	0.01mm	2 - 3mm/13 - 9TPI
	125-114	0.01mm	3.5 - 5mm/8 - 5TPI
	125-115	0.01mm	5.5 - 7mm/4.5 - 3.5TPI
75 - 100mm	125-116	0.01mm	0.6 - 0.9mm/44 - 28TPI
	125-117	0.01mm	1 - 1.75mm/24 - 14TPI
	125-118	0.01mm	2 - 3mm/13 - 9TPI
	125-119	0.01mm	3.5 - 5mm/8 - 5TPI
	125-120	0.01mm	5.5 - 7mm/4.5 - 3.5TPI



# Gear Tooth Micrometers

SERIES 324, 124 — Interchangeable Ball Anvil-Spindle Tip Type

勝特力材料 886-3-5753170  
 勝特力电子(上海) 86-21-54151736  
 勝特力电子(深圳) 86-755-83298787  
[Http://www.100y.com.tw](http://www.100y.com.tw)



324-251



124-173

## FEATURES

- IP65 water/dust protection level (324 series).
- Measures over-pin diameter of gears with precision steel (carbide) ball-tipped measuring faces.
- Interchangeable ball anvil-spindle tips for various gear modules (0.5 - 5.25) are optional.
- With Ratchet Stop for constant force.
- Provided with a standard except for 25mm (1") model.

## SPECIFICATIONS

Metric	Digital model		
Range	Order No.	Resolution	Accuracy
0 - 25mm	324-251	0.001mm	±4μm
25 - 50mm	324-252	0.001mm	±4μm
50 - 75mm	324-253	0.001mm	±4μm
75 - 100mm	324-254	0.001mm	±5μm

Excluding quantizing error

Inch/Metric	Digital model		
Range	Order No.	Resolution	Accuracy
0 - 1"	324-351	.00005"/0.001mm	±.0002"
1" - 2"	324-352	.00005"/0.001mm	±.0002"
2" - 3"	324-353	.00005"/0.001mm	±.0002"
3" - 4"	324-354	.00005"/0.001mm	±.00025"

Excluding quantizing error

Metric			
Range	Order No.	Resolution	Accuracy
0 - 25mm	124-173	0.01mm	±4μm
25 - 50mm	124-174	0.01mm	±4μm
50 - 75mm	124-175	0.01mm	±4μm
75 - 100mm	124-176	0.01mm	±5μm
100 - 125mm	124-177	0.01mm	±5μm
125 - 150mm	124-178	0.01mm	±5μm
150 - 175mm	124-179	0.01mm	±6μm
175 - 200mm	124-180	0.01mm	±6μm
200 - 225mm	124-181	0.01mm	±6μm
225 - 250mm	124-182	0.01mm	±7μm
250 - 275mm	124-183	0.01mm	±7μm
275 - 300mm	124-195	0.01mm	±7μm



## Interchangeable Ball Anvil-Spindle Tips (Optional)

Diameter	Order No.	Gears to be measured Module	Diametral pitch
0.8mm	124-801*	0.5 - 0.55	50
1mm	124-802*	0.6 - 0.65	45
1.191mm (3/64")	124-803*	0.7 - 0.8	35 - 30
1.5mm	124-821*	0.9 - 1	28 - 26
1.588mm (1/16")	124-804*	0.9 - 1	28 - 26
2mm	124-805	1.25	22
2.381mm (3/32")	124-806	1.5	17
2.5mm	124-822	1.5	17
3mm	124-807	1.75	15
3.175mm (1/8")	124-808	—	14
3.5mm	124-823	2	13
3.969mm (5/32")	124-809	2	13
4mm	124-810	2.25	11
4.5mm	124-824	2.5	10
4.763mm (3/16")	124-811	2.5	10
5mm	124-812	2.75	9
5.556mm (7/32")	124-813	3.0 - 3.25	8
6mm	124-814	3.5	7
6.35mm (1/4")	124-815	3.75	7
7mm	124-816	4.0	6.5
7.144mm (9/32")	124-817	4.25	6
7.938mm (5/16")	124-818	4.5	5.5
8mm	124-819	4.75	5.5
8.731mm (11/32")	124-820	5.0 - 5.25	5

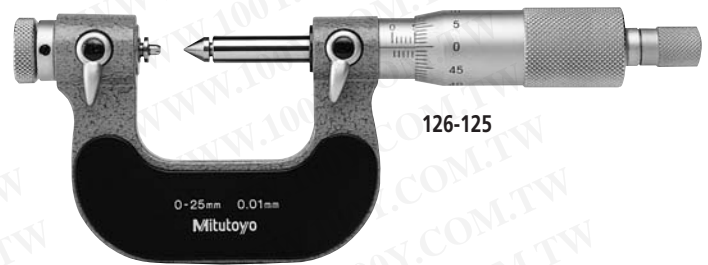
\*Carbide-tipped anvil

# Screw Thread Micrometers

## SERIES 326, 126 — Interchangeable Anvil-Spindle Tip Type



326-251



126-125

### FEATURES

- IP65 water/dust protection level (326 series).
- 60 degree or 55 degree V-anvil and conical spindle (interchangeable) are optional, which are made of high-grade special steel, hardened and precision ground.

Application	Order No.	Assortment of anvil-spindle tips
Metric screw, Unified screw (60° threads)	<b>126-800</b>	0.4 - 0.5mm/64 - 48TPI ( <b>126-801</b> )
		0.6 - 0.9mm/44 - 28TPI ( <b>126-802</b> )
		1 - 1.75mm/24 - 14TPI ( <b>126-803</b> )
		2 - 3mm/13 - 9TPI ( <b>126-804</b> )
		3.5 - 5mm/8 - 5TPI ( <b>126-805</b> )
Whitworth screw (55° threads)	<b>126-810</b>	5.5 - 7mm/4.5 - 3.5TPI ( <b>126-806</b> )
		60 - 48TPI ( <b>126-811</b> )
		48 - 40TPI ( <b>126-812</b> )
		40 - 32TPI ( <b>126-813</b> )
		32 - 24TPI ( <b>126-814</b> )
		24 - 18TPI ( <b>126-815</b> )
		18 - 14TPI ( <b>126-816</b> )
		14 - 10TPI ( <b>126-817</b> )
10 - 7TPI ( <b>126-818</b> )		
7 - 4.5TPI ( <b>126-819</b> )		
4.5 - 3.5TPI ( <b>126-820</b> )		

- Provided with Ratchet Stop for constant force.
- Provided with a standard except for 25mm (1") model.
- The 326 series (LCD readout type) is provided with SPC output.

### SPECIFICATIONS

Metric		Digital model	
Range	Order No.	Resolution	Accuracy
0 - 25mm	<b>326-251</b>	0.001mm	±4μm
25 - 50mm	<b>326-252</b>	0.001mm	±4μm
50 - 75mm	<b>326-253</b>	0.001mm	±4μm
75 - 100mm	<b>326-254</b>	0.001mm	±5μm

Excluding quantizing error

Inch/Metric		Digital model	
Range	Order No.	Resolution	Accuracy
0 - 1"	<b>326-351</b>	.00005"/0.001mm	±.0002"
1" - 2"	<b>326-352</b>	.00005"/0.001mm	±.0002"
2" - 3"	<b>326-353</b>	.00005"/0.001mm	±.0002"
3" - 4"	<b>326-354</b>	.00005"/0.001mm	±.00025"

Excluding quantizing error

### Metric

Range	Order No.	Graduation	Accuracy
0 - 25mm	<b>126-125</b>	0.01mm	±4μm
25 - 50mm	<b>126-126</b>	0.01mm	±4μm
50 - 75mm	<b>126-127</b>	0.01mm	±4μm
75 - 100mm	<b>126-128</b>	0.01mm	±5μm
100 - 125mm	<b>126-129</b>	0.01mm	±5μm
125 - 150mm	<b>126-130</b>	0.01mm	±5μm
150 - 175mm	<b>126-131</b>	0.01mm	±6μm
175 - 200mm	<b>126-132</b>	0.01mm	±6μm
200 - 225mm	<b>126-133</b>	0.01mm	±6μm
225 - 250mm	<b>126-134</b>	0.01mm	±7μm
250 - 275mm	<b>126-135</b>	0.01mm	±7μm
275 - 300mm	<b>126-136</b>	0.01mm	±7μm

### Inch

Range	Order No.	Graduation	Accuracy
1"	<b>126-137</b>	.001"	±.0002"
1" - 2"	<b>126-138</b>	.001"	±.0002"
2" - 3"	<b>126-139</b>	.001"	±.0002"
3" - 4"	<b>126-140</b>	.001"	±.00025"

(Models with a range up to 12" are available.)

### Standards for Screw Thread Micrometers (Optional)

Metric			Inch		
Size	Order No. V=60°	Order No. V=55°	Size	Order No. V=60°	Order No. V=55°
25mm	<b>167-261</b>	<b>167-272</b>	1"	<b>167-294</b>	<b>167-283</b>
50mm	<b>167-262</b>	<b>167-273</b>	2"	<b>167-295</b>	<b>167-284</b>
75mm	<b>167-263</b>	<b>167-274</b>	3"	<b>167-296</b>	<b>167-285</b>
100mm	<b>167-264</b>	<b>167-275</b>	4"	<b>167-297</b>	<b>167-286</b>
125mm	<b>167-265</b>	<b>167-276</b>	5"	<b>167-298</b>	<b>167-287</b>
150mm	<b>167-266</b>	<b>167-277</b>	6"	<b>167-299</b>	<b>167-288</b>
175mm	<b>167-267</b>	<b>167-278</b>	7"	<b>167-300</b>	<b>167-289</b>
200mm	<b>167-268</b>	<b>167-279</b>	8"	<b>167-301</b>	<b>167-290</b>
225mm	<b>167-269</b>	<b>167-280</b>	9"	<b>167-302</b>	<b>167-291</b>
250mm	<b>167-270</b>	<b>167-281</b>	10"	<b>167-303</b>	<b>167-292</b>
275mm	<b>167-271</b>	<b>167-282</b>	11"	<b>167-304</b>	<b>167-293</b>



# Can Seam Micrometers

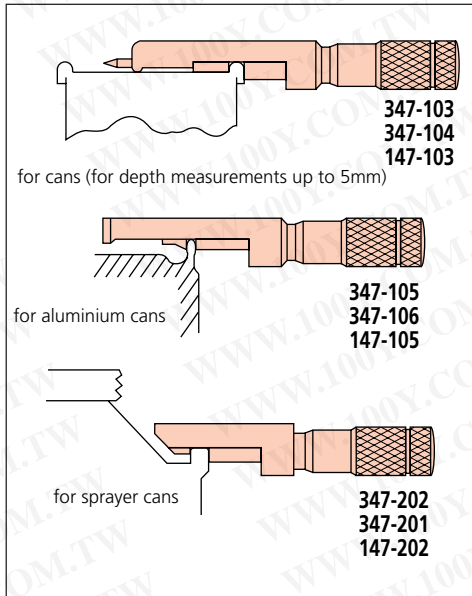
## SERIES 347, 147



147-103



147-202



### SPECIFICATIONS

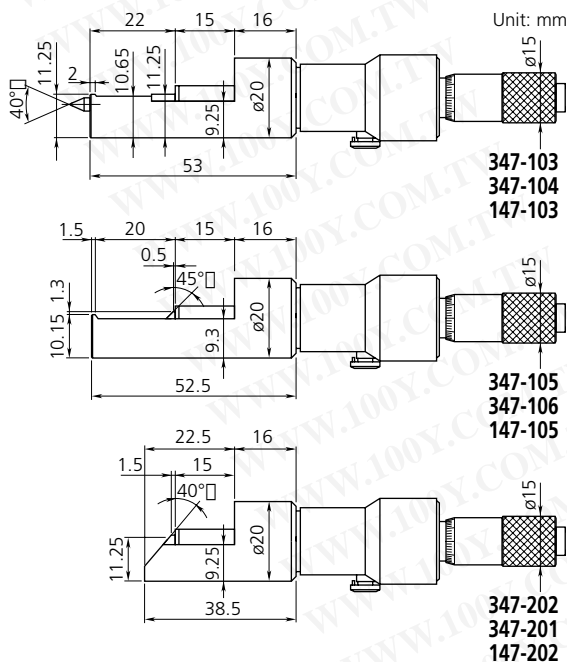
Metric	Digital model	Order No.	Resolution	Remarks
0 - 13mm		347-103	0.001mm	for steel cans
		347-105	0.001mm	for aluminum cans
		347-202	0.001mm	for sprayer cans

Inch/Metric	Digital model	Order No.	Resolution	Remarks
0 - .5"		347-104	.00005"/0.001mm	for steel cans
		347-106	.00005"/0.001mm	for aluminum cans
		347-201	.00005"/0.001mm	for sprayer cans

### FEATURES

- Measures the width, height, and depth of can seams.
- Three types of micrometers are available for : steel cans, aluminum cans, and sprayer cans.

### Dimensions



Metric	Digital model	Order No.	Graduation	Remarks
0 - 13mm		147-103	0.01mm	for steel cans
		147-105	0.01mm	for aluminum cans
		147-202	0.01mm	for sprayer cans

Inch	Digital model	Order No.	Graduation	Remarks
0 - .5"		147-104	.001"	for steel cans
		147-106	.001"	for aluminum cans
		147-201	.001"	for sprayer cans

### Accuracy

- $\pm 3\mu\text{m}$  ( $\pm .00015"$ )  
 Excluding quantizing error. (347 series)

# Hub Micrometers

## SERIES 147



147-301



### FEATURES

- Measures hub thickness and shoulders inside a bore.
- Carbide-tipped measuring faces.
- With Ratchet Stop for constant force.
- Provided with a standard except for 25mm (1") model.

### SPECIFICATIONS

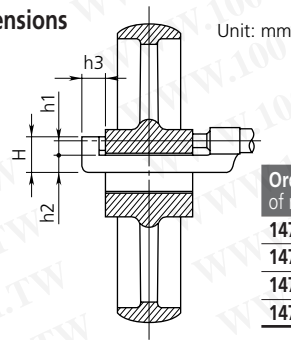
Metric			
Range	Order No.	Graduation	Accuracy
0 - 25mm	147-301	0.01mm	±2μm
25 - 50mm	147-302	0.01mm	±2μm
50 - 75mm	147-303	0.01mm	±2μm
75 - 100mm	147-304	0.01mm	±3μm

Inch			
Range	Order No.	Graduation	Accuracy
0 - 1"	147-351	.001"	±.0001"
1" - 2"	147-352	.001"	±.0001"
2" - 3"	147-353	.001"	±.0001"
3" - 4"	147-354	.001"	±.00015"

### Measuring faces

- Flatness: 0.6μm (.000024")
- Parallelism:  $(2+L/100)\mu\text{m}$  [(0.0008+.00004 (L/4))"]\*  
 \*L=Maximum measuring length (mm) [(inch)], Fraction rounded up

### Dimensions



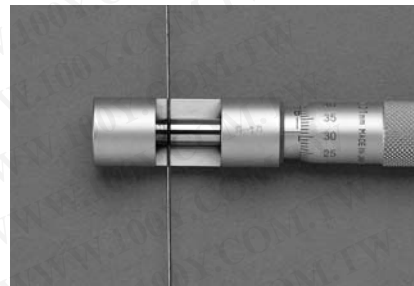
Order No. of micrometer	h1	h2	h3	H
147-301	6	8.5	13.5	17.5
147-302	6.5	11	14	20.5
147-303	6.5	11	13	20.5
147-304	6.5	11	13	20.5

# Wire Micrometers

## SERIES 147



147-401



### FEATURES

- Designed for measuring wire thickness.
- Also used to measure the diameter of a small ball.
- Carbide-tipped measuring faces.

### SPECIFICATIONS

Metric			
Range	Order No.	Graduation	Accuracy
0 - 10mm	147-401	0.01mm	±3μm

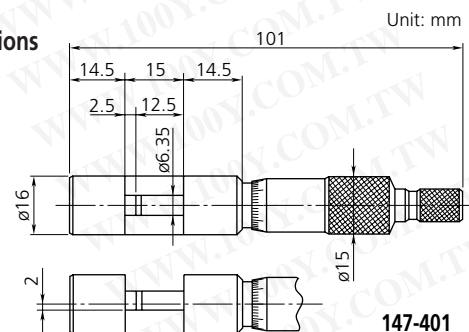
Inch			
Range	Order No.	Graduation	Accuracy
0 - .4"	147-402	.0001"	±.00015"

Note: .0001" reading is obtained with vernier.

### Measuring faces

- Flatness: 0.6μm (.000024")
- Parallelism: 1.3μm (.00006")

### Dimensions



147-401



# Digit Outside Micrometers

## SERIES 193



193-101

### FEATURES

- Mechanical digit counter for quick and error-free reading.
- Direct readout on the counter to 0.01mm (.001").
- Carbide-tipped measuring faces for long life.
- Provided with a standard except for 25mm (1") model.

### SPECIFICATIONS

Metric		With ratchet stop	
Range	Order No.	Graduation	Accuracy
0 - 25mm	193-101	0.01mm	±2µm
	193-111	0.001mm	±2µm
25 - 50mm	193-102	0.01mm	±2µm
	193-112	0.001mm	±2µm
50 - 75mm	193-103	0.01mm	±2µm
	193-113	0.001mm	±2µm
75 - 100mm	193-104	0.01mm	±3µm
	193-114	0.001mm	±3µm
100 - 125mm	193-305	0.01mm	±3µm
125 - 150mm	193-306	0.01mm	±3µm
150 - 175mm	193-307	0.01mm	±4µm
175 - 200mm	193-308	0.01mm	±4µm
200 - 225mm	193-309	0.01mm	±4µm
225 - 250mm	193-310	0.01mm	±5µm

Inch		With ratchet stop	
Range	Order No.	Graduation	Accuracy
2" - 3"	193-213	.0001"	±.0001"
3" - 4"	193-214	.0001"	±.00015"
4" - 5"	193-415	.0001"	±.00015"
5" - 6"	193-416	.0001"	±.00015"
6" - 7"	193-417	.0001"	±.0002"
7" - 8"	193-418	.0001"	±.0002"
8" - 9"	193-419	.0001"	±.0002"
9" - 10"	193-420	.0001"	±.00025"
10" - 11"	193-421	.0001"	±.00025"

Note: 0.001mm (.0001") reading is obtained with vernier.

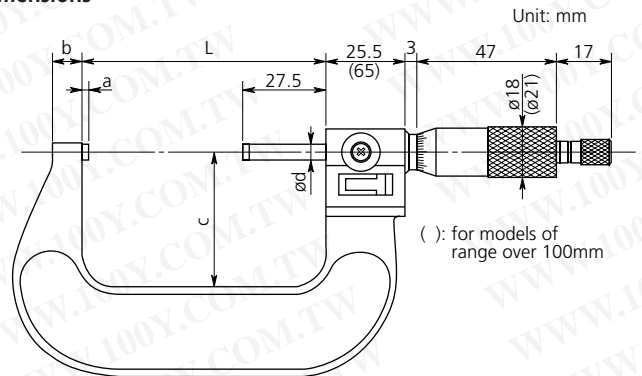
Inch		With friction thimble	
Range	Order No.	Graduation	Accuracy
0 - 1"	193-201	.001"	±.0001"
	193-211	.0001"	±.0001"
1" - 2"	193-202	.001"	±.0001"
	193-212	.0001"	±.0001"

Note: .0001" reading is obtained with vernier.

### Measuring faces

- Flatness: 0.6µm (.000024") for models up to 300mm (12")
  - Parallelism:  $(2+L/100)\mu\text{m} [(.00008+.00004 (L/4))"]^*$
- \*L=Maximum measuring length (mm) [(inch)], Fraction rounded down.

### Dimensions

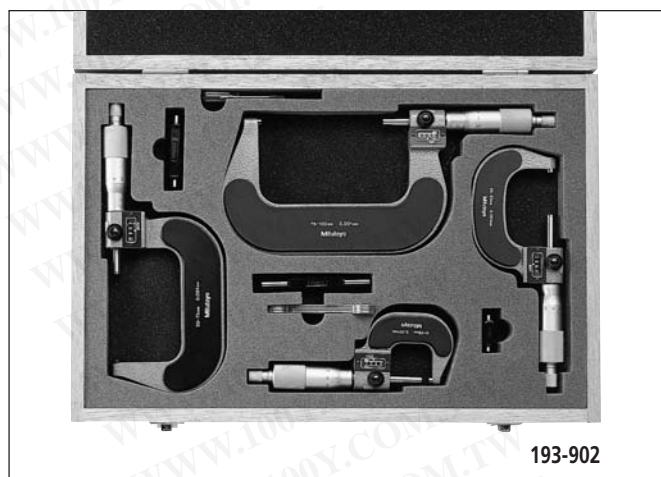


Range	L	a	b	c	d
0 - 25mm	30	2.5	5	26	6.35
25 - 50mm	55	2.5	8	32	6.35
50 - 75mm	80	2.5	9	45	6.35
75 - 100mm	105	2.5	9	57	6.35
100 - 125mm	137	6	18	80	8
125 - 150mm	162	6	18	93	8
150 - 175mm	187	6	18	106	8
175 - 200mm	212	6	19	119	8
200 - 225mm	238	7	20	132	8
225 - 250mm	263	7	19	145	8
250 - 275mm	289	8	19	158	8
275 - 300mm	314	8	20	171	8

Note: The shape of the thimble changes on the model with Friction Thimble.

Metric		Micrometer set
Range	Order No.	Assortment of micrometers
0 - 75mm (3 mikes/set)	193-901	• 193-101, 193-102, 193-103 • 2 micrometer standards
0 - 100mm (4 mikes/set)	193-902	• 193-101, 193-102, 193-103, 193-104 • 3 micrometer standards
0 - 150mm (6 mikes/set)	193-908	• 193-101, 193-102, 193-103, 193-104, 193-305, 193-306 • 5 micrometer standards

Inch		Micrometer set
Range	Order No.	Assortment of micrometers
0 - 3" (3 mikes/set)	193-923	• 193-211, 193-212, 193-213 • 2 micrometer standards
0 - 6" (6 mikes/set)	193-930	• 193-211, 193-212, 193-213, 193-214, 193-415, 193-416 • 5 micrometer standards



193-902

MICROMETERS

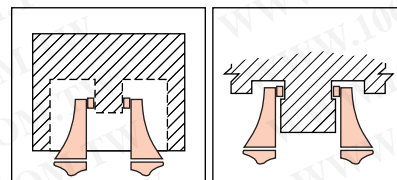


## Caliper Type Micrometers

### SERIES 343, 143



343-511-30



### FEATURES

- Carbide-tipped measuring faces.
- With Ratchet Stop for constant force.
- Provided with a standard except for 25mm (1") model.

### SPECIFICATIONS

Metric		Digital model	
Range	Order No.	Resolution	Accuracy
0 - 25mm	343-511-30	0.001mm	±5μm
25 - 50mm	343-512-30	0.001mm	±6μm
50 - 75mm	343-513-30	0.001mm	±7μm
75 - 100mm	343-514-30	0.001mm	±8μm

Excluding quantizing error

Inch/Metric		Digital model	
Range	Order No.	Resolution	Accuracy
0 - 1"	343-711-30	.00005"/0.001mm	±.00025"
1" - 2"	343-712-30	.00005"/0.001mm	±.0003"
2" - 3"	343-713-30	.00005"/0.001mm	±.00035"
3" - 4"	343-714-30	.00005"/0.001mm	±.0004"

Excluding quantizing error

Metric			
Range	Order No.	Graduation	Accuracy
0 - 25mm	143-101	0.01mm	±5μm
25 - 50mm	143-102	0.01mm	±6μm
50 - 75mm	143-103	0.01mm	±7μm
75 - 100mm	143-104	0.01mm	±8μm
100 - 125mm	143-105	0.01mm	±9μm

Models with a range up to 300mm are available.

Inch			
Range	Order No.	Graduation	Accuracy
0 - 1"	143-121	.001"	±.00025"
1" - 2"	143-122	.001"	±.0003"

Models with a range up to 4" are available.

### Measuring faces

- Flatness: 0.3μm (.000012")
  - Parallelism: (3+L/75)μm [(0.0012+.00004 (L/3))"]\*
- \* L=Maximum measuring length (mm) [(inch)], Fraction rounded down

# Digimatic Micrometers

SERIES 227 — with Constant & Adjustable Fine-loading Device



227-203



227-201



227-221

MICROMETERS

## FEATURES

- Constant and low measuring force mechanism in the thimble.
- Adjustable measuring force\* accommodates various kind of work materials. \*0.5-2.5N or 2-10N



Plastic pipe



Rubber sheet

- The measurement-value hold function automatically retains the data at a specified measuring force, ensuring accuracy.
- Large LCD digits of 7.5mm height for error-free reading.
- Non-rotating spindle and the new ratchet friction thimble.
- Speedy spindle feed of 10 mm/4".
- With absolute linear scale.
- The IP54 level water resistance protection (when not connected with data output cable).
- With SPC data output.
- With a standard bar to set the origin point (for models with 15 - 30mm range).

## SPECIFICATION

Metric				
Range	Order No.	Resolution	Accuracy	Measuring force
0 - 15mm	227-201	0.001mm	±2µm	0.5N - 2.5N
	227-202	0.001mm	±2µm	2N - 10N
15 - 30mm	227-203	0.001mm	±2µm	0.5N - 2.5N
	227-204	0.001mm	±2µm	2N - 10N

Excluding quantizing error

Inch/Metric				
Range	Order No.	Resolution	Accuracy	Measuring force
0 - .6"	227-211	.00005"/0.001mm	±.0001"	0.5N - 2.5N
	227-212	.00005"/0.001mm	±.0001"	2N - 10N
.6" - 1.2"	227-213	.00005"/0.001mm	±.0001"	0.5N - 2.5N
	227-214	.00005"/0.001mm	±.0001"	2N - 10N

Excluding quantizing error

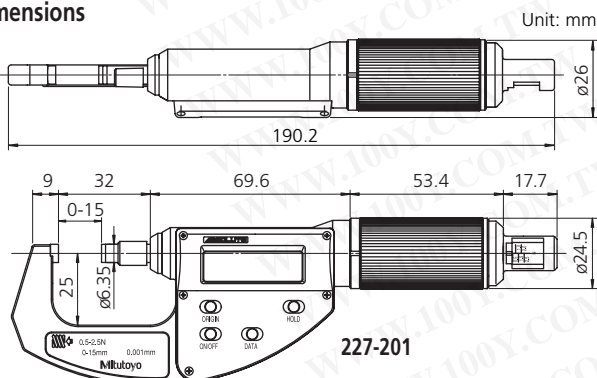
Metric Disk type				
Range	Order No.	Resolution	Accuracy	Measuring force
0 - 15mm	227-221	0.001mm	±4µm	0.5N - 2.5N
	227-222	0.001mm	±4µm	2N - 10N

Excluding quantizing error

Inch/Metric Disk type				
Range	Order No.	Resolution	Accuracy	Measuring force
0 - .6"	227-231	.00005"/0.001mm	±.0002"	0.5N - 2.5N
	227-232	.00005"/0.001mm	±.0002"	2N - 10N

Excluding quantizing error

## Dimensions



227-201

# Low Force Micrometers

勝特力材料 886-3-5753170  
 勝特力电子(上海) 86-21-54151736  
 勝特力电子(深圳) 86-755-83298787  
[Http://www.100y.com.tw](http://www.100y.com.tw)

## SERIES 227



227-101

### SPECIFICATION

Metric				
Range	Order No.	Graduation	Accuracy	Mass
0 - 25mm	227-101	0.01mm	±2µm	262g
25 - 50mm	227-102	0.01mm	±2µm	290g

Inch				
Range	Order No.	Graduation	Accuracy	Mass
0 - 1"	227-111	.0001"	±.0001"	.58 lbs.

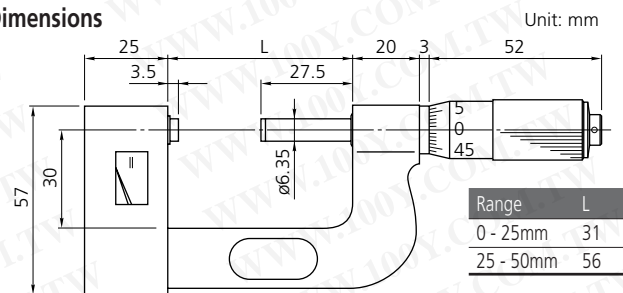
### FEATURES

- Low Force Micrometers are specially designed for elastic workpieces such as plastic parts.
- Constant measuring force of 1N is ensured by the spring-loaded anvil.
- The spindle does not rotate.
- With a friction thimble.
- Carbide-tipped measuring faces.
- Provided with a standard to set the origin point for 25-50mm model.

### Technical Data

Measuring faces: Carbide-tipped  
 Flatness of measuring faces: 0.6µm  
 Parallelism between measuring faces: 3µm  
 Measuring force: 1N

### Dimensions



# Digimatic Bench Micrometer

## SERIES 121 — Interchangeable Anvil Type



121-145



### FEATURES

- The LCD panel rotates within 330 degrees for use in horizontal or vertical position.
- Interchangeable anvils allow a wide measuring range of 50mm (2").
- Provided with a ratchet stop for constant force.
- Provided with a standard to set the origin for 25-50mm measurement.

### SPECIFICATION

Metric				
Range	Order No.	Resolution	Accuracy	Mass
0 - 50mm	121-145	0.001mm	±2µm	2.3kg

Excluding quantizing error

Inch/Metric				
Range	Order No.	Resolution	Accuracy	Mass
0 - 2"	121-155	.00005"/0.001mm	±.0001"	5.07 lbs.

Excluding quantizing error

### Technical Data

Display: LCD  
 Functions: Zero-Set, presetting, power on/off, counting direction switching, inch/mm conversion (inch/mm type only), SPC data output  
 Micrometer head stroke: 25mm (1")  
 Measuring faces: Carbide-tipped  
 Measuring force: 6N - 10N  
 Battery: SR44 (2 pcs.) (938882 X 2 pcs.)  
 Battery life: Approx. 1.8 years under normal use  
 Alarm: Low battery voltage, over-speed error, over-flow error  
 Operating temperature: 5°C to 40°C

### OPTIONAL ACCESSORIES

Order No.	Description
937387	SPC cable (1m)
965013	SPC cable (2m)

# Snap Meters

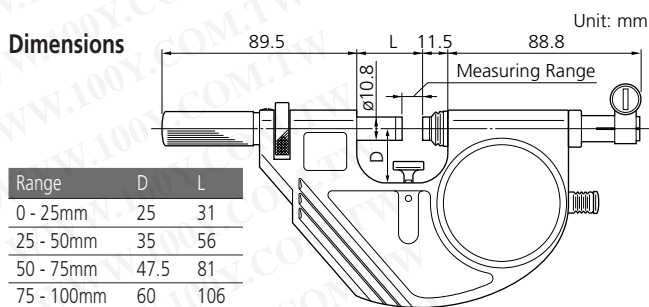
SERIES 523



Indicator is optional.

523-141

## Dimensions



Range	D	L
0 - 25mm	25	31
25 - 50mm	35	56
50 - 75mm	47.5	81
75 - 100mm	60	106

## Accuracy (dispersion of indication)

0.4μm (.00002")

## Measuring faces

- Flatness: 0.3μm (.000015")
- Parallelism:  
 0.6μm (.00003") for models up to 50mm (2")  
 1μm (.00005") for models up to 100mm (4")

## FEATURES

- Various types of indicator can be selected according to the measurement applications.
- Spindle diameter: 10.8mm (.425")
- Carbide-tipped measuring faces.
- Measuring force: 5 - 15N (500 - 1500gf)

## SPECIFICATIONS

Metric		
Range	Order No.	Anvil movement
0 - 25mm	523-141	2mm
25 - 50mm	523-142	2mm
50 - 75mm	523-143	2mm
75 - 100mm	523-144	2mm

Inch		
Range	Order No.	Anvil movement
0 - 1"	523-115	.078"
1" - 2"	523-152	.078"
2" - 3"	523-153	.078"
3" - 4"	523-154	.078"

# Dial Snap Meters

SERIES 523



523-101



## FEATURES

- Direct GO/NO-GO judgment for mass-produced parts.
- Spindle diameter: 10.8mm (.425")
- Carbide-tipped measuring faces.
- Measuring force: 6 - 15N (600 - 1500gf)
- IP protection level: 54

## SPECIFICATIONS

Metric			
Range	Order No.	Graduation of indicator	Indicating range
0 - 25mm	523-121	0.001mm	±0.060mm
25 - 50mm	523-122	0.001mm	±0.060mm
50 - 75mm	523-123	0.001mm	±0.060mm
75 - 100mm	523-124	0.001mm	±0.060mm

Inch			
Range	Order No.	Graduation of indicator	Indicating range
0 - 1"	523-131	.00005"	±.0023"
1" - 2"	523-132	.00005"	±.0023"
2" - 3"	523-133	.00005"	±.0023"
3" - 4"	523-134	.00005"	±.0023"

## Accuracy

1μm (.00005") for ±0.060mm (±.0023") indicating range

## Measuring faces

- Flatness: 0.3μm (.000015")
- Parallelism:  
 0.6μm (.00003") for models up to 50mm (2")  
 1μm (.00005") for models up to 100mm (4")

## Indicating Micrometers

勝特力材料 886-3-5753170  
 勝特力电子(上海) 86-21-54151736  
 勝特力电子(深圳) 86-755-83298787  
[Http://www.100y.com.tw](http://www.100y.com.tw)

### SERIES 510



### FEATURES

- Retractable anvil with indicator for three-wire measurements of pitch diameter of precision screws, roundness and parallelism measurements.
- Spindle diameter: 8mm (.315")
- Carbide-tipped measuring faces.
- Measuring force: 5 - 15N (500 - 1500gf)
- Provided with a standard except for 25mm (1") model.
- IP protection level: 54

### Accuracy

- Micrometer: 3 $\mu$ m (.00015")
- Indicator: 1 $\mu$ m (.00005")

### Measuring faces

- Flatness: 0.3 $\mu$ m (.000015")
- Parallelism: 0.6 $\mu$ m (.00003") for models up to 50mm (2")  
 1 $\mu$ m (.00005") for models over 50mm (2")

### SPECIFICATIONS

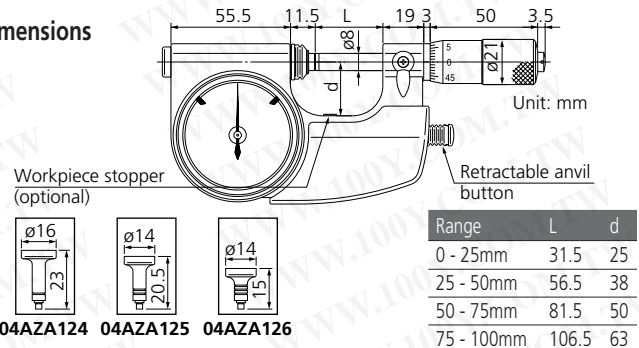
Metric			
Range	Order No.	Graduation of indicator	Indicating range
0 - 25mm	<b>510-121*</b>	0.001mm	$\pm 0.060$ mm
25 - 50mm	<b>510-122</b>	0.001mm	$\pm 0.060$ mm
50 - 75mm	<b>510-123</b>	0.001mm	$\pm 0.060$ mm
75 - 100mm	<b>510-124</b>	0.001mm	$\pm 0.060$ mm

\*510-151: Retractable anvil button on the left side.

Inch			
Range	Order No.	Graduation of indicator	Indicating range
0 - 1"	<b>510-131*</b>	.00005"	$\pm .0023$ "
1" - 2"	<b>510-132</b>	.00005"	$\pm .0023$ "
2" - 3"	<b>510-133</b>	.00005"	$\pm .0023$ "
3" - 4"	<b>510-134</b>	.00005"	$\pm .0023$ "

\*510-141: Retractable anvil button on the left side.

### Dimensions



## Outside Micrometers

### SERIES 107



### FEATURES

- With dial indicator for direct GO/NG-GO judgment for mass-produced parts.
- Anvil retracting trigger for quick measurement.
- Anvil retracting range: 4mm
- Carbide-tipped measuring faces.
- Provided with a standard except for 25mm model.



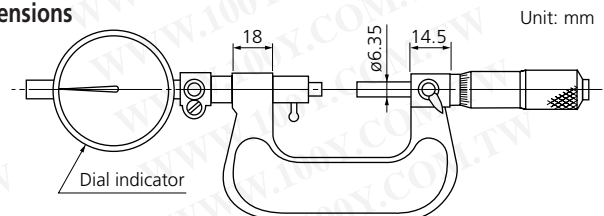
### SPECIFICATIONS

Metric		
Range	Order No.	Accuracy
0 - 25mm	<b>107-201</b>	$\pm 2\mu$ m
25 - 50mm	<b>107-202</b>	$\pm 2\mu$ m
50 - 75mm	<b>193-203</b>	$\pm 2\mu$ m
75 - 100mm	<b>107-204</b>	$\pm 3\mu$ m
100 - 125mm	<b>172-205</b>	$\pm 3\mu$ m
125 - 150mm	<b>172-206</b>	$\pm 3\mu$ m
150 - 175mm	<b>172-207</b>	$\pm 4\mu$ m
175 - 200mm	<b>172-208</b>	$\pm 4\mu$ m

### Measuring faces

- Flatness: 0.6 $\mu$ m
  - Parallelism: (2+L/100) $\mu$ m
- \*L=Maximum measuring length (mm), Fraction rounded down.

### Dimensions



# Limit Micrometers

SERIES 113

勝特力材料 886-3-5753170  
勝特力电子(上海) 86-21-54151736  
勝特力电子(深圳) 86-755-83298787  
[Http://www.100y.com.tw](http://www.100y.com.tw)



113-102



MICROMETERS

## FEATURES

- Can be used as a GO/±NG gage by setting the upper and lower limits.
- Carbide-tipped measuring faces.
- Provided with a standard for 25mm - 50mm model.

## SPECIFICATIONS

Metric			
Range	Order No.	Graduation	Accuracy
0 - 25mm	<b>113-102</b>	0.01mm	±3μm
25 - 50mm	<b>113-103</b>	0.01mm	±3μm

### Measuring faces

- Flatness: 0.6μm
- Parallelism:  $(3+L/100)\mu\text{m}^*$

\* L=Maximum measuring length (mm) Fraction rounded down

# Optical Flats

## SERIES 158



158-118

### FEATURES

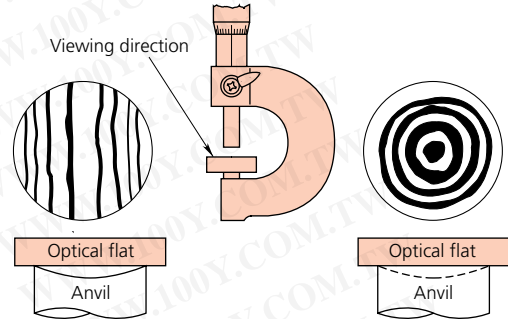
- Used for inspecting the flatness of micrometer's or gauge block's measuring faces with high accuracy.

### SPECIFICATIONS

Metric			
Flatness	Order No.	Diameter	Thickness
0.2μm	158-117	45mm	12mm
	158-119	60mm	15mm
0.1μm	158-118	45mm	12mm
	158-120	60mm	15mm

### TECHNICAL INFORMATION

Flatness Check of Measuring Faces Using Interference Fringe Pattern Produced by an Optical Flat



Inch			
Flatness	Order No.	Diameter	Thickness
.000004"	158-122	1.8"	.5"
	158-124	2.4"	.6"

# Optical Parallels

## SERIES 157



157-903

### FEATURES

- Designed to inspect parallelism and flatness of measuring faces of micrometers.
- Each set consists of 4 thicknesses.
- Flatness: 0.1μm (.000004")
- Parallelism: 0.2μm (.000008")
- Diameter of optical parallel: 30mm (1.19")
- Supplied with fitted carrying case.

### SPECIFICATIONS

Metric		
Range of micrometer to be checked	Order No.	Assortment of parallels (Thickness of parallel)
0-25mm	157-903	12.00, 12.12, 12.25, 12.37mm
25-50mm	157-904	25.00, 25.12, 25.25, 25.37mm

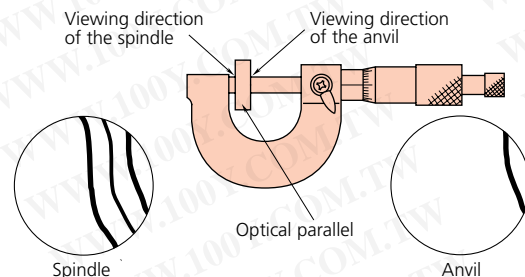
### TECHNICAL INFORMATION

Parallelism Check between Measuring Faces by Means of Interference Fringe Produced by an Optical Parallel

The parallelism between the measuring faces can be determined as follows; bring the optical parallel to the anvil and observe the number of interference fringes produced on the spindle side under the measuring force of the micrometers.

The parallelism is about 1μm (0.32μm x 3 = 0.96μm).

Fringe on the anvil side must not be more than one.



Inch		
Range of micrometer to be checked	Order No.	Assortment of parallels (Thickness of parallel)
0-1"	157-901	.5000", .5062", .5125", .5187"
1-2"	157-902	1.0000", 1.0062", 1.0125", 1.0187"



# Micrometer Standards

## SERIES 167



### Technical Data

Flatness of measuring faces:  $0.3\mu\text{m}$  (.000012")  
 Parallelism between measuring faces:  $2\mu\text{m}$  (.00008")

### SPECIFICATIONS

Metric			Inch		
Length	Order No.	Diameter	Length	Order No.	Diameter
25mm	167-101	6.35mm	525mm	167-121	11.9mm
50mm	167-102	6.35mm	550mm	167-122	11.9mm
75mm	167-103	6.35mm	575mm	167-123	11.9mm
100mm	167-104	7.9mm	600mm	167-124	11.9mm
125mm	167-105	7.9mm	625mm	167-125	11.9mm
150mm	167-106	7.9mm	650mm	167-126	11.9mm
175mm	167-107	7.9mm	675mm	167-127	11.9mm
200mm	167-108	9.4mm	700mm	167-128	11.9mm
225mm	167-109	9.4mm	725mm	167-129	11.9mm
250mm	167-110	9.4mm	750mm	167-130	11.9mm
275mm	167-111	9.4mm	775mm	167-131	11.9mm
300mm	167-112	9.4mm	800mm	167-132	11.9mm
325mm	167-113	9.4mm	825mm	167-133	11.9mm
350mm	167-114	9.4mm	850mm	167-134	11.9mm
375mm	167-115	9.4mm	875mm	167-135	11.9mm
400mm	167-116	9.4mm	900mm	167-136	11.9mm
425mm	167-117	9.4mm	925mm	167-137	11.9mm
450mm	167-118	9.4mm	950mm	167-138	11.9mm
475mm	167-119	9.4mm	975mm	167-139	11.9mm
500mm	167-120	11.9mm	1000mm	167-140	11.9mm

### FEATURES

- Used for the zero point setting of outside micrometers.
- Flat and lapped measuring faces.
- Heat insulating handle for preventing expansion due to body temperature.



MICROMETERS

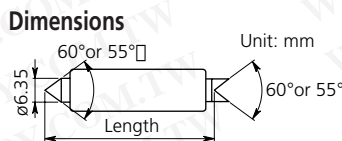
# Standards for Screw Thread Micrometers

## SERIES 167 — 60 degree and 55 degree



### FEATURES

- Specially designed for the zero point setting of screw thread micrometers.



### SPECIFICATIONS

Metric			Inch		
Length	Order No.	Thread angle	Length	Order No.	Thread angle
25mm	167-261	60°	1"	167-294	60°
	167-272	55°		167-283	55°
50mm	167-262	60°	2"	167-295	60°
	167-273	55°		167-284	55°
75mm	167-263	60°	3"	167-296	60°
	167-274	55°		167-285	55°
100mm	167-264	60°	4"	167-297	60°
	167-275	55°		167-286	55°

# Standards for V-Anvil Micrometers

## SERIES 167



### FEATURES

- Specially designed for the zero point setting of V-anvil micrometers.

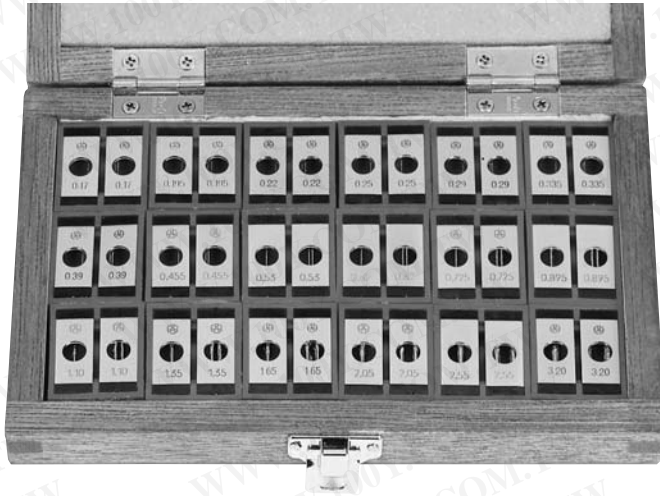
### SPECIFICATIONS

Metric			Inch		
Length	Order No.	Type	Length	Order No.	Type
5mm	167-327	Plug	.2"	167-337	Plug
10mm	167-328	Plug	.4"	167-338	Plug
25mm	167-329	Plug	1"	167-339	Plug
40mm	167-330	Plug	1.6"	167-340	Ring
55mm	167-331	Plug	2.2"	167-341	Ring
70mm	167-332	Plug	2.8"	167-342	Ring
85mm	167-333	Plug	3.4"	167-343	Ring

# 3-Wire Units

SERIES 313

勝特力材料 886-3-5753170  
 勝特力电子(上海) 86-21-54151736  
 勝特力电子(深圳) 86-755-83298787  
[Http://www.100y.com.tw](http://www.100y.com.tw)



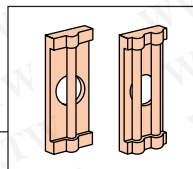
313-101

## FEATURES

- Facilitates measurement of the pitch diameter of screw threads with a standard micrometer.
- 18 sizes of wires are assorted in a set.
- Roundness of wire: within 0.5µm
- Cylindricity of wire: within 1µm
- Hardness of wire: 59 - 63HRC

## SPECIFICATIONS

Application	Order No.	Assortment of wire units
ø6.35mm (.25" DIA.)	<b>313-101</b>	0.17mm (952131), 0.195mm (952132), 0.22mm (952133), 0.25mm (952134), 0.29mm (952135), 0.335mm (952136), 0.39mm (952137), 0.455mm (952138), 0.53mm (952139), 0.62mm (952140), 0.725mm (952141), 0.895mm (952142), 1.1mm (952143), 1.35mm (952144), 1.65mm (952145), 2.05mm (952146), 2.55mm (952147), 3.2mm (952148)
ø8mm (.315" DIA.)	<b>313-102</b>	0.17mm (952149), 0.195mm (952150), 0.22mm (952151), 0.25mm (952152), 0.29mm (952153), 0.335mm (952154), 0.39mm (952155), 0.455mm (952156), 0.53mm (952157), 0.62mm (952158), 0.725mm (952159), 0.895mm (952160), 1.1mm (952161), 1.35mm (952162), 1.65mm (952163), 2.05mm (952164), 2.55mm (952165), 3.2mm (952166)

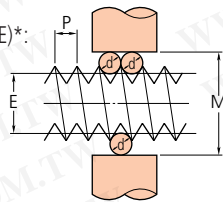


## TECHNICAL INFORMATION

### 3-wire method

Formula to obtain the pitch diameter (E)\*:  
 $E = M - 3d + 0.866025P$

where P=Screw thread pitch  
 d=Diameter of wire  
 E=Pitch diameter  
 M=Measured length  
 \*For metric or UNF screw



# Micrometer Stands

SERIES 156

勝特力材料 886-3-5753170  
 勝特力电子(上海) 86-21-54151736  
 勝特力电子(深圳) 86-755-83298787  
[Http://www.100y.com.tw](http://www.100y.com.tw)



156-105



156-101



156-102

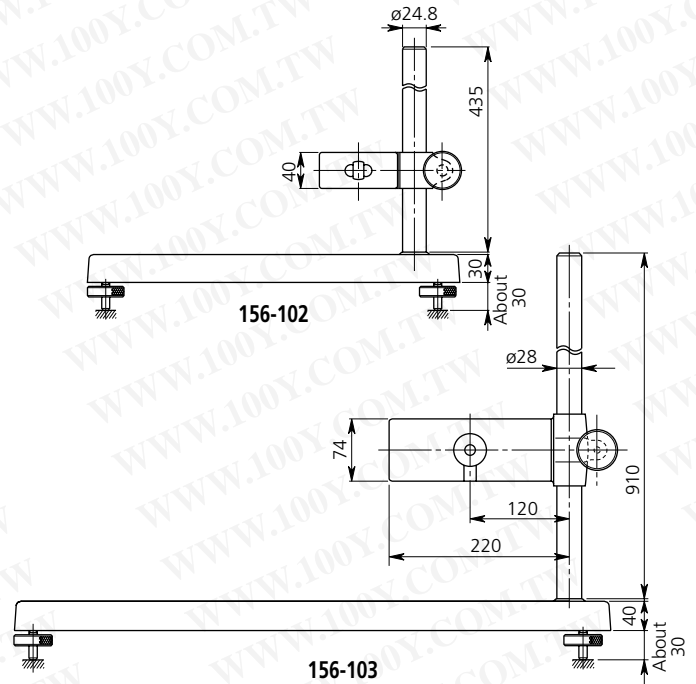
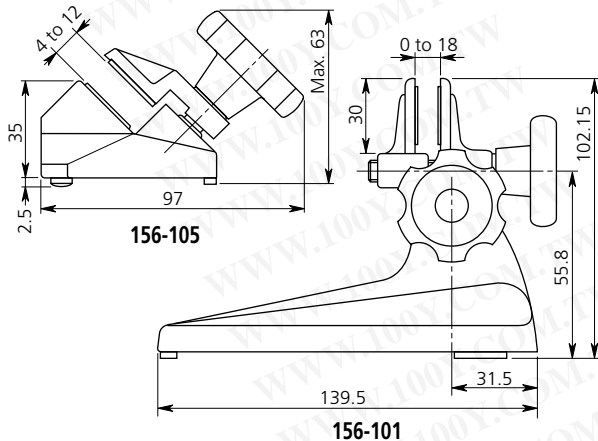
These stands are designed to allow bench-top use with hand micrometers or other gages which have frame area sufficient to grab onto.

## SPECIFICATIONS

Micrometer ranges	Order No.	Remarks
0-25mm (0-1"), 25-50mm (1"-2")	156-105	Fixed angle type
Up to 100mm (4")	156-101	Adjustable angle type
Up to 300mm (12")	156-102	Vertical type
Over 300mm (12")	156-103	Vertical type

## Dimensions

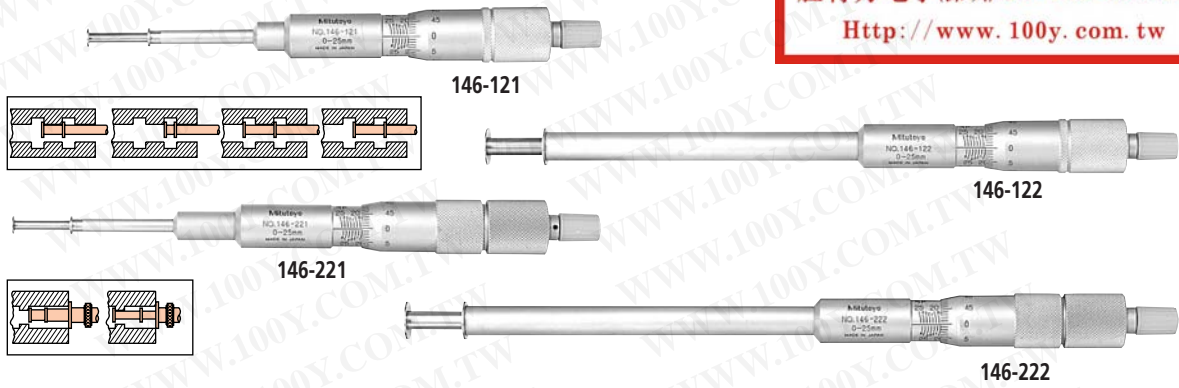
Unit: mm



# Groove Micrometers

## SERIES 146

勝特力材料 886-3-5753170  
 勝特力电子(上海) 86-21-54151736  
 勝特力电子(深圳) 86-755-83298787  
[Http://www.100y.com.tw](http://www.100y.com.tw)



### FEATURES

- Flanged spindle for measuring width, depth, and location of grooves inside/outside bores, and tubes.
- Provided with two types of graduations for inside and outside measurements.
- Non-rotating spindle type has two-directional ratchet stop (Measuring force: 5-10N).



### SPECIFICATIONS

Metric		Rotating spindle type		
Range Outside	Range Inside	Order No.	Graduation	Flange diameter
0 - 25mm	1.6 - 26.5mm	146-121	0.01mm	6.35mm
		146-122	0.01mm	12.7mm
25 - 50mm	26.5 - 51.5mm	146-123	0.01mm	12.7mm
50 - 75mm	51.5 - 76.5mm	146-124	0.01mm	12.7mm
75 - 100mm	76.5 - 101.5mm	146-125	0.01mm	12.7mm

Metric		Non-rotating spindle type		
Range Outside	Range Inside	Order No.	Graduation	Flange diameter
0 - 25mm	1.6 - 26.5mm	146-221	0.01mm	6.35mm
		146-222	0.01mm	12.7mm
25 - 50mm	26.5 - 51.5mm	146-223	0.01mm	12.7mm
50 - 75mm	51.5 - 76.5mm	146-224	0.01mm	12.7mm
75 - 100mm	76.5 - 101.5mm	146-225	0.01mm	12.7mm

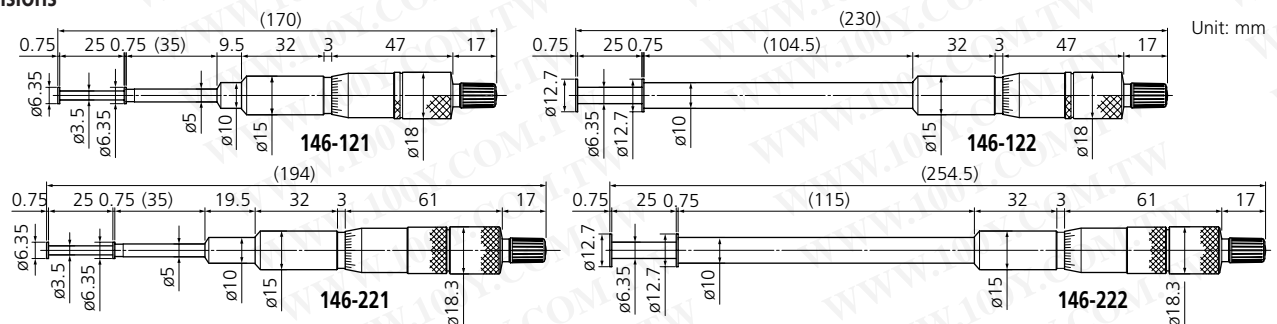
Inch		Rotating spindle type		
Range Outside	Range Inside	Order No.	Graduation	Flange diameter
0 - 1"	.055" - 1.05"	146-131	.001"	.25"
		146-132	.001"	.5"
1" - 2"	1.05" - 2.05"	146-133	.001"	.5"
2" - 3"	2.05" - 3.05"	146-134	.001"	.5"
3" - 4"	3.05" - 4.05"	146-135	.001"	.5"

Inch		Non-rotating spindle type		
Range Outside	Range Inside	Order No.	Graduation	Flange diameter
0 - 1"	.055" - 1.05"	146-231	.001"	.25"
		146-232	.001"	.5"
1" - 2"	1.05" - 2.05"	146-233	.001"	.5"
2" - 3"	2.05" - 3.05"	146-234	.001"	.5"
3" - 4"	3.05" - 4.05"	146-235	.001"	.5"

### Accuracy

- Accuracy:  $\pm 10\mu\text{m}$  ( $\pm .0004"$ )
- Parallelism:  $10\mu\text{m}$  (.0004")

### Dimensions



勝特力材料  
 胜特力电子(上海) 86-21-54151736  
 胜特力电子(深圳) 86-755-83298787  
[Http://www.100y.com.tw](http://www.100y.com.tw)

# Depth Micrometers

SERIES 329, 229, 129 — Interchangeable Rod Type



MICROMETERS

## FEATURES

- $\varnothing 4\text{mm}$  (.157" DIA.) interchangeable rods, with lapped measuring end, provide a wide measuring range.
- The rod length can be adjusted in 25mm (1") increments.
- With Ratchet Stop for consistent force.
- Crisp clear graduations on the thimble.
- The 329 series (LCD readout type) are provided with SPC output.
- The 229 series are provided with a mechanical digit counter for quick and error-free reading.
- Complete with fitted carrying case.



## OPTIONAL ACCESSORIES

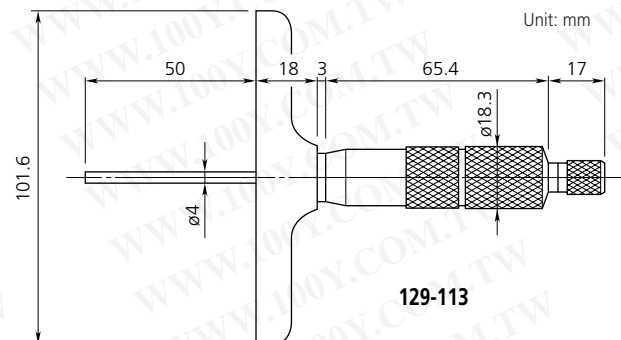
Order No.	Description
937387	SPC cable (1m)
965013	SPC cable (2m)

## SPECIFICATIONS

### Accuracy

- Accuracy of micrometer head:  $\pm 3\mu\text{m}$  (.00015")  
Excluding quantizing error. (329 series)
- Flatness of reference face:  
1.3 $\mu\text{m}$  (.00005") for base with 63.5mm (2.5") width  
2 $\mu\text{m}$  (.00008") for base with 101.6mm (4") width
- Flatness of measuring face of rod: 0.3 $\mu\text{m}$  (.000012")
- Parallelism between reference face and measuring face:  
(4+L/50) $\mu\text{m}$  [(0.0016+.00004 (L/2))"]\*  
\* L=Maximum measuring length (mm) [(inch)], Fraction rounded up
- Accuracy of interchangeable rod:  
 $\pm(2+L/75)\mu\text{m}$  [ $\pm(.0001+.00005 (L/3))$ "]\*  
\* L=Maximum measuring length (mm) [(inch)], Fraction rounded up

### Dimensions



勝特力材料 886-3-5753170  
 勝特力电子(上海) 86-21-54151736  
 勝特力电子(深圳) 86-755-83298787  
[Http://www.100y.com.tw](http://www.100y.com.tw)

Metric		Digital model		
Range	Order No.	Resolution	Dimensions of reference face	Remarks
0 - 150mm	<b>329-511-30</b>	0.001mm	101.6X16mm	with 6 rods
0 - 300mm	<b>329-512-30</b>	0.001mm	101.6X16mm	with 12 rods

Inch/Metric		Digital model		
Range	Order No.	Resolution	Dimensions of reference face	Remarks
0 - 6"	<b>329-711-30</b>	.00005" / 0.001mm	4"X.63"	with 6 rods
0 - 12"	<b>329-712-30</b>	.0001" / 0.001mm	4"X.63"	with 12 rods

Metric		Mechanical counter model		
Range	Order No.	Graduation	Dimensions of reference face	Remarks
0 - 25mm	<b>229-101</b>	0.01mm	63.5X16mm	with 1 rod
	<b>229-102</b>	0.01mm	101.6X16mm	with 1 rod
0 - 50mm	<b>229-109</b>	0.01mm	63.5X16mm	with 2 rods
	<b>229-113</b>	0.01mm	101.6X16mm	with 2 rods

Inch		Mechanical counter model		
Range	Order No.	Graduation	Dimensions of reference face	Remarks
0 - 4"	<b>229-127</b>	.001"	2.5"X.63"	with 4 rods
	<b>229-131</b>	.001"	4"X.63"	with 4 rods
0 - 6"	<b>229-128</b>	.001"	2.5"X.63"	with 6 rods
	<b>229-132</b>	.001"	4"X.63"	with 6 rods

Metric				
Range	Order No.	Graduation	Dimensions of reference face	Remarks
0 - 50mm	<b>129-109</b>	0.01mm	63.5X16mm	with 2 rods
	<b>129-113</b>	0.01mm	101.6X16mm	with 2 rods
0 - 75mm	<b>129-110</b>	0.01mm	63.5X16mm	with 3 rods
	<b>129-114</b>	0.01mm	101.6X16mm	with 3 rods
0 - 100mm	<b>129-111</b>	0.01mm	63.5X16mm	with 4 rods
	<b>129-115</b>	0.01mm	101.6X16mm	with 4 rods
0 - 150mm	<b>129-112</b>	0.01mm	63.5X16mm	with 6 rods
	<b>129-116</b>	0.01mm	101.6X16mm	with 6 rods

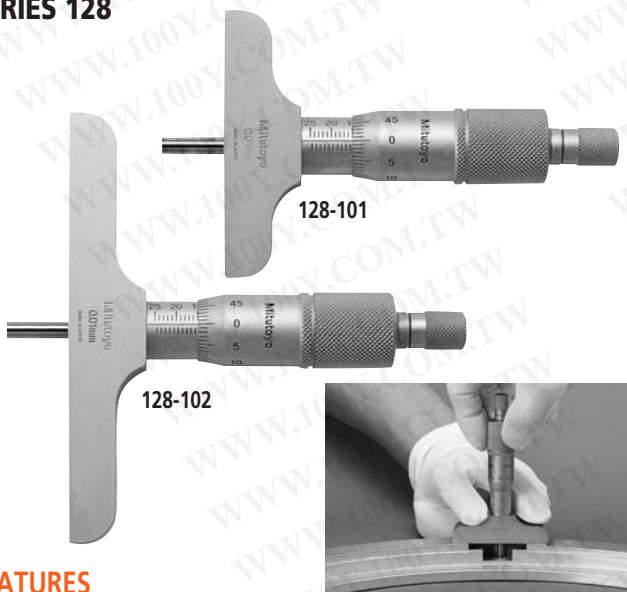
Inch				
Range	Order No.	Graduation	Dimensions of reference face	Remarks
0 - 3"	<b>129-126</b>	.001"	2.5"X.63"	with 3 rods
	<b>129-130</b>	.001"	4"X.63"	with 3 rods
0 - 4"	<b>129-127</b>	.001"	2.5"X.63"	with 4 rods
	<b>129-131</b>	.001"	4"X.63"	with 4 rods
0 - 6"	<b>129-128</b>	.001"	2.5"X.63"	with 6 rods
	<b>129-132</b>	.001"	4"X.63"	with 6 rods
0 - 12"	<b>129-149</b>	.001"	2.5"X.63"	with 12 rods
	<b>129-150</b>	.001"	4"X.63"	with 12 rods

MICROMETERS



## Depth Micrometers

### SERIES 128



### FEATURES

- Ratchet Stop for consistent and repetitive measurements.
- $\varnothing 4\text{mm}$  (.157" DIA.) measuring face.
- Satin-chrome finished throughout.
- With spindle locking clamp.
- Crisp clear graduations on the thimble.

### SPECIFICATIONS

Metric			
Range	Order No.	Graduation	Dimensions of reference
0 - 25mm	<b>128-101</b>	0.01mm	63.5 x 16mm
	<b>128-103*</b>	0.01mm	63.5 x 16mm
	<b>128-102</b>	0.01mm	101.6 x 16mm
	<b>128-104*</b>	0.01mm	101.6 x 16mm

\*The measuring face has a carbide tip.

Inch			
Range	Order No.	Graduation	Dimensions of reference
0 - 1"	<b>128-105</b>	.001"	2.5" x .63"
	<b>128-106</b>	.001"	4" x .63"

\*The measuring face has a carbide tip.

### Accuracy

- Accuracy of micrometer head:  $\pm 3\mu\text{m}$  (.00015")
- Flatness of reference face:
  - 1.3 $\mu\text{m}$  (.00005") for base with 63.5mm (2.5") width
  - 2 $\mu\text{m}$  (.00008") for base with 101.6mm (4") width