

NEW PRODUCT INFORMATION

Bulletin No. 1974

IP67 Hook Style Digimatic Depth Gage

FEATURES

- IP67 Waterproof rating.
- Digimatic SPC output.
- Stainless steel construction.
- Integral end hook, won't work loose.
- ABS scale, no need to rezero.
- Three year battery life.
- Inch/metric. • Offset.
- Auto power On/Off.
- Convenient mounting holes in the base.
- Battery life 3 years under normal use.
- Optional wider extension bases are available.

The end of the main scale is hook shaped to allow depth and thickness measurements of a projected portion or lip in a hole or recess, in addition to standard depth measurement.



571-264-10



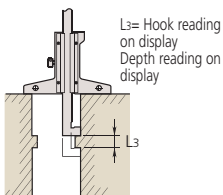
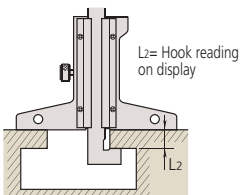
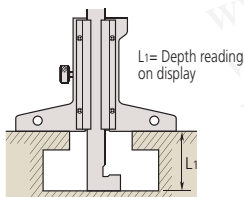
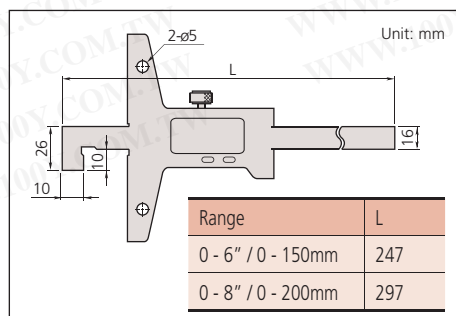
IP67

ABSOLUTE SPC
Absolute System Patented by MITUTOYO

SPECIFICATIONS

Order No.	Range Hook	Range Depth	Resolution	Accuracy	Output
571-264-10	6"/150mm	.4"-6.4"/10mm-160mm	.0005"/0.01mm	±.0015"	Yes
571-265-10	8"/200mm	.4"-8.4"/10mm-210mm	.0005"/0.01mm	±.0015"	Yes

DIMENSIONS



勝特力材料 886-3-5753170
 勝特力电子(上海) 86-21-34970699
 勝特力电子(深圳) 86-755-83298787
[Http://www.100y.com.tw](http://www.100y.com.tw)

Optional Accessories

Cables **Order No.**

40" SPC Cable 05CZA624

80" SPC Cable 05CZA625

Extension Bases:

7" Base 900367

10" Base 900368

12" Base 900369

Mitutoyo
 Precision is our Profession

ABSOLUTE Digimatic Depth Gage

FEATURES

- ABSOLUTE Digimatic Depth Gage can keep track of the origin point once set for the entire life of the battery.
- Base and measuring faces are hardened and micro-lapped.
- Optional wider extension base are available. (up to 450mm range models)
- With SPC data output.



571-263-10

SPECIFICATIONS

Metric				
Range	Order No.	Resolution	Accuracy	Mass(g)
0 - 150mm	571-201-20	0.01mm	±0.02mm	192
0 - 150mm	571-251-10*	0.01mm	±0.02mm	199
0 - 200mm	571-202-20	0.01mm	±0.02mm	212
0 - 200mm	571-252-10*	0.01mm	±0.02mm	219
0 - 300mm	571-203-20	0.01mm	±0.03mm	310
0 - 300mm	571-253-10*	0.01mm	±0.03mm	320
0 - 450mm	571-204-10	0.01mm	±0.05mm	1270
0 - 600mm	571-205-10	0.01mm	±0.05mm	1400
0 - 750mm	571-206-10	0.01mm	±0.06mm	1530
0 - 1000mm	571-207-10	0.01mm	±0.07mm	1760

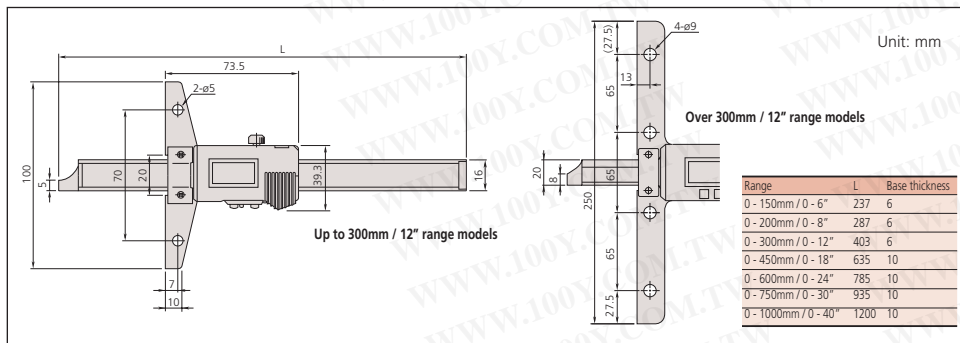
*IP67 Coolant Proof model

Inch/Metric

Range	Order No.	Resolution	Accuracy	Mass(g)
0 - 6" / 0 - 150mm	571-211-20	.0005" / 0.01mm	±.001"	192
0 - 6" / 0 - 150mm	571-261-10*	.0005" / 0.01mm	±.001"	199
0 - 8" / 0 - 200mm	571-212-20	.0005" / 0.01mm	±.001"	212
0 - 8" / 0 - 200mm	571-262-10*	.0005" / 0.01mm	±.001"	219
0 - 12" / 0 - 300mm	571-213-10	.0005" / 0.01mm	±.0015"	310
0 - 12" / 0 - 300mm	571-263-10*	.0005" / 0.01mm	±.0015"	320
0 - 18" / 0 - 450mm	571-214-10	.0005" / 0.01mm	±.002"	1270
0 - 24" / 0 - 600mm	571-215-10	.0005" / 0.01mm	±.002"	1400
0 - 30" / 0 - 750mm	571-216-10	.0005" / 0.01mm	±.0025	1530
0 - 40" / 0 - 1000mm	571-217-10	.0005" / 0.01mm	±.0025	1760

*IP67 Coolant Proof model

DIMENSIONS



Note: All information regarding our products, and in particular the illustrations, drawings, dimensional and performance data contained in this printed matter as well as other technical data are to be regarded as approximate average values. We therefore reserve the right to make changes to the corresponding designs. The stated standards, similar technical regulations, descriptions and illustrations of the products were valid at the time of printing. In addition, the latest applicable version of our General Trading Conditions will apply. Only quotations submitted by ourselves may be regarded as definitive.

Mitutoyo products are subject to US Export Administration Regulations (EAR). Re-export or relocation of Mitutoyo products may require prior approval by an appropriate governing authority.

Trademarks and Registrations

Designations used by companies to distinguish their products are often claimed as trademarks. In all instances where Mitutoyo America Corporation is aware of a claim, the product names appear in initial capital or all capital letters. The appropriate companies should be contacted for more complete trademark and registration information.

We reserve the right to change specifications and prices without notice.

- Coordinate Measuring Machines
- Vision Measuring Systems
- Form Measurement
- Optical Measuring
- Sensor Systems
- Testing Equipment and Seismometer
- Digital Scale and DRO Systems
- Small Tool Instruments and Data Management

Mitutoyo America Corporation

www.mitutoyo.com

One Number to Serve You Better
1-888-MITUTOYO (1-888-648-8869)

M³ Solution Centers

Aurora, Illinois
 (Corporate Headquarters)

Westford, Massachusetts

Huntersville, North Carolina

Mason, Ohio

Plymouth, Michigan

City of Industry, California



Precision is our Profession

IP67 Rated Products - Superior Protection and Reliability

ABSOLUTE Digimatic Depth Gage

FEATURES

- ABSOLUTE Digimatic Depth Gage can keep track of the origin point once set for the entire life of the battery.
- Base and measuring faces are hardened and micro-lapped.
- Optional wider extension base are available. (up to 450mm range models)
- With SPC data output.



571-263-10



SPECIFICATIONS

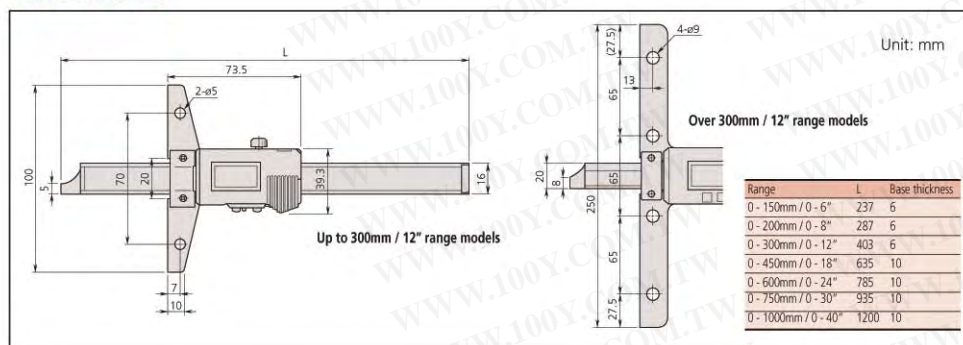
Metric				
Range	Order No.	Resolution	Accuracy	Mass(g)
0 - 150mm	571-201-20	0.01mm	±0.02mm	192
0 - 150mm	571-251-10*	0.01mm	±0.02mm	199
0 - 200mm	571-202-20	0.01mm	±0.02mm	212
0 - 200mm	571-252-10*	0.01mm	±0.02mm	219
0 - 300mm	571-203-20	0.01mm	±0.03mm	310
0 - 300mm	571-253-10*	0.01mm	±0.03mm	320
0 - 450mm	571-204-10	0.01mm	±0.05mm	1270
0 - 600mm	571-205-10	0.01mm	±0.05mm	1400
0 - 750mm	571-206-10	0.01mm	±0.06mm	1530
0 - 1000mm	571-207-10	0.01mm	±0.07mm	1760

*IP67 Coolant Proof model

Inch/Metric				
Range	Order No.	Resolution	Accuracy	Mass(g)
0 - 6" / 0 - 150mm	571-211-20	.0005" / 0.01mm	±.001"	192
0 - 6" / 0 - 150mm	571-261-10*	.0005" / 0.01mm	±.001"	199
0 - 8" / 0 - 200mm	571-212-20	.0005" / 0.01mm	±.001"	212
0 - 8" / 0 - 200mm	571-262-10*	.0005" / 0.01mm	±.001"	219
0 - 12" / 0 - 300mm	571-213-10	.0005" / 0.01mm	±.0015"	310
0 - 12" / 0 - 300mm	571-263-10*	.0005" / 0.01mm	±.0015"	320
0 - 18" / 0 - 450mm	571-214-10	.0005" / 0.01mm	±.002"	1270
0 - 24" / 0 - 600mm	571-215-10	.0005" / 0.01mm	±.002"	1400
0 - 30" / 0 - 750mm	571-216-10	.0005" / 0.01mm	±.0025	1530
0 - 40" / 0 - 1000mm	571-217-10	.0005" / 0.01mm	±.0025	1760

*IP67 Coolant Proof model

DIMENSIONS



Note: All information regarding our products, and in particular the illustrations, drawings, dimensional and performance data contained in this printed matter as well as other technical data are to be regarded as approximate average values. We therefore reserve the right to make changes to the corresponding designs. The stated standards, similar technical regulations, descriptions and illustrations of the products were valid at the time of printing. In addition, the latest applicable version of our General Trading Conditions will apply. Only quotations submitted by ourselves may be regarded as definitive.

Mitutoyo products are subject to US Export Administration Regulations (EAR). Re-export or relocation of Mitutoyo products may require prior approval by an appropriate governing authority.

Trademarks and Registrations

Designations used by companies to distinguish their products are often claimed as trademarks. In all instances where Mitutoyo America Corporation is aware of a claim, the product names appear in initial capital or all capital letters. The appropriate companies should be contacted for more complete trademark and registration information.

We reserve the right to change specifications and prices without notice.

- Coordinate Measuring Machines
- Vision Measuring Systems
- Form Measurement
- Optical Measuring
- Sensor Systems
- Testing Equipment and Seismometer
- Digital Scale and DRO Systems
- Small Tool Instruments and Data Management



ABSOLUTE Digimatic 深度尺

571 系列

胜特力材料 886-8-5753170
 胜特力电子(上海) 86-21-34970699
 胜特力电子(深圳) 86-755-83298787
[Http://www.100y.com.tw](http://www.100y.com.tw)

特点

- ABSOLUTE Digimatic 深度尺可在电池用尽前保持原有的原点轨迹设置。
- 基座和测量面经过硬化和氮化处理。
- 可选用加宽基座 (测量范围小于 450mm 型号)。
- 带有 SPC 数据输出。



571-251



571-201-20

性能参数

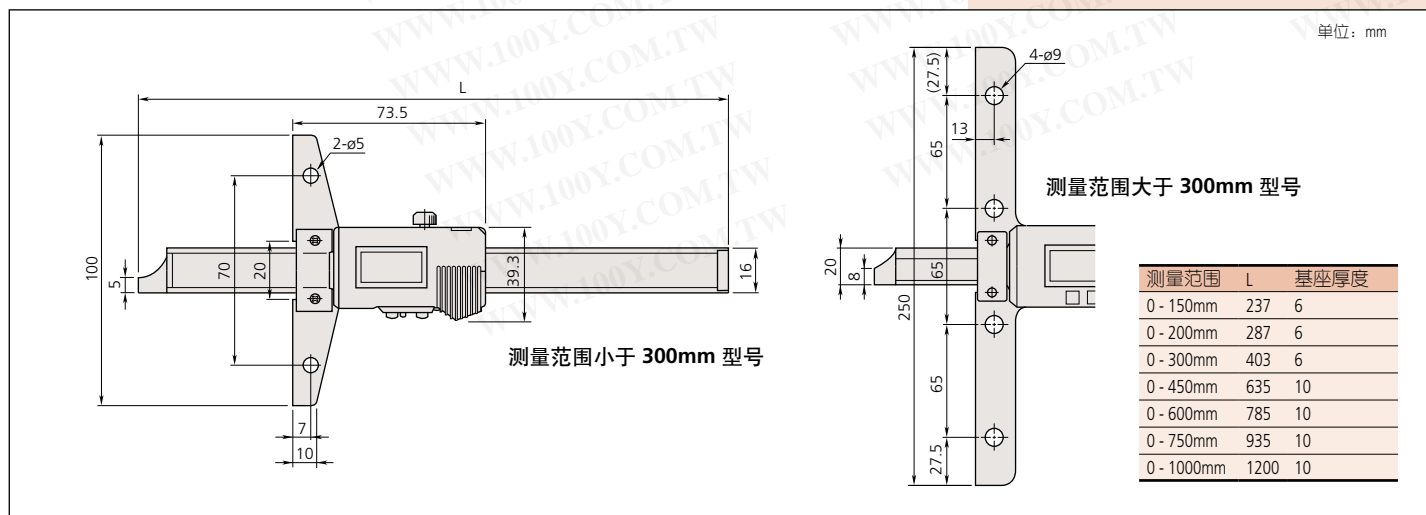
公制型		
测量范围	货号	基座 (WxT)
0 - 150mm	571-201-20 / 571-251*	100x6mm
0 - 200mm	571-202-20 / 571-252*	100x6mm
0 - 300mm	571-203-20	100x6mm
0 - 450mm	571-204-10	250x10mm
0 - 600mm	571-205-10	250x10mm
0 - 750mm	571-206-10	250x10mm
0 - 1000mm	571-207-10	250x10mm

*IP67 防冷却液型

英制 / 公制型		
测量范围	货号	基座 (WxT)
0 - 6"	571-211-20 / 571-261*	3.93"x.23"
0 - 8"	571-212-20 / 571-262*	3.93"x.23"
0 - 12"	571-213-10	3.93"x.23"
0 - 18"	571-214-10	9.8"x.39"
0 - 24"	571-215-10	9.8"x.39"
0 - 30"	571-216-10	9.8"x.39"
0 - 40"	571-217-10	9.8"x.39"

*IP67 防冷却液型

尺寸



(参见第 9 页)



Absolute System Patented by MITUTOYO

(参见第 9 页)

技术参数

精度: 测量范围小于等于 200mm 型为 $\pm 0.02\text{mm}$
 测量范围小于等于 300mm 型为 $\pm 0.03\text{mm}$
 测量范围小于等于 600mm 型为 $\pm 0.05\text{mm}$
 测量范围小于等于 750mm 型为 $\pm 0.06\text{mm}$
 测量范围小于等于 1000mm 型为 $\pm 0.07\text{mm}$
 (不包括量化偏差)

分辨率: 0.01mm 或 .0005"/0.01mm
重复精度: 0.01mm
显示: 液晶显示
长度标准: ABSOLUTE 静电电容型 (电磁感应)* 线性编码器

最大响应速度: 无极限
电池: SR44 (1 个), 938882
电池寿命: 正常使用情况下约为 20,000 小时 (3 年)*
 尘 / 水防护等级: 达到 IP67* 防护标准
 * 防冷却液型

功能

原点设置、调零、自动电源开 / 关、数据输出、英制 / 公制转换 (英制 / 公制型)
警告: 低电压、计算错误

选件

- 959143: 数据保持装置
- 959149: 带有数据开关的 SPC 电缆 (1m)
- 959150: 带有数据开关的 SPC 电缆 (2m)
- 05CZA624: 带有数据开关的 SPC 电缆 (1m)*
- 05CZA625: 带有数据开关的 SPC 电缆 (2m)*
- : 加宽基座 (参见 179 页)

* 用于防冷却液型



可通过防水 SPC 电缆实现数据输出功能。