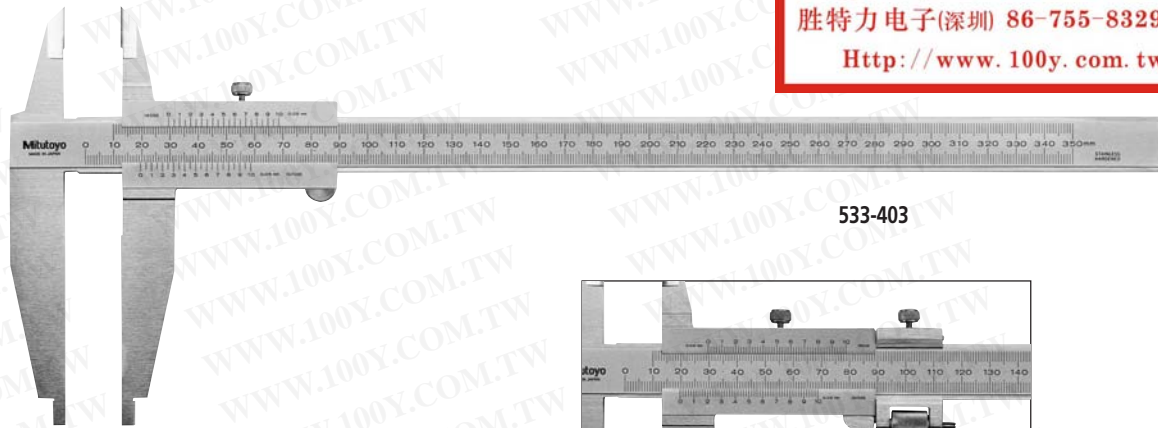


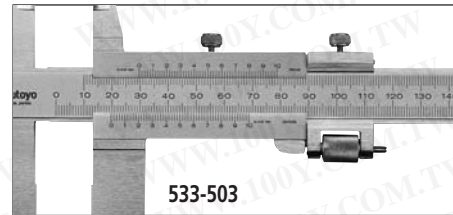
Vernier Caliper

SERIES 533 — with Nib Style and Standard Jaws

勝特力材料 886-3-5753170
 勝特力电子(上海) 86-21-54151736
 勝特力电子(深圳) 86-755-83298787
[Http://www.100y.com.tw](http://www.100y.com.tw)



533-403

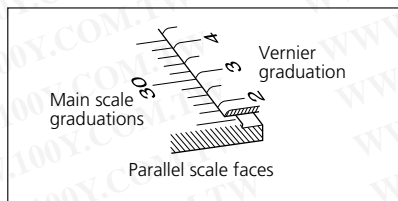


533-503

With fine adjustment

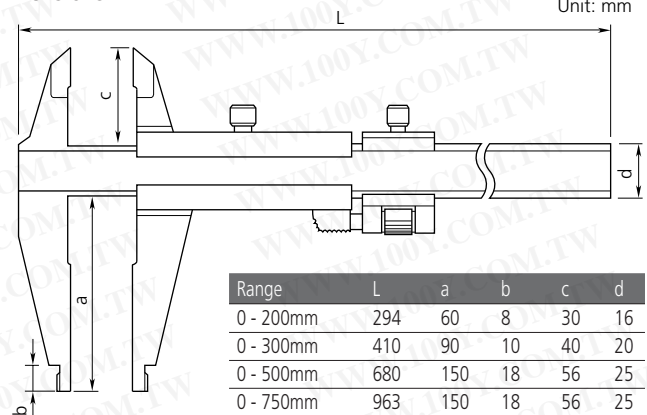
FEATURES

- The nib style jaws have round measuring faces for accurate ID measurement.
- The standard sharp edged jaws provide easy access to portions that ordinary calipers cannot measure.
- Parallax-free vernier scales for easy and positive measurements.



- No depth bar.

Dimensions



Range	L	a	b	c	d
0 - 200mm	294	60	8	30	16
0 - 300mm	410	90	10	40	20
0 - 500mm	680	150	18	56	25
0 - 750mm	963	150	18	56	25
0 - 1000mm	1230	150	20	56	32

SPECIFICATIONS

Metric		Vernier calipers			
Range	Order No.	Vernier reading	Accuracy	Mass	Remarks
0 - 200mm	533-401	0.05mm	±0.05mm	220g	ID measuring range: 10 - 200mm
0 - 300mm	533-403	0.05mm	±0.08mm	370g	ID measuring range: 10 - 300mm
0 - 500mm	533-404	0.05mm	±0.10mm	1200g	ID measuring range: 20 - 500mm
0 - 750mm	533-405	0.05mm	±0.12mm	1500g	ID measuring range: 20 - 750mm
0 - 1000mm	533-406	0.05mm	±0.15mm	3300g	ID measuring range: 20 - 1000mm

Metric		Vernier calipers with fine adjustment			
Range	Order No.	Vernier reading	Accuracy	Mass	Remarks
0 - 280mm	533-503	0.02mm	±0.04mm	405g	ID measuring range: 10 - 280mm
0 - 500mm	533-504	0.02mm	±0.05mm	1250g	ID measuring range: 20 - 500mm
0 - 750mm	533-505	0.02mm	±0.06mm	1550g	ID measuring range: 20 - 750mm
0 - 1000mm	533-506	0.02mm	±0.07mm	3450g	ID measuring range: 20 - 1000mm