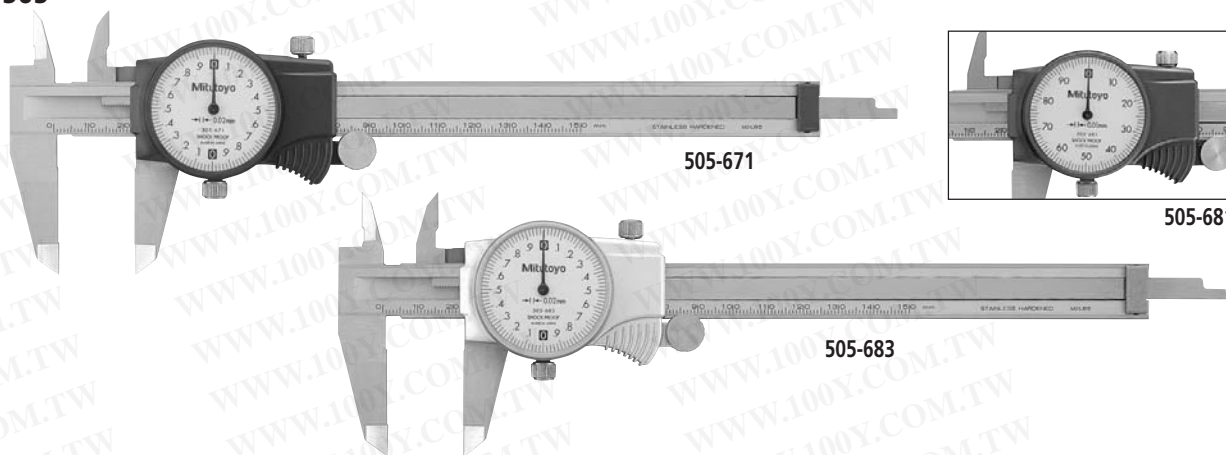


Dial Caliper

SERIES 505

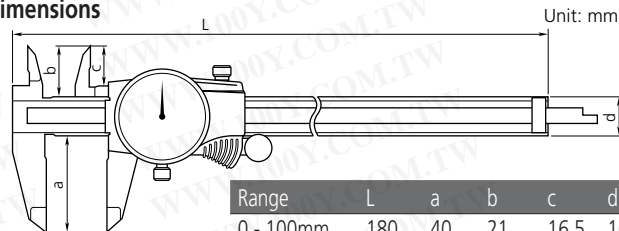


CALIPERS

FEATURES

- New designed dial movement for ultra smooth sliding and high shock protection.
- Titanium coating is applied to the sliding surface to strengthen the durability (except for 0 - 300mm and 0 - 12" model). No wearing by 100,000-time sliding test.
- Can measure OD, ID, depth, and steps.
- Clamping screw atop the slider.
- Special models available with carbide-tipped OD and ID jaws.

Dimensions



Range	L	a	b	c	d
0 - 100mm	180	40	21	16.5	16
0 - 150mm	231	40	21	16.5	16
0 - 200mm	288	50	24.5	20	16
0 - 300mm	403	64	27.5	22	20

SPECIFICATIONS

Metric

Range	Order No.	Dial reading	Graduation	Dial reading Range/rev.	Accuracy	Remarks
0 - 100mm	505-680	0.01mm	1mm	±0.015mm	With depth bar, gray cover	
0 - 150mm	505-683	0.02mm	2mm	±0.03mm	With depth bar, silver cover	
	505-671	0.02mm	2mm	±0.03mm	With depth bar, gray cover	
	505-707*	0.02mm	2mm	±0.03mm	With depth bar, gray cover	
	505-711**	0.02mm	2mm	±0.03mm	With depth bar, gray cover	
	505-685	0.01mm	1mm	±0.02mm	With depth bar, silver cover	
0 - 200mm	505-681	0.01mm	1mm	±0.02mm	With depth bar, gray cover	
	505-684	0.02mm	2mm	±0.03mm	With depth bar, silver cover	
	505-672	0.02mm	2mm	±0.03mm	With depth bar, gray cover	
	505-686	0.01mm	1mm	±0.03mm	With depth bar, silver cover	
0 - 300mm	505-682	0.01mm	1mm	±0.03mm	With depth bar, gray cover	
	505-673	0.02mm	2mm	±0.04mm	With depth bar, gray cover	

Inch

Range	Order No.	Dial reading	Graduation	Dial reading Range/rev.	Accuracy	Remarks
0 - 4"	505-674	.001"	.1"	±.001"	With depth bar, gray cover	
0 - 6"	505-689	.001"	.1"	±.001"	With depth bar, silver cover	
	505-675	.001"	.1"	±.001"	With depth bar, gray cover	
	505-708*	.001"	.1"	±.001"	With depth bar, gray cover	
	505-712**	.001"	.1"	±.001"	With depth bar, gray cover	
0 - 8"	505-690	.001"	.1"	±.002"	With depth bar, silvercover	
	505-676	.001"	.1"	±.002"	With depth bar, gray cover	
	505-709*	.001"	.1"	±.002"	With depth bar, gray cover	
	505-713**	.001"	.1"	±.002"	With depth bar, gray cover	
0 - 12"	505-720	.001"	.2"	±.002"	With depth bar, gray cover	
	505-677	.001"	.1"	±.002"	With depth bar, silver cover	
	505-721*	.001"	.2"	±.002"	With depth bar, gray cover	
	505-710*	.001"	.1"	±.002"	With depth bar, silver cover	
	505-714**	.001"	.1"	±.002"	With depth bar, silver cover	

*Provided with carbide-tipped jaws for OD measurement.
 **Provided with carbide-tipped jaws for OD & ID measurements.