

Pull-type Jewelry magnifier with LED light source

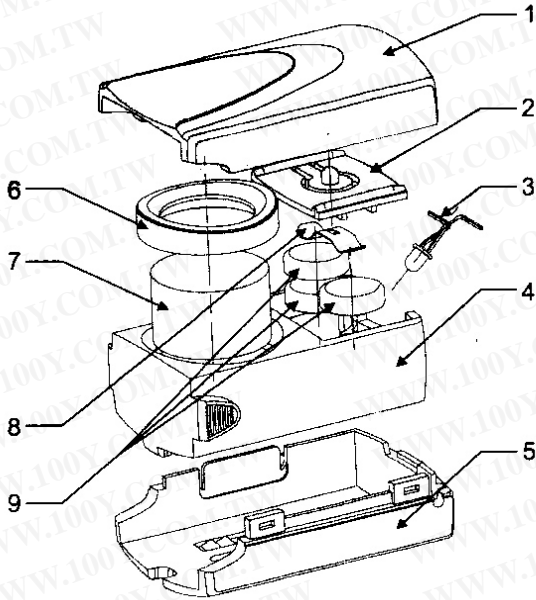
Magnification:10X

Lens Diameter:18mm-21mm

Pull-type Light Source Switch

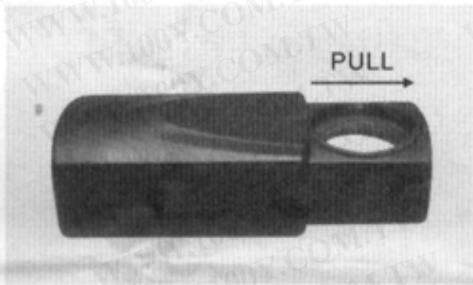
Illuminational:LED Light use 3 LR1130 batteries(Batteries included)

勝特力材料 886-3-5753170
勝特力电子(上海) 86-21-54151736
勝特力电子(深圳) 86-755-83298787
[Http://www.100y.com.tw](http://www.100y.com.tw)

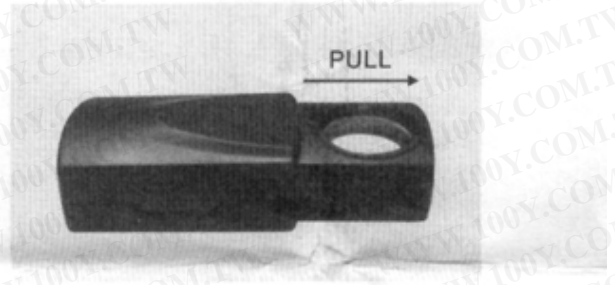


1. Upper cover
2. Battery cover
3. LED luminous diode
4. Battery compartment
5. Lower cover
6. Lens clamping ring
7. Lens
8. Contact piece
9. Button battery(3PCS LR1130)

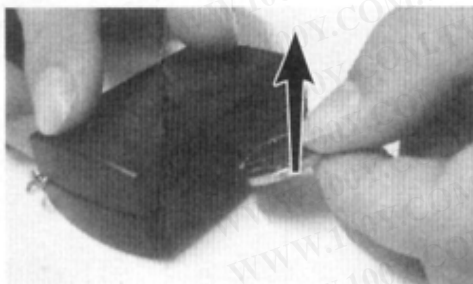
Pull out the magnifier to first step position, light source switch will not be opened. If sunlight is insufficient, it is advisable to pull it out to second step position, the light source switch will be opened automatically at this time. Therefore, the magnifier can be used under insufficient sunlight or dark environment.



First step position



Second step position



wist off battery compartment to replace batteries by upward pulling with hand or coin; put new button-shaped batteries into it according to the "+", "-" mark of batteries.