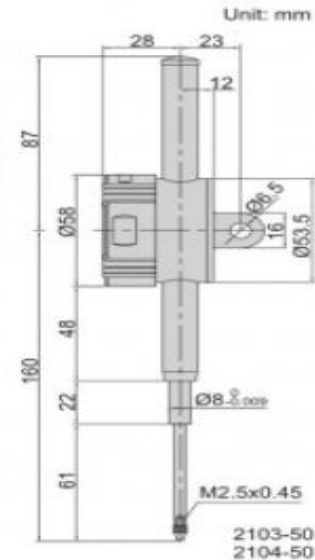
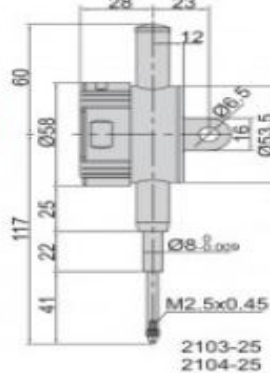
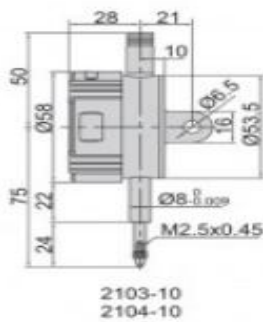


2103-25f 數位式量表

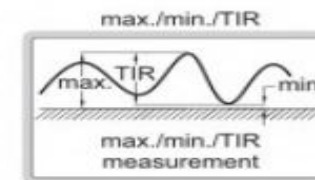
勝特力電材超市-龍山店 886-3-5773766
 勝特力電材超市-光復店 886-3-5729570
 勝特力電子(上海) 86-21-34970699
 勝特力電子(深圳) 86-755-83298787
<http://www.100y.com.tw>

**INSPECTION
 CERTIFICATE**
 TRACEABLE TO NIST

**DATA
 OUTPUT**



- Reading in digital and analog
- Display can be rotated by 320°
- Button function: tolerance Go and No-Go display, data preset, measuring direction change, max./min./TIR measurement, inch/metric conversion, absolute/incremental measurement
- Keep preset data and tolerance data in memory after restart
- CR2032 battery, automatic power off
- Data output
- Optional accessory: data output cable (code 7315-, 7302-, 7305-), backs (page 114~115), contact points (page 111~113)



Resolution 0.001mm/0.00005"

Code	Range	Accuracy	Hysteresis	Remark
2103-10F *	12.7mm/0.5"	5µm	2µm	flat back
2103-25F *	25.4mm/1"	5µm	3µm	flat back
2103-50F *	50.8mm/2"	6µm	3µm	flat back
2103-10 *	12.7mm/0.5"	5µm	2µm	lug back
2103-25 *	25.4mm/1"	5µm	3µm	lug back
2103-50 *	50.8mm/2"	6µm	3µm	lug back

Resolution 0.01mm/0.0005"

Code	Range	Accuracy	Hysteresis	Remark
2104-10F *	12.7mm/0.5"	20µm	10µm	flat back
2104-25F *	25.4mm/1"	20µm	10µm	flat back
2104-50F *	50.8mm/2"	30µm	10µm	flat back
2104-10 *	12.7mm/0.5"	20µm	10µm	lug back
2104-25 *	25.4mm/1"	20µm	10µm	lug back
2104-50 *	50.8mm/2"	30µm	10µm	lug back

* Supplied with manufacturer inspection certificate traceable to NIST USA