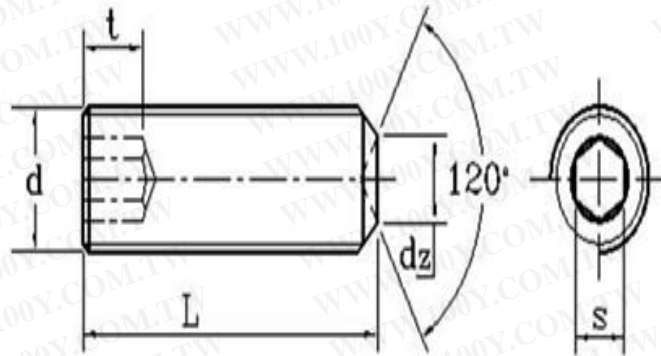


內六角黃銅凹端堵頭

勝特力材料 886-3-5753170
 勝特力电子(上海) 86-21-34970699
 勝特力电子(深圳) 86-755-83298787
[Http://www.100y.com.tw](http://www.100y.com.tw)



COMMODITY PARAMETER | 商品参数



存在正负公差特别在意者甚拍，螺丝参考规格由D*L组成（直径*长度）总长度

单位：mm

螺纹规格d	M1.4	M1.6	M1.8	M2	M2.5	M3	M4	M5	M6	M8	M10	M12	M14	M16	M18	M20	
螺距P	0.3	0.35	0.35	0.4	0.45	0.5	0.7	0.8	1	1.25	1.5	1.75	2	2	2.5	2.5	
公称	0.7	0.7	0.7	0.9	1.3	1.5	2	2.5	3	4	5	6	6	8	10	10	
S	max	0.724	0.724	0.724	0.902	1.295	1.545	2.045	2.56	3.08	4.095	5.095	6.095	6.095	8.115	10.12	10.12
	min	0.711	0.711	0.711	0.889	1.27	1.52	2.02	2.52	3.02	4.02	5.02	6.02	6.02	8.025	10.03	10.03
t	0.6	0.7	0.8	0.8	1.2	1.2	1.5	2	2	3	4	4.8	5.6	6.4	7.2	8	

COMMODITY | 商品细节
DETAILS



标准内六角

Standard cross groove, the installation process is not easy to appear precision phenomenon, greatly saves installation time

标准内六角，受力均匀。不易打滑，光滑完整无毛刺，旋转不易发生打滑

Standard cross groove, the installation process is not easy to appear precision phenomenon, greatly saves installation time



螺旋螺纹

Standard cross groove, the installation process is not easy to appear precision phenomenon, greatly saves installation time

螺旋具有坚固作用，无残留毛刺，并且螺纹整齐清晰，少有缺牙现象

Standard cross groove, the installation process is not easy to appear precision phenomenon, greatly saves installation time

勝特力材料 886-3-5753170
勝特力电子(上海) 86-21-34970699
勝特力电子(深圳) 86-755-83298787

[Http://www.100y.com.tw](http://www.100y.com.tw)