

DIN BS88 FUSES

6,9 gRB-URB

SEMICONDUCTOR PROTECTION FUSES

690V

gRB-URB FROM 12 TO 100A

SIZE: 17 x 49



Features/Benefits

- **Extremely high Interrupting rating Fuses:**
Protection of power Semiconductors as per IEC standard 269.1 and 4
- **690V Voltage Rating** as per IEC 33
- **gR Class** [Current rating 12 to 90A] as per VDE 636-23
 - Full range protection
 - Improved safety and protection
 - Allows selective coordination
- **aR Class** [Current Rating 100A] According to VDE 636-23 and IEC 269.4
- **Connections as per:**
 - German standard DIN 43653/00C
 - British standard BS 88-4

- **These fuses are UL Recognized**



APPLICATIONS DATA

VOLTAGE RATING U_N (V)	CLASS	CURRENT RATING I_N (A)	PRE-ARCING $I^2t @ 1 \text{ ms}$ (A ² s)	TOTAL CLEARING $I^2t @$ (A ² s)	WATT LOSSES		TESTED INTERRUPTING RATING	ESTIMATED INTERRUPTING RATING
					0.8 I_N	I_N		
690	gRB	12	4.2	30	1.95	3.5	200 kA @ 690 V	300 kA @ 690 V
		16	9.6	65	2.2	4.0		
		20	17.1	110	3.0	5.5		
		25	26.8	170	4.4	8.0		
		32	52.5	330	5.0	9.0		
		35	69	430	5.2	9.5		
		40	96	610	5.8	10.5		
		45	130	820	6.3	11.5		
		50	154	970	7.2	13		
		55	210	1320	7.4	13.5		
		63	310	1950	8.0	14.5		
		75	520	3250	8.8	16		
		80	620	3900	9.4	17		
		90	840	5300	11	20		
690	URB	100	965	6150	13	23.5	200 kA @ 690 V	300 kA @ 690 V

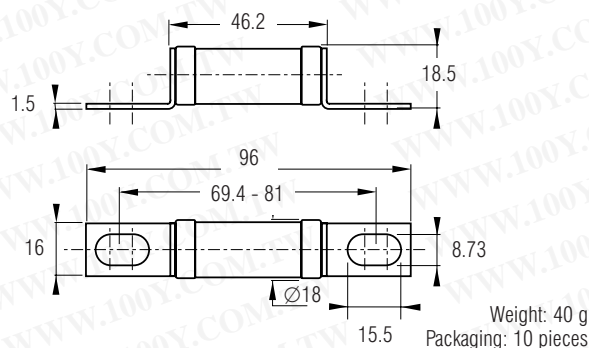
Minimum operating voltage for separate trip-indicator: 20 V

DIN FUSES

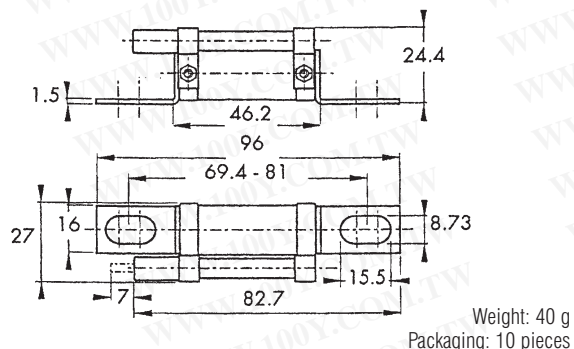
6,9 gRB-URB

SEMICONDUCTOR PROTECTION FUSES

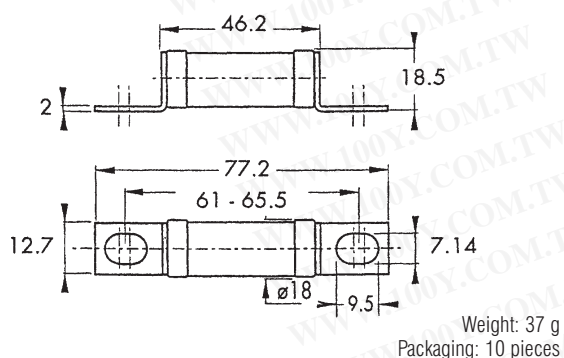
German Standard without blown fuse indication



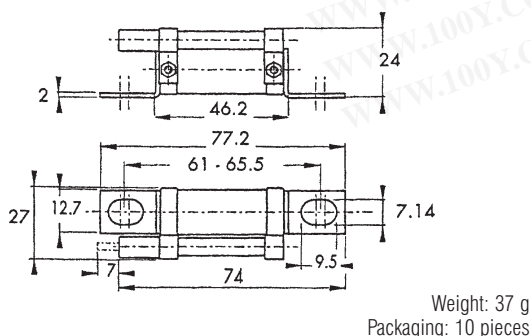
German Standard with separate blown fuse trip-indicator DIN 43623/00C



British Standard without blown fuse indication



British Standard with separate blown fuse trip-indicator BS 88-4



CURRENT RATING	CATALOG NO.	REF #	PACK.
12	6,9 gRB 17 D08/12	M220972	10 (40 g)
16	6,9 gRB 17 D08/16	N220973	
20	6,9 gRB 17 D08/20	P220974	
25	6,9 gRB 17 D08/25	Q220975	
32	6,9 gRB 17 D08/32	R220976	
35	6,9 gRB 17 D08/35	S220977	
40	6,9 gRB 17 D08/40	T220978	
45	6,9 gRB 17 D08/45	V220979	
50	6,9 gRB 17 D08/50	W220980	
55	6,9 gRB 17 D08/55	X220981	
63	6,9 gRB 17 D08/63	Y220982	
75	6,9 gRB 17 D08/75	Z220983	
80	6,9 gRB 17 D08/80	A220984	
90	6,9 gRB 17 D08/90	B220985	
100	6,9 URB 17 D08/100	C220986	

CURRENT RATING	CATALOG NO.	REF #	PACK.
12	6,9 gRB 17 D08P 12	X221004	10 (40 g)
16	6,9 gRB 17 D08P 16	Y221005	
20	6,9 gRB 17 D08P 20	Z221006	
25	6,9 gRB 17 D08P 25	A221007	
32	6,9 gRB 17 D08P 32	B221008	
35	6,9 gRB 17 D08 P 35	C221009	
40	6,9 gRB 17 D08P 40	D221010	
45	6,9 gRB 17 D08P 45	E221011	
50	6,9 gRB 17 D08P 50	F221012	
55	6,9 gRB 17 D08P 55	G221013	
63	6,9 gRB 17 D08P 63	H221014	
75	6,9 gRB 17 D08P 75	J221015	
80	6,9 gRB 17 D08P 80	K221016	
90	6,9 gRB 17 D08P 90	L221017	
100	6,9 URB 17 D08P 100	M221018	

CURRENT RATING	CATALOG NO.	REF #	PACK.
12	6,9 gRB 17/12	W220975	10 (37 g)
16	6,9 gRB 17/16	X220958	
20	6,9 gRB 17/20	Y220959	
25	6,9 gRB 17/25	Z220960	
32	6,9 gRB 17/32	A220961	
35	6,9 gRB 17/35	B220962	
40	6,9 gRB 17/40	C220963	
45	6,9 gRB 17/45	D220964	
50	6,9 gRB 17/50	E220965	
55	6,9 gRB 17/55	F220966	
63	6,9 gRB 17/63	G220967	
75	6,9 gRB 17/75	H220968	
80	6,9 gRB 17/80	J220969	
90	6,9 gRB 17/90	K220970	
100	6,9 URB 17/100	L220971	

CURRENT RATING	CATALOG NO.	REF #	PACK.
12	6,9 gRB 17P12	D220987	10 (49 g)
16	6,9 gRB 17P16	E220988	
20	6,9 gRB 17P20	F220989	
25	6,9 gRB 17P25	G220990	
32	6,9 gRB 17P32	H220991	
35	6,9 gRB 17P35	J220992	
40	6,9 gRB 17P40	K220993	
45	6,9 gRB 17P45	L220994	
50	6,9 gRB 17P50	M220995	
55	6,9 gRB 17P55	N220996	
63	6,9 gRB 17P63	P220997	
75	6,9 gRB 17P75	Q220998	
80	6,9 gRB 17P80	R220999	
90	6,9 gRB 17P90	S221000	
100	6,9 URB 17P100	T221001	

