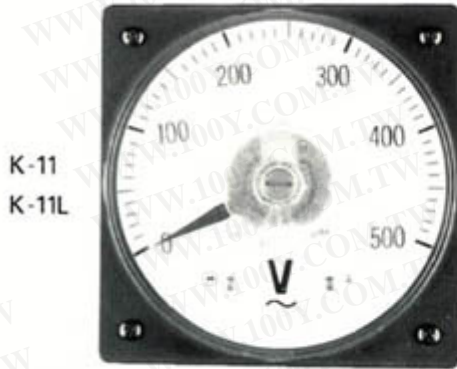


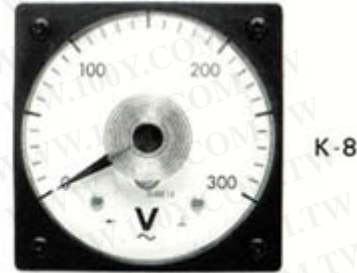
ELECTRICAL MEASURING INSTRUMENTS for Panels & Switchboards

勝特力材料 886-3-5753170
 勝特力电子(上海) 86-21-34970699
 勝特力电子(深圳) 86-755-83298787
[Http://www.100y.com.tw](http://www.100y.com.tw)



4 3/8 INCH

K SERIES



3 3/16 INCH

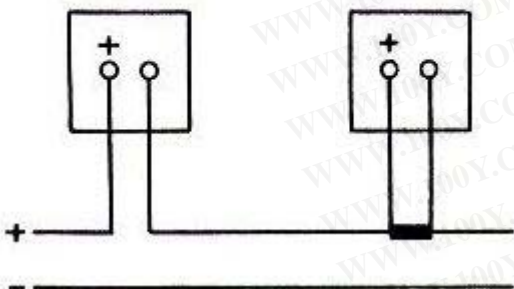
AVAILABLE INSTRUMENTS with CE MARK			
Classification		Operating Principle	Full Scale Value or Rating
DC moving coil	AMMETERS	Moving Coil Type	0-1 mA up to 0-30A
	VOLTMETERS		0-50mV up to 0-1000V
AC Rectifier type	AMMETERS	Rectifier Type	0-1 mA up to 0-5A
	VOLTMETERS		0-3V up to 0-1000V
	FREQUENCY METERS	Frequency Sensing Transducer Type	Voltage: 110V, 220V, 380V, 440V Range: 45-55Hz, 55-65Hz, 45-65Hz

接線圖

DC AMMETER

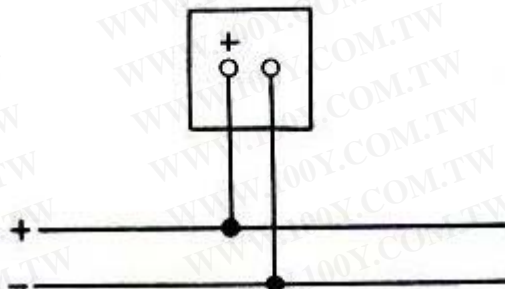
Direct Connected

with Shunt



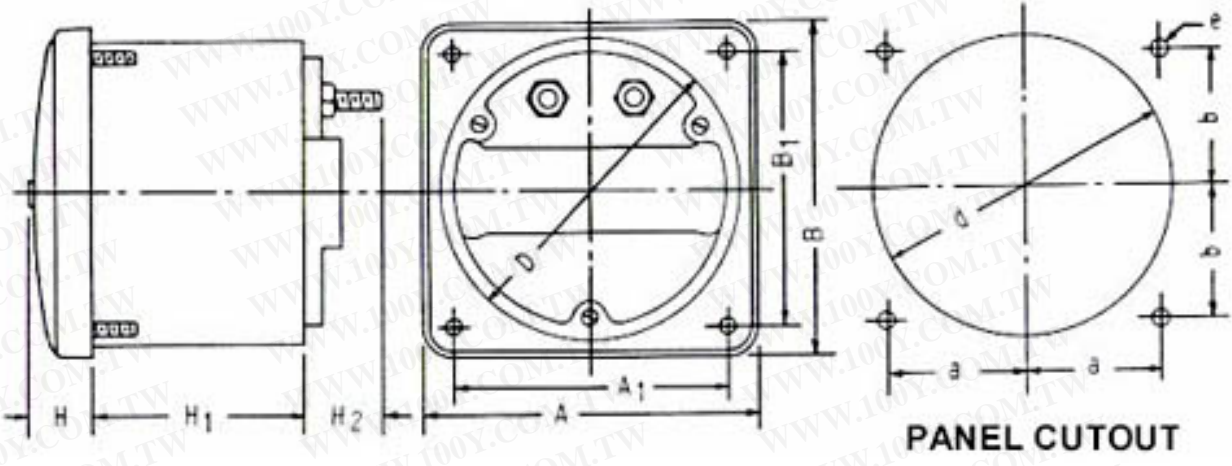
DC VOLTMETER

Direct Connected



尺寸圖

勝特力材料 886-3-5753170
 勝特力电子(上海) 86-21-34970699
 勝特力电子(深圳) 86-755-83298787
[Http://www.100y.com.tw](http://www.100y.com.tw)



DIMENSIONS (Unit : mm)		
Model	K-11	K-8
A	110	80
B	110	80
H	19	16
A1	90	65
B1	90	65
H1	72	78
H2	20	10
D	101	65
a	45	32.5
b	45	32.5
d	101.5	65.5
e	5.5	3.5