

# CS1-RL PULSE (Freq.) Indicator



## DESCRIPTION

CS1-RL **economic** type Pulse Indicator has been designed with high accuracy measurement, display and communication of pulse(Frequency).

- ☑ The innovation feature is auto-range input from 0.01Hz~100KHz(option ~140KHz) and the display resolution will auto-change to show the highest according to input frequency.

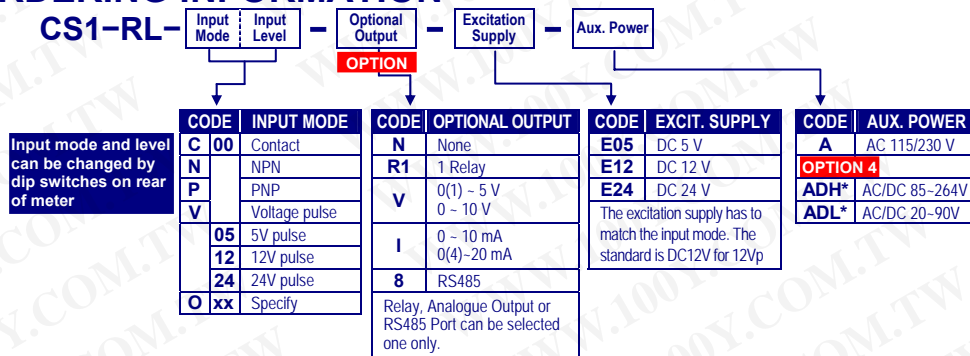
They are also available 1 option of 1 Relay outputs, 1 Analogue output or 1 RS485(Modbus RTU Mode) interface with versatile functions such as control, alarm, re-transmission or communication for a wide range of testing and machinery control applications.



## FEATURE

- Measuring Frequency **AUTO RANGE 0.01~100KHz / ~140KHz(optional) / Contact, NPN, PNP, Voltage pulse** changeable by dip switch.
- Accuracy:  $\pm 0.005\%$ ; Display range: 0~99999; Decimal Point auto moving according to input frequency
- Option available 1 of 1 relay, 1 analogue output or RS485(Modbus RTU mode)
- 1 relay can be programmed to be a Hi / Lo / Hi Latch / Lo Latch energized with Start Delay / Hysteresis / Energized & De-energized Delay functions, or to be a remote control.
- Analogue output or RS 485 communication port in option
- CE Approved & RoHS

## ORDERING INFORMATION



勝特力材料 886-3-5753170  
 勝特力电子(上海) 86-21-34970699  
 勝特力电子(深圳) 86-755-8329878  
[Http://www.100y.com.tw](http://www.100y.com.tw)

## TECHNICAL SPECIFICATION

Input		
Input Frequency	Input Mode	Input Level
0.01Hz ~ 50 Hz	Mech. Contact	
0.01Hz ~ 50 Hz	NPN	High Level: 8-12V; Low Level: 0.0-4.0 V
0.01Hz ~ 100KHz	PNP	(with excitation supply 12Vdc)
0.01Hz ~ 140KHz (optional)	Voltage Pulse	High Level: over 2/3 of input level Low Level: under 1/3 of input level

> **Input Mode(NPN, PNP, Contact) & Level(5Vp, 12Vp, 24Vp) changeable by dip switch of rear terminal block.**

- Calibration:** Doesn't need calibration
- Input range:** Auto range: 0.01Hz ~ 100KHz (~140KHz in option);
- Accuracy:**  $\pm 0.005\%$  of  $ES \pm 1C$ ;
- Sampling time:** 15 cycles/sec( $\geq 15Hz$ );  
f cycles/sec( $\leq 15Hz$ )
- Response time:**  $\leq 100$  msec(when the AvG = "1")
- Time out function:** Auto, Manual programmable, In manual mode, the period of time out can be set 0.0 sec-999.9sec

### Display & Functions

- LED:** Numeric: 5 digits, 0.8"(20.0mm)H red high-brightness
- Relay output indication:** 1 square red LED
- RS 485 communication:** 1 square red LED
- E.C.I. function indication:** 1 square green LED
- Max/Mini Hold indication:** 2 square orange LED
- Down key function indication(Reset for Max.(Mini.) Hold / PV Hold / Rel. PV):** 1 square green LED
- Display type:** RPM / RPS / Linear Line Speed / Frequency

- Display range:** 0.0000-99999 with auto moving of decimal point
- Resolution of PV:** Auto / Semi-Auto / Fix; 3 mode programmable
- Compensation factor:** Compensate error from 0.001-9.999
- Over range indication:** ovFL, when input is over 120% of input range Hi
- Max / Mini recording:** Maxi & Mini Value of PV storage during power on.
- Display functions:** PV / Max(Mini) Hold / RS 485 programmable
- Front key functions:** Relative PV / PV Hold / Reset for maxi(mini) hold / Reset for relay energized latch programmable
- Low cut:** Settable range: -19999-29999 counts
- Digital fine adjust:** Pv.Zro: Settable range: 0-+99999  
Pv.Spn: Settable range: 0-+99999

### Reading Stable Function

- Average:** Settable range: 1-99 times
- Moving average:** Settable range: 1(None)-10 times
- Digital filter:** Settable range: 0(None)/1-99 times

### Control Functions(option)

- Set-points:** One set-points
- Control relay:** One relays, FORM-C, 5A/230Vac, 10A/115V
- Relay energized mode:** Energized levels compare with set-points: Hi / Lo / Hi.HLd / Lo.HLd programmable
- Energizing functions:** Start delay / Energized & De-energized delay / Hysteresis Energized Latch
- Start band(**Minimum level for Energizing): 0-9999counts
- Start delay time:** 0:00.0-9(Minutes):59.9(Second)
- Energized delay time:** 0:00.0-9(Minutes):59.9(Second)
- De-energized delay time:** 0:00.0-9(Minutes):59.9(Second)
- Hysteresis:** 0-5000 counts

**Analogue output(option)**

- Accuracy:**  $\leq \pm 0.1\%$  of F.S.;
- Ripple:**  $\leq \pm 0.1\%$  of F.S.
- Response time:**  $\leq 100$  msec. (10~90% of input)
- Isolation:** AC 2.0 KV between input and output
- Output range:** Specify either Voltage or Current output in ordering  
**Voltage:** 0~5V / 0~10V / 1~5V programmable  
**Current:** 0~10mA / 0~20mA / 4~20mA programmable
- Output capability:** **Voltage: 0~10V;  $\geq 1000\Omega$**   
**Current: 4(0)~20mA;  $\geq 600\Omega$  max**
- Functions:** **Ao.HS(output range high):** Settable range: -19999~99999  
**Ao.LS(output range Low):** Settable range: -19999~99999
- Digital fine adjust:** **Ao.Zro:** Settable range: -38011~+27524  
**Ao.Spn:** Settable range: -38011~+27524

**RS 485 Communication(option)**

- Protocol:** Modbus RTU mode
- Baud rate:** 1200/2400/4800/9600/19200/38400 programmable
- Data bits:** 8 bits
- Parity:** Even, odd or none (with 1 or 2 stop bit) programmable
- Address:** 1 ~ 255 programmable
- Remote display:** to show the value from RS485 command of master
- Distance:** 1200M
- Terminate resistor:** 150 $\Omega$  at last unit.

**Electrical Safety**

- Dielectric strength:** AC 2.0 KV for 1 min, Between Power / Input / Output / Case
- Insulation resistance:**  $\geq 100M$  ohm at 500Vdc, Between Power / Input / Output
- Isolation:** Between Power / Input / Relay, Analogue, RS485
- EMC:** EN 55011:2002; EN 61326:2003
- Safety(LVD):** EN 61010-1:2001

**Environmental**

- Operating temp.:** 0~60 °C
- Operating humidity:** 20~95 %RH, Non-condensing
- Temp. coefficient:**  $\leq 100$  PPM/°C
- Storage temp.:** -10~70 °C
- Enclosure:** Front panel: IEC 549 (IP54); Housing: IP20

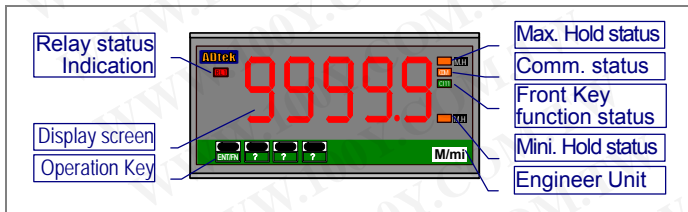
**Mechanical**

- Dimensions:** 96mm(W) x 48mm(H) x 72mm(D)
- Panel cutout:** 92mm(W) x 44mm(H)
- Case materiel:** ABS fire-resistance (UL 94V-0)
- Mounting:** Panel flush mounting
- Terminal block:** Plastic NYLON 66 (UL 94V-0)  
10A 300Vac, M2.6, 1.3~2.0mm<sup>2</sup>(16~12AWG)
- Weight:** 350g / 300g(Aux. Power Code: ADH or ADL)

**Power**

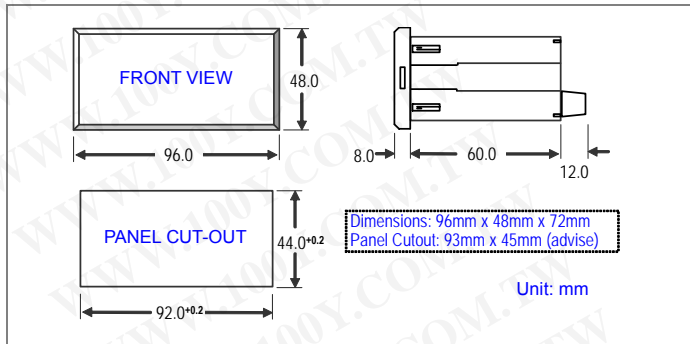
- Power supply:** AC115/230V,50/60Hz;  
Optional: AC/DC 85~264V or 20~90V(RoHS version)
- Excitation supply:** DC12V, 24V/30mA maximum
- Power consumption:** 4.5VA maximum
- Back up memory:** By EEPROM

**FRONT PANEL**

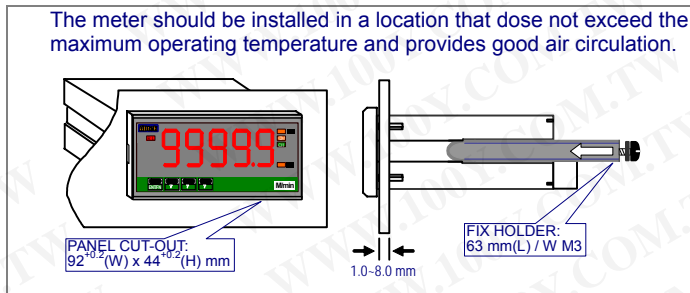


勝特力材料 886-3-5753170  
 勝特力电子(上海) 86-21-34970699  
 勝特力电子(深圳) 86-755-83298787  
[Http://www.100y.com.tw](http://www.100y.com.tw)

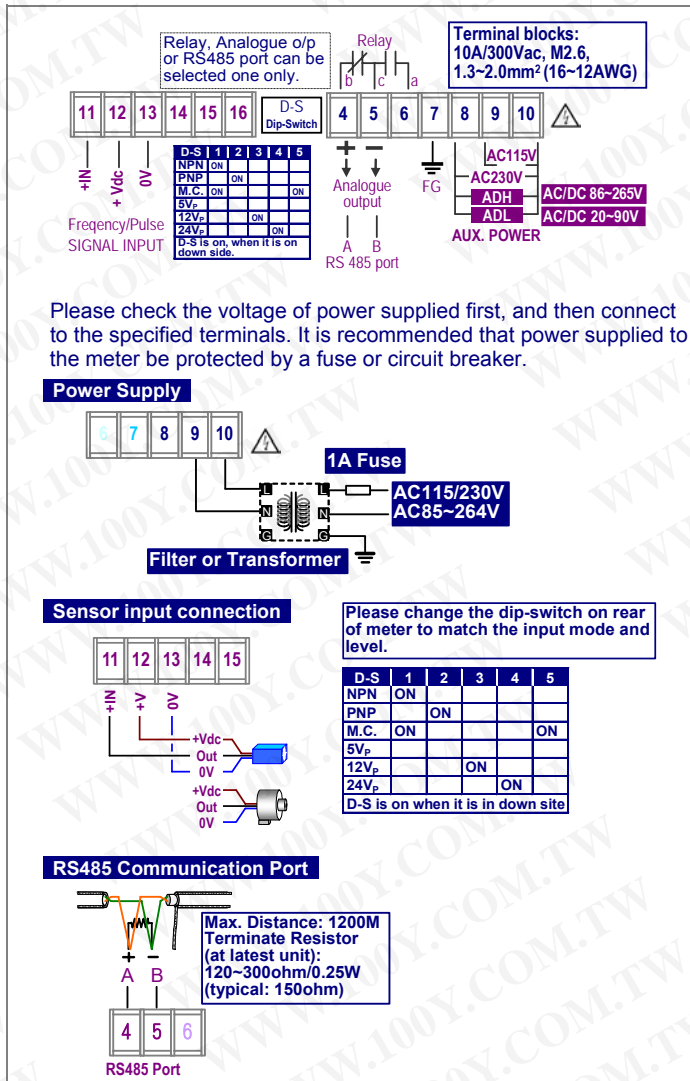
**DIMENSIONS**



**INSTALLATION**



**CONNECTION DIAGRAM**



## FUNCTION DESCRIPTION

### Input Functions

**Input range:** Auto-Range: 0.01Hz~100.00KHz(option 140KHz),

The meter has been designed very wide input range from 0.01Hz~100.00KHz (Option: 0.01Hz~140.00KHz) that can cover almost any application for RPM, Linear Line Speed and Frequency. User doesn't need to specify the input range.

**Auto range display:** programmable between Auto Range / Semi-Auto Range / manual range. The description as below,

**Auto range [Auto]:** The decimal point will be auto changed according to the input frequency so that keep in the highest resolution.

**Semi-Auto range [SEMI]:** The decimal point will be auto changed according to the input frequency to keep reading in the highest resolution under setting position of decimal point.

according to the setting of decimal point. So, it's possible to show "overflow", if the input frequency is over the display range.

**Manual range [MANUL]:** The decimal point will be fixed

### Time out of input:

In the case of low frequency, the meter can not to identify that is low frequency and no input until the next pulse input. Sometimes, it takes a long period.

The meter builds in a time out function to cut out the reading to be "0". There are two modes [MANUL] / [Auto] can be programmed.

**Manual [MANUL]:** There is a period named [ito] can be set from 0.0 sec~999.9sec. The reading will display "0", when the next pulse doesn't input during the setting time.

**Auto range [Auto]:** The reading will display "0", when the pulse doesn't input during the time that gave by formula of meter's firmware.

### Period of time out:

Settable: 0.0 sec~999.9sec

If the time out mode [ito.Md] set to be [MANUL], ito will show out.

### Display & Functions

**Max / Mini recording:** The meter will storage the maximum and minimum value in [User Level] during power on in order to review drifting of PV.

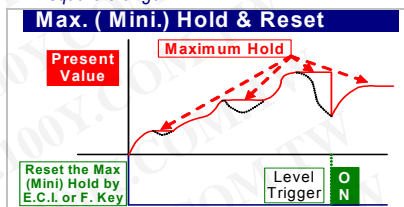
**Display functions:** PV / Max(Mini) Hold / RS 485 programmable in [dSPly] function of [inPUt GroUP]

(Please refer to step A-08)

**Present Value [Pv]:** The display will show the value that Relative to Input signal.

**Maximum Hold [Max.H] / Minimum Hold [Mini.H]:** The meter will keep display in maximum(minimum) value during power on, until press front key to reset (If the down key function in [inPUt GroUP] has been set to [M.rSt].)

➤ Please find the [MH] sticker that enclosure the package of the meter to stick on the right side of square orange LED



**Remote Display by RS485 command [RS485]:** The meter will show the value that received from RS485 sending. In past, The meter normally receive 4~20mA or 0~10V from AO or digital output from BCD module of PLC. We support a new solution that PV shows the value from RS485 command of master can so that can be **save cost and wiring** from PLC.

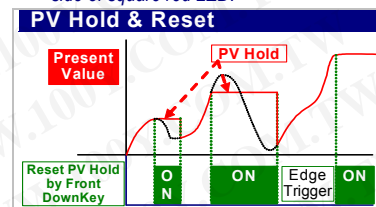
**Front key functions:** Relative PV / PV Hold / Reset for maxi(mini) hold / Reset for relay energized latch programmable in [dn.KEY] function of [inPUt GroUP]

**Relative PV [REL.Pv]:** [dn.KEY] function can be set to be [REL.Pv] function. When user press the [key], the display will show the differential value( $\Delta PV$ ), until press [key] again.

➤ Please find the [R.PV] sticker to stick on the right side of square red LED.

**PV Hold [Pv.HLD]:** [dn.KEY] function can be set to be [Pv.HLD] function. When user press the [key], the display will be hold until press the [key] again.

➤ Please find the [PV.H] sticker to stick on the right side of square red LED.

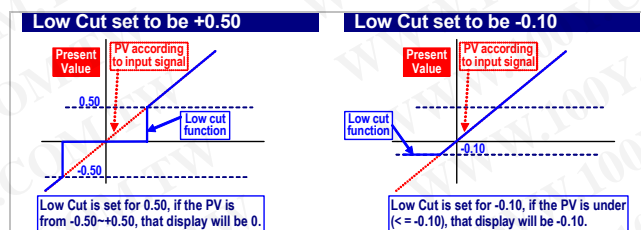


**Reset for Max(Mini) Hold:** when the [dSPly] in [inPUt GroUP] set to be [Max.H] or [Mini.H], [dn.KEY] function can be set to be [M.rSt] to reset the display when it is holding in maxim or mini value.

**Reset for relay energized latch:** when the [rY1.Md] in [rELAY GroUP] set to be [Hi.HLD] or [Lo.HLD], [dn.KEY] function can be set to be [rY.rSt] to reset the relay when it is energizing and latching.

### Low cut:

If the setting value is positive, it means when the absolutely value of  $PV \leq$  Setting value, the display will be 0. If the setting value is negative, it means when the PV under setting value ( $PV \leq$  -Setting value), the display will be setting value.

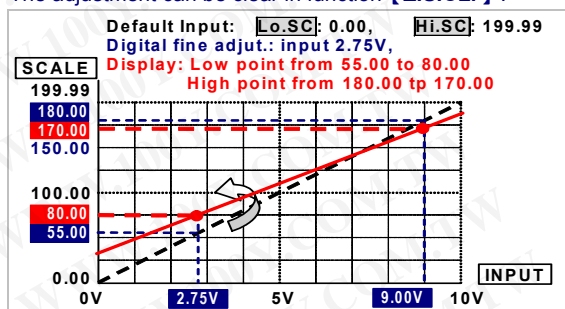


### Digital fine adjustment:

Users can get Fine Adjustment for Zero & Span of PV by front key of the meter, and "Just Key In" the value which user want to show in the current input signals.

Especially, the [Pv.Zro] & [Pv.SPn] are not only in zero & span of PV, but also any lower point for [Pv.Zro] & higher point for [Pv.SPn]. The meter will be linearization for full scale.

The adjustment can be clear in function [Z.S.Clr].



**Compensation factor:** Settable range: 0.001~9.999

The factor is compensation of display. There are some applications that are indirect detection of sensor as like as Gear, wheel. User can set the factor to compensate the display.

勝特力材料 886-3-5753170  
 勝特力电子(上海) 86-21-34970699  
 勝特力电子(深圳) 86-755-83298787  
[Http://www.100y.com.tw](http://www.100y.com.tw)

User installs the proximity switch to detect the RPM of left wheel, and want to show the right wheel. It's easy to set the factor to do it.  
 Frequency: 50Hz; Left wheel: diameter: 1M; Right wheel: diameter: 0.35M



Set:  
 PV type **PULSEP** to be **rPn** RPM.  
 Pulse/Rotation **PPF** to be **1** Pulse/Rotation  
 The meter will show 1480RPM of left wheel.  
 Set: **FACtR** to be 2.857(1M/0.35M), then the meter will show 4228.5RPM for left wheel

### Analogue output(option)

Please specify the output type either an 0~10V or 4(0)~20mA in ordering. The programmable output low and high scaling can be based on various display values. Reverse slope output is possible by reversing point positions.

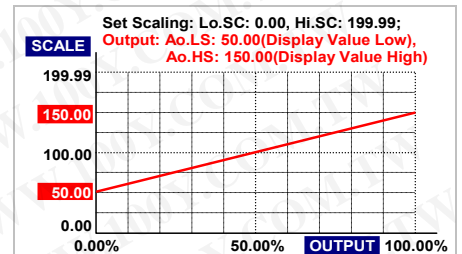
#### Output range:

Voltage: 0-5V / 0-10V / 1-5V programmable  
 Current: 0-10mA / 0-20mA / 4-20mA programmable

#### Functions:

**Ao.HS(output range high):** setting the Display value High to versus output range High(as like as 20mA in 4-20)

**Ao.LS(output range Low):** setting the Display value Low to versus output range Low(as like as 4mA in 4-20)



The range between Ao.HS and Ao.LS should be over 20% of span at least; otherwise, it will be got less resolution of analogue output.

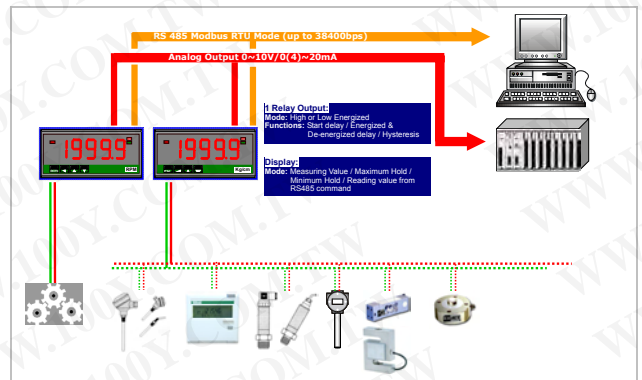
#### Fine zero & span adjustment:

Users can get Fine Adjustment of analogue output by front key of the meter. Please connect standard meter to the terminal of analogue output. To press the front key(up or down key) of meter to adjust and check the output.

- [ Ao.Zro ]** : Fine Zero Adjustment for Analog Output:  
Settable range: -38011~27524;
- [ Ao.Spn ]** : Fine Span Adjustment for Analog Output:  
Settable range: -38011~27524;

### RS 485 Communication(option)

The RS485's protocol is Modbus RTU mode, and baud rate up to 38400bps. It's convenience to remote monitoring, display for reading.

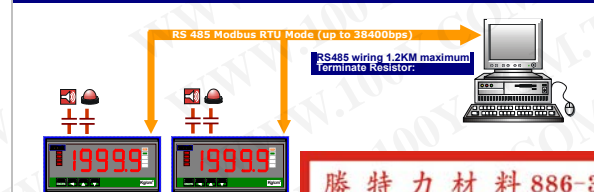


#### Remote display:

The meter will show the value that received from RS485 command. In past, The meter normally receive 4~20mA or 0~10V from AO or digital output from BCD module of PLC. We support a new solution that PV shows the value from RS485 command of master so that can be **save cost and wiring** from PLC.

When the **[ dSPLY ]** set to be RS485, it means, the PV screen will show the number from RS485 command & data. The data(number) will be same as PV that will compare with set-point, analogue output and ECI functions so that is to control analogue output, relay energized and so on.

#### CS1 APPLICATION FOR REMOTE DISPLAY FROM RS485 COMMAND

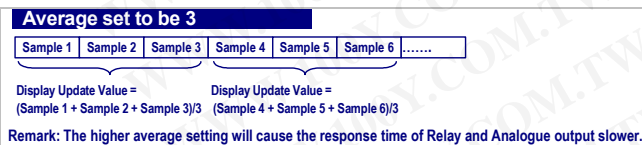


勝特力材料 886-3-5753170  
 勝特力电子(上海) 86-21-34970699  
 勝特力电子(深圳) 86-755-83298787  
 Http://www.100y.com.tw

### Reading Stable Function

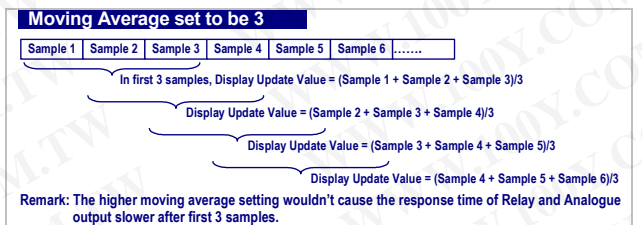
#### Average:

Basically, the sampling rate of meter is 15cycles/sec. If the function set to be 3 times, It means the meter will update of display will be 5 times/sec.



#### Moving average:

If the function to be set 3 times, the meter will update delay in first 3 samples, then it will update 15 times/sec continuously.



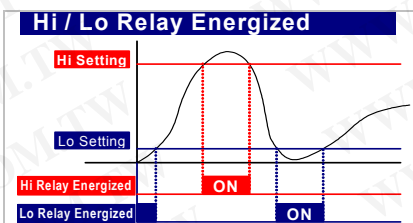
#### Digital filter:

The digital filter can reduce the magnetic noise in field.

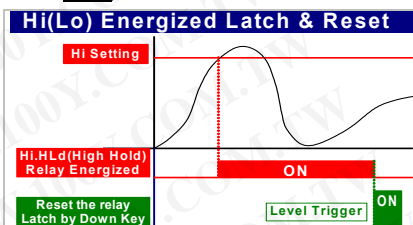
### Control functions(option)

#### Relay energized mode: Hi / Lo / Hi.HLd / Lo.HLd programmable

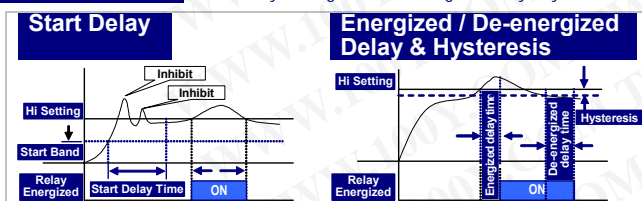
**Hi:** Relay will energize when PV > Set-Point  
**Lo:** Relay will energize when PV < Set-Point



**Hi.HLd (Lo.HLd):** When the PV is Higher (or lower) than set-point, the relay will be energized and latch until manual reset by from key in **[ User Level ]** or press down key to reset(if the **[ dn.KEY ]** function set to be **[Y.rSt]**)



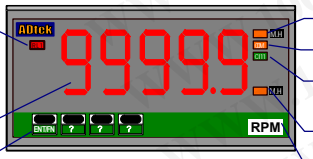
#### Energized functions: Start delay / Energized & De-energized delay / Hysteresis



## ■ ERROR MASAGE

DESCRIPTION	DISPLAY	FLASH	REMARK
<b>BEFORE POWER ON, PLEASE CHECK THE SPECIFICATION AND CONNECTION AGAIN.</b>			
<b>SELF-DIAGNOSIS AND ERROR CODE:</b>			
<b>ouFL</b> : Display is positive-overflow (Signal is over display range)	<b>ouFL</b>		(Please check the input signal)
<b>-ouFL</b> : Display is negative-overflow (Signal is under display range)	<b>-ouFL</b>		(Please check the input signal)
<b>ouFL</b> : ADC is positive-overflow (Signal is higher than input 120%)	<b>ouFL</b>		(Please check the input signal)
<b>-ouFL</b> : ADC is negative-overflow (Signal is lower than input -120%)	<b>-ouFL</b>		(Please check the input signal)
<b>E E P / F A I L</b> : EEPROM occurs error	<b>E E P</b>	<b>F A I L</b>	(Please send back to manufactory for repaired)
<b>A I C.n G / P u</b> : Calibrating Input Signal do not process	<b>A I C.n G</b>	<b>P u</b>	(Please process Calibrating Input Signal)
<b>A I C. / F A I L</b> : Calibrating Input Signal error	<b>A I C.</b>	<b>F A I L</b>	(Please check Calibrating Input Signal)
<b>A o C.n G / P u</b> : Calibrating Output Signal do not process	<b>A o C.n G</b>	<b>P u</b>	(Please process Calibrating Output Signal)
<b>A I C. / F A I L</b> : Calibrating Output Signal error	<b>A I C.</b>	<b>F A I L</b>	(Please check Calibrating Output Signal)

## ■ FRONT PANEL:



Relay status Indication

Display screen

Operation Key

Max. Hold status

Comm. status

Front Key function status

Mini. Hold status

Engineer Unit

**Numeric Screens**  
0.8”(20.0mm) red high-brightness LED for 5 digital present value.

**I/O Status Indication**

- **Relay Energized:** 1 square red LED  
**RL1** display when Relay 1 energized;
- **RS485 Communication:** 1 square orange LED  
**COM** will flash when the meter is receive or send data, and **COM** flash quickly means the data transient quicker.
- **Max/Mini Hold indication:** 2 square orange LEDs  
**M.H** displayed: When the display function has been selected in Maximum or Minimum Hold function.

**Stickers:**  
Each meter has a sticker what are functions and engineer label enclosure.

- **Relay energized mode:** **HH** **Hi** **Lo** **LL** **DO**
- **Down key functions mode:**  
**P.V.H** PV.H(PV Hold) / **Tare** Tare / **DI** DI(Digital Input)  
**M.R.S** M.RS(Maximum or Minimum Reset) /  
**R.R.S** R.RS(Reset fo Relay Latch)
- **Engineer Label:** over 80 types.

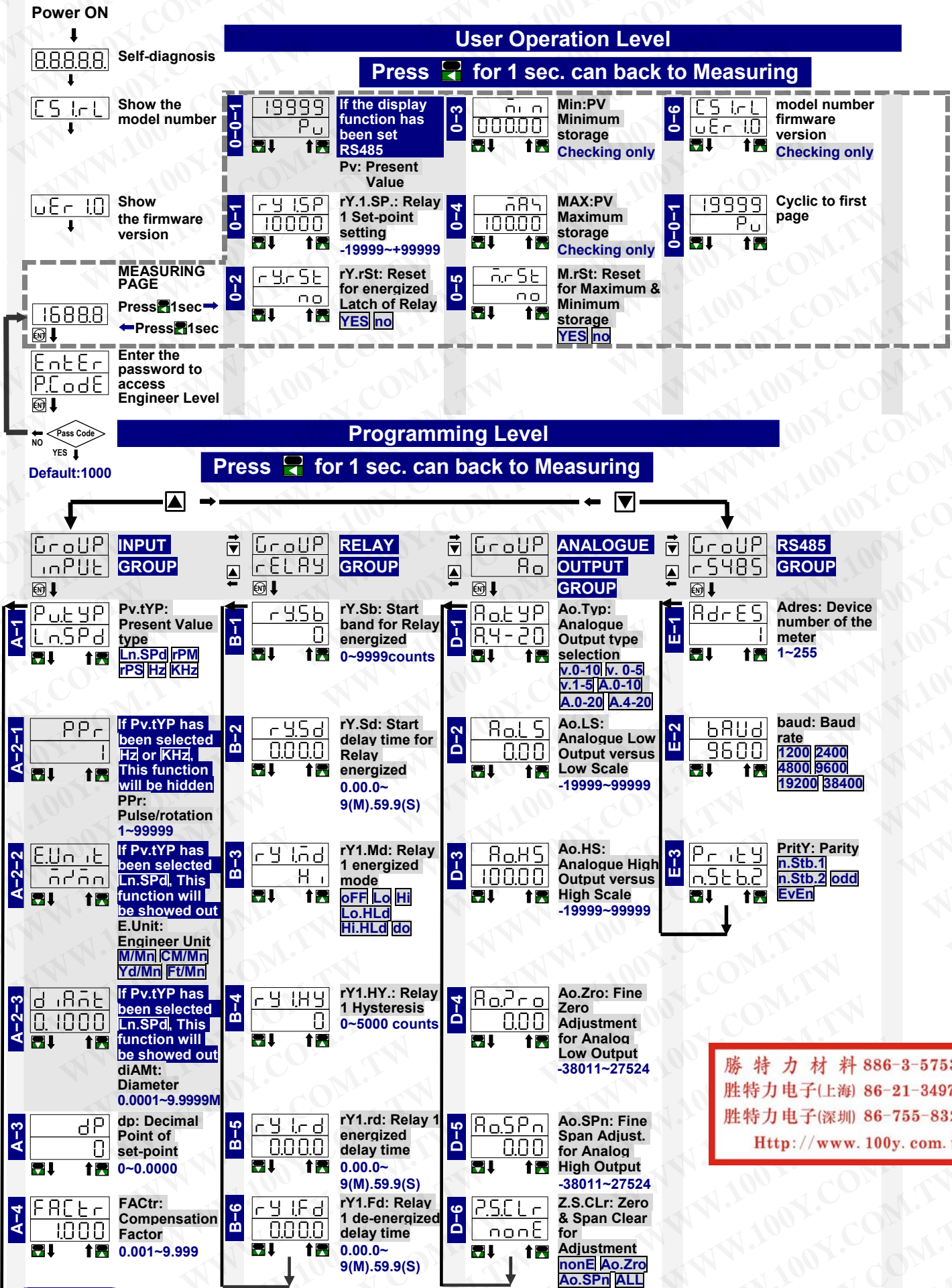
- **Operating Key:** 4 keys for **Enter(Function)** / **Shift(Escape)** / **Up key** / **Down key**

	Setting Status	Function Index
<b>Up key</b>	Increase number	Go back to previous function index
<b>Down key</b>	Decrease number	Go to next function index
<b>Shift key</b>	Shift the setting position	Go back to this function index, and abort the setting
<b>Enter/Fun key</b>	Setting Confirmed and save to EEPROM	From the function index to get into setting status

- **Pass Word:** Settable range:0000~9999; User has to key in the right pass word so that get into **【Programming Level】**. Otherwise, the meter will go back to measuring page. If user forget the password, please contact with the service window.
- **Function Lock:** There are 4 levels programmable.
  - **None:** no lock all.
  - **User Level:** User Level lock. User can get into User Level for checking but setting.
  - **Programming Level:** Programming level lock. User can get into programming level for checking but setting.
  - **ALL:** All lock. User can get into all level for checking but setting.
- **Front Key Function**
  - The **Enter** Key can be set to be **rEL.Pv** / **Pv.HLd** / **M.rSt** / **rY.rSt** programmable.

勝特力材料 886-3-5753170  
 勝特力电子(上海) 86-21-34970699  
 勝特力电子(深圳) 86-755-83298787  
 Http://www.100y.com.tw

# OPERATING DIAGRAM (The detail description of operation, Please refer to operating manual)



勝特力材料 886-3-5753170  
 勝特力电子(上海) 86-21-34970699  
 勝特力电子(深圳) 86-755-83298787  
[Http://www.100y.com.tw](http://www.100y.com.tw)

A-5	Pv.SPn 0	Pv.SPn: Fine High point Adjustment for PV display 0~+99999
A-6	S.C.Lr no	S.CLr: Clear Fine Span Adjustment for PV display YES no
A-7	dSPLY Pu	dSPLY: Display Function Pv Mini.H MAX.H rS485
A-8	Lo.Cut 0	Lo.Cut: Low Cut Function -19999~ +29999
A-9	ito.Md AUto	ito.Md: Input time out Mode AUto MANUL
A-10	ito 0.0	If Ito.Md has been selected MANUL. This function will be showed out ito: How long will be time out 0.0~999.9sec
A-11	rAnGE AUto	rAnGE: Reading Range with decimal point switching. AUto SEMI MANUL
A-12	AvG 5	AvG: Average update for PV 1(None)~ 99 times
A-13	M.AvG 1	M.AvG: Moving Average update for PV 1(None)~ 10 times
A-14	d.FiLt 0	d.FiLt: Digital filter 0(None)/1~99 times
A-15	dn.KEY nonE	dn.KEY: Down key function nonE rEL.Pv Pv.HLd M.rSt rY.rSt
A-16	P.CodE 0000	P.CodE: Pass Code for enter Engineer Level 0000~9999
A-17	F.LoCk nonE	F.LoCk: Function Level Lock nonE USER EnG ALL

勝特力材料 886-3-5753170  
 勝特力电子(上海) 86-21-34970699  
 勝特力电子(深圳) 86-755-83298787  
[Http://www.100y.com.tw](http://www.100y.com.tw)

> Plesae refer to operating manual for detail description.