

100y: 98457

廠商編號:GY-232

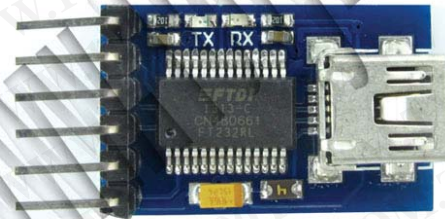
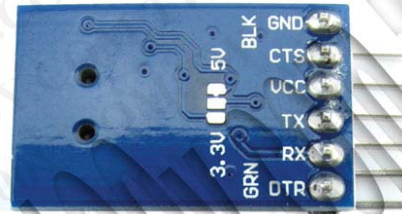
This is the newest revision of our FTDI Basic. We bottom, which makes it smaller and more same.

This is a basic breakout board for the FTDI this board matches the FTDI cable to work with boards. It can also be used for general serial board is that it brings out the DTR pin as The DTR pin allows an Arduino target to downloaded. This is a really nice feature to have without having to hit the reset button. This board the reset pin brought out to a 6-pin connector.

The pins labeled BLK and GRN correspond to the colored wires on the FTDI cable. The black wire on the FTDI cable is GND, green is CTS. Use these BLK and GRN pins to align the FTDI basic board with your Arduino target.

This board has TX and RX LEDs that make it a bit better to use over the FTDI cable. You can actually see serial traffic on the LEDs to verify if the board is working.

This board was designed to decrease the cost of Arduino development and increase ease of use (the auto-reset feature rocks!). Our Arduino Pro boards and LilyPads use this type of connector.



勝特力材料 886-3-5753170
勝特力电子(上海) 86-21-34970699
勝特力电子(深圳) 86-755-83298787
[Http://www.100y.com.tw](http://www.100y.com.tw)

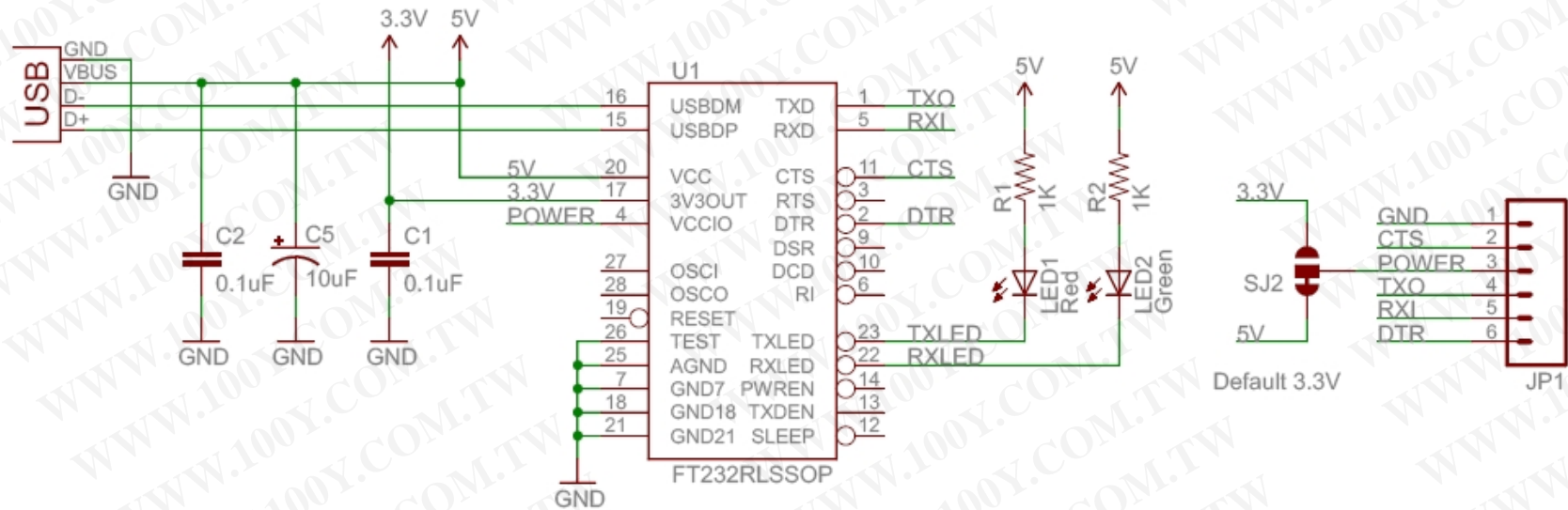
now use a SMD 6-pin header on the compact. Functionality has remained the

FT232RL USB to serial IC. The pinout of official Arduino and cloned 5V Arduino applications. The major difference with this opposed to the RTS pin of the FTDI cable. auto-reset when a new Sketch is and allows a sketch to be downloaded will auto reset any Arduino board that has

One of the nice features of this board is a jumper on the back of the board that allows the board to be configured to either 3.3V or 5V (both power output and IO level). This board ship default to 5V, but you can cut the default trace and add a solder jumper if you need to switch to 3.3V.

FTDI Basic | Arduino

DTR ----- Reset TX0 ----- RXI RXI ----- TX0
 3V3 ----- +5V(it's mislabeled; only 3.3V when you flip the solder switch from default 5V)
 CTS ----- GND (pull low)
 GND ----- GND



應用範例下載：<http://pan.baidu.com/s/1c0qzFR6>

勝特力材料 886-3-5753170
勝特力电子(上海) 86-21-34970699
勝特力电子(深圳) 86-755-83298787
<Http://www.100y.com.tw>