

CATALOG No. E4190-543, 575

勝特力材料 886-3-5753170
勝特力电子(上海) 86-21-54151736
勝特力电子(深圳) 86-755-83298787
[Http://www.100y.com.tw](http://www.100y.com.tw)

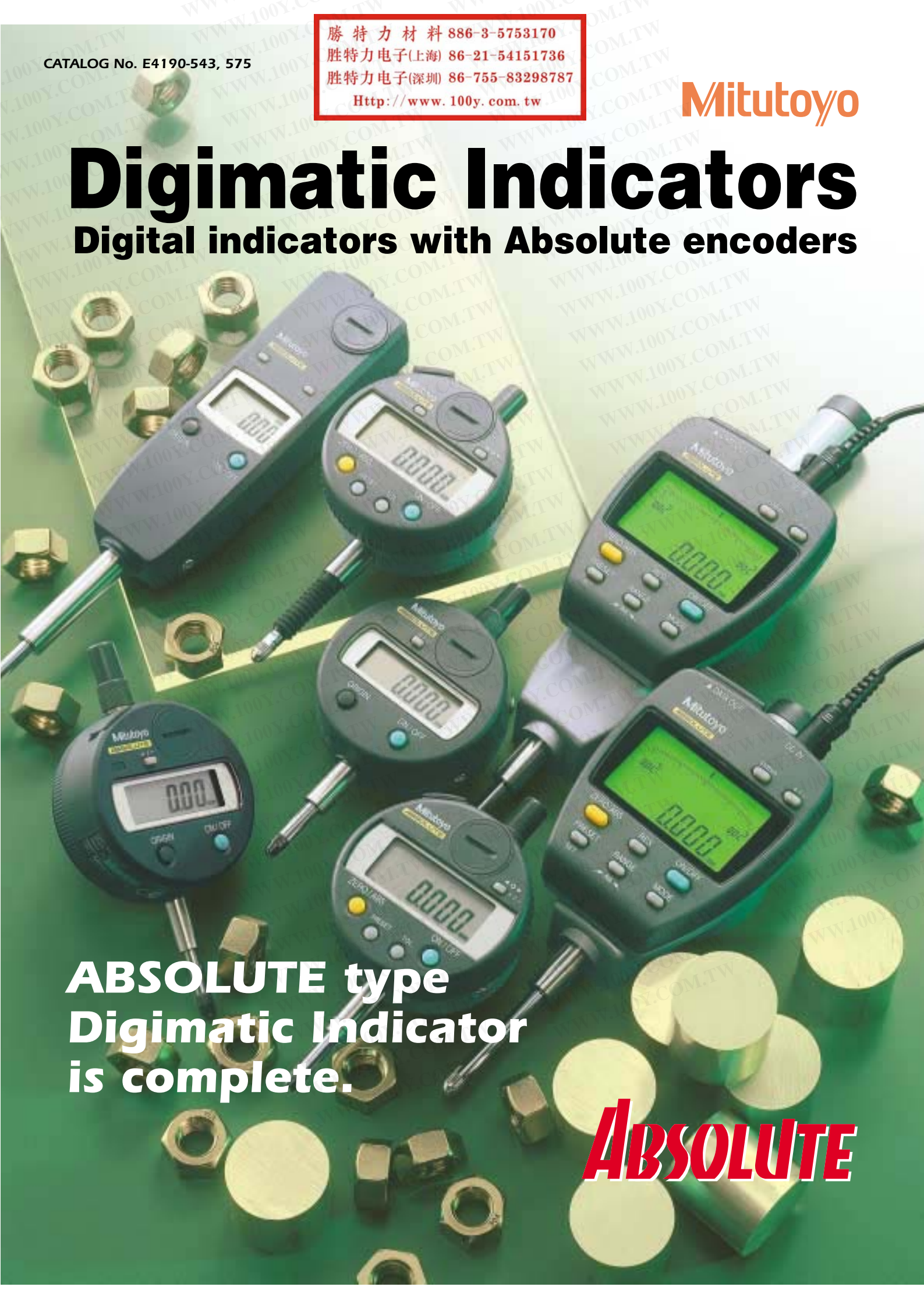
Mitutoyo

Digimatic Indicators

Digital indicators with Absolute encoders

**ABSOLUTE type
Digimatic Indicator
is complete.**

ABSOLUTE



ABSOLUTE IDS

勝特力材料 886-3-5753170
 勝特力电子(上海) 86-21-54151736
 勝特力电子(深圳) 86-755-83298787
[Http://www.100y.com.tw](http://www.100y.com.tw)

12mm/.5" range model
Simplified key functions in an economical-package

Technical Data

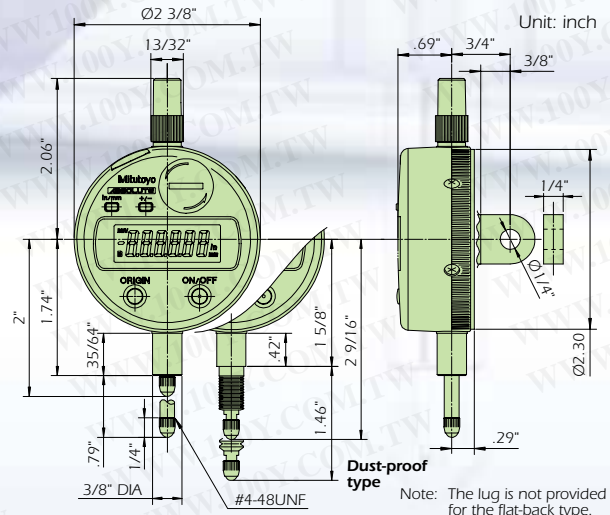
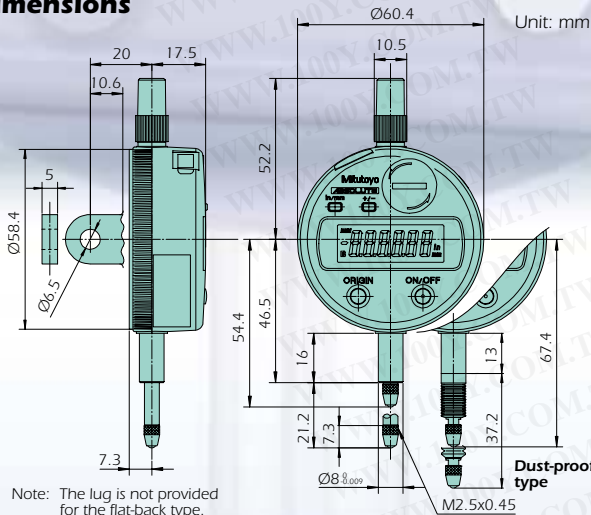
- **Display:** LCD
- **Key functions:** Origin setting, power on/off, counting direction switching, inch/mm conversion (inch/mm type), SPC data output
- **Battery:** SR44 (1 pc.) (938882)
- **Battery life:** 20,000 hours in continuous use
- **Stem diameter:** 8mm (ISO/JIS type) or 3/8" (ANSI/AGD type)
- **Contact point:** Carbide ball (ISO/JIS type) or steel ball (ANSI/AGD type)
- **Measuring force:** 2.0N or less
2.5N or less (Dust-proof type with rubber boot)
- **Dust-water protection level:** Conforming to IP42
Conforming to IP53 (Dust-proof type with rubber boot)
- **Alarm:** Low battery voltage, scale contaminations
- **Operating temperature:** 0°C to 40°C
- **Mass:** 150g/.33 lbs. (120g/.26 lbs.)*

*0.01mm (.005"/0.01mm) resolution type



543-692

Dimensions



Order No. (ISO/JIS type)

Resolution	Range	Order No.		Accuracy
		Back w/lug	Flat-back	
0.001mm	12mm	543-690	543-690B	0.003mm
		543-694*	543-694B*	0.003mm
0.01mm	12mm	543-681	543-681B	0.02mm
.00005"/0.001mm	.5"/12mm	513-691	513-691B	.00012"
		543-695*	543-695B*	.00012"
.0005"/0.01mm	.5"/12mm	543-682	543-682B	.0008"

* Dust-proof type with rubber boot

Order No. (ANSI/ADG type)

Resolution	Range	Order No.		Accuracy
		Back w/lug	Flat-back	
.00005"/0.001mm	.5"/12mm	543-692	543-692B	.00012"
		543-696*	543-696B*	.00012"
.0001"/0.001mm	.5"/12mm	543-693	543-693B	.00012"
.0005"/0.01mm	.5"/12mm	543-683	543-683B	.0008"

* Dust-proof type with rubber boot