

## Adding counter Type series W15.51, W16.50 and W 17.50



R.100.149



### Type series W15.51:

- 5 digit totaliser with manual reset
- Suitable for battery operation
- 48 x 24 mm DIN housing
- Available for all common DC- and AC voltages

### Type series W16.50 and W17.50:

- 6- or 7 digit totaliser without reset
- Suitable for battery operation
- 48 x 24 mm DIN housing
- Available for all common DC- and AC voltages

### Applications:

Battery operations, vending and gaming machines, caloric and water consumption, general counting systems

### Counting mechanism:

Type of current	Model	max. pulse frequency	Pulse on time	Pulse interval	Power consumption	Residual ripple
DC	05	8 Hz	min. 50 ms	min. 75 ms	50 mW*	5%
	0	10 Hz	min. 50 ms	min. 50 ms	0.5 W (≤ 115 V) 1 W (185 V)	48%
AC	a0	10 Hz	min. 50 ms	min. 50 ms	0.75 VA (≤ 115 V) 1.5 VA (230 V)	

\*130 mW at type series W 15

### Technical data:

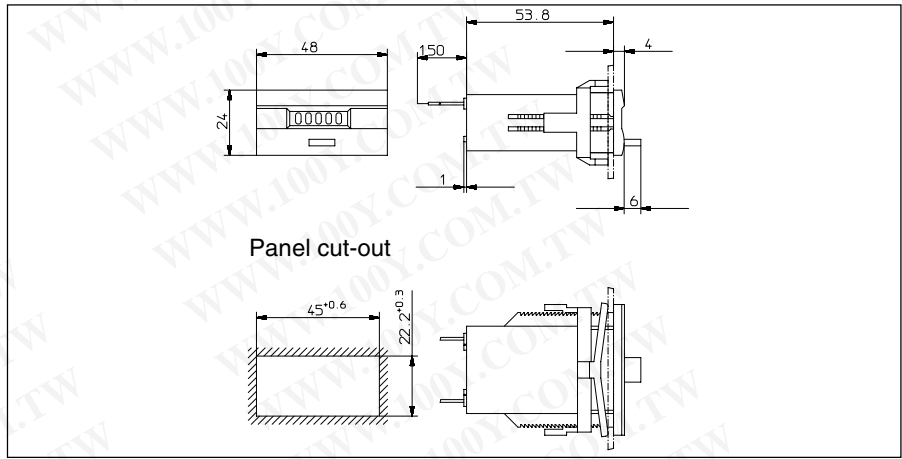
	Type series W 15	Type series W 16 and W17
Electrical connection:	Flying leads AWG 22, 150 mm long	Flying leads AWG 22, 150 mm long
Number of digits:	5	6 / 7
Reset:	manual	without
Colour of figures:	white on black	white on black
Size of figures:	appr. 1.7 x 4 mm	appr. 1.7 x 4 mm
Power consumption:	min. 130 mW	min. 50 mW
Supply voltage:	Version 05: 1.5; 3; 4.5; 5; 6; 12 VDC -5..+15% Version 0: 12; 24; 48; 115; 185 VDC ±10% Version a0: 12; 24; 48; 115; 230 VAC ±10%	Version 05: 1.5; 3; 4.5; 5; 6; 12 VDC -5..+15% Version 0: 12; 24; 48; 115; 185 VDC ±10% Version a0: 12; 24; 48; 115; 230 VAC ±10%
Percentage duty cycle:	100%	100%
Lifetime:	>50 x 10 <sup>6</sup> pulses	>50 x 10 <sup>6</sup> pulses
Ambient temperature:	-10..+50 °C	-10..+50 °C
Colour of housing:	dark grey	dark grey
Mounting position:	any	any
Weight:	appr. 48 g	appr. 50 g

### Options:

	Type series W15	Type series W16 and W17
Electrical connection:		
Silver plated round pins Ø1.5 mm with push-on connectors	Art.-No 1.151.510.XXX.550	W16: Art.-No 1.161.500.XXX.550 W17: Art.-No 1.741.500.XXX.550
Silver plated flat pins 0.8 x 2,8 mm with push-on connectors	Art.-No 1.159.510.XXX.550	W16: Art.-No 1.169.500.XXX.550 W17: Art.-No 1.749.500.XXX.550
Silver plated flat pins 0.8 x 6,3 mm with push-on connectors	Art.-No 1.150.510.XXX.191.550	W16: Art.-No 1.160.500.XXX.191.550 W17: Art.-No 1.740.500.XXX.191.550
Magnifying glasses for 5 mm figures height:	Art.-No 1.150.510.XXX.344.550	W16: Art.-No 1.160.500.XXX.344.550 W17: Art.-No 1.740.500.XXX.344.550
Extended temperature range:	on request	on request



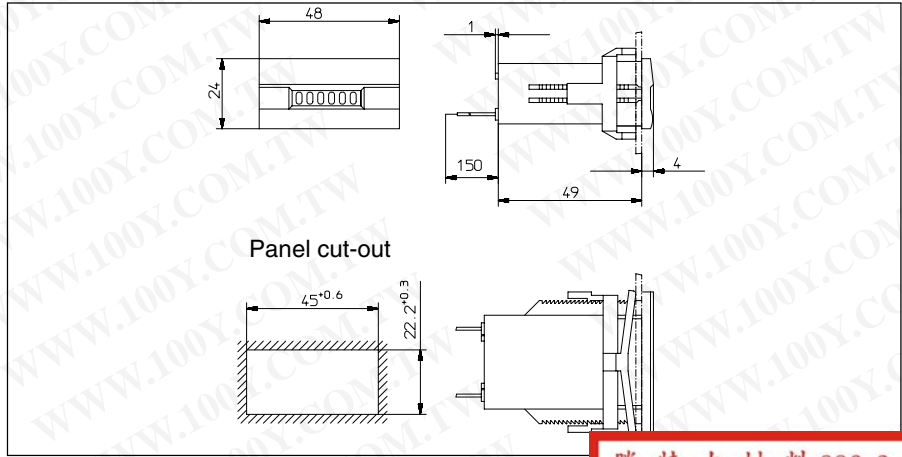
W 15.51



W 15.51	12 V Art.-No	24 V Art.-No	115 V Art.-No	230 V Art.-No
DC (8 Imp./s)	1.150.510.049.550	1.150.510.050.550		
DC (10 Imp./s)	1.150.510.012.550	1.150.510.013.550		
AC (10 Imp./s)		1.150.510.051.550	1.150.510.054.550	1.150.510.056.550



W 16.50

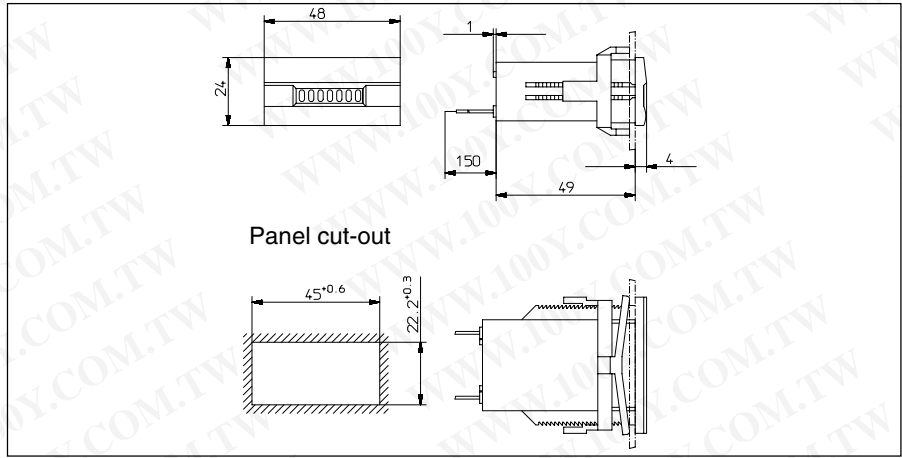


W 16.50	12 V Art.-No	24 V Art.-No	115 V Art.-No	230 V Art.-No
DC (8 Imp./s)	1.160.500.049.550	1.160.500.050.550		
DC (10 Imp./s)	1.160.500.012.550	1.160.500.013.550		
AC (10 Imp./s)		1.160.500.051.550	1.160.500.054.550	1.160.500.056.550

勝特力材料 886-3-5753170  
 勝特力电子(上海) 86-21-54151736  
 勝特力电子(深圳) 86-755-83298787  
[Http://www.100y.com.tw](http://www.100y.com.tw)



W 17.50



W 17.50	12 V Art.-No	24 V Art.-No	115 V Art.-No	230 V Art.-No
DC (8 Imp./s)	1.740.500.049.550	1.740.500.050.550		
DC (10 Imp./s)	1.740.500.012.550	1.740.500.013.550		
AC (10 Imp./s)		1.740.500.051.550	1.740.500.054.550	1.740.500.056.550