

## LED Process Displays – Codix 550



Available with serial interface

### Your benefit

- Programmable input characteristic curve with up to 24 control points
- MIN/MAX value acquisition and data backup in case of Power Off
- Display-Hold
- Very big keys for use with gloves
- Very bright display
- Input range

0 ... 20 mA, 4 ... 20 mA; 0 ... 10 V  
 2 ... 10 V; ±10 V

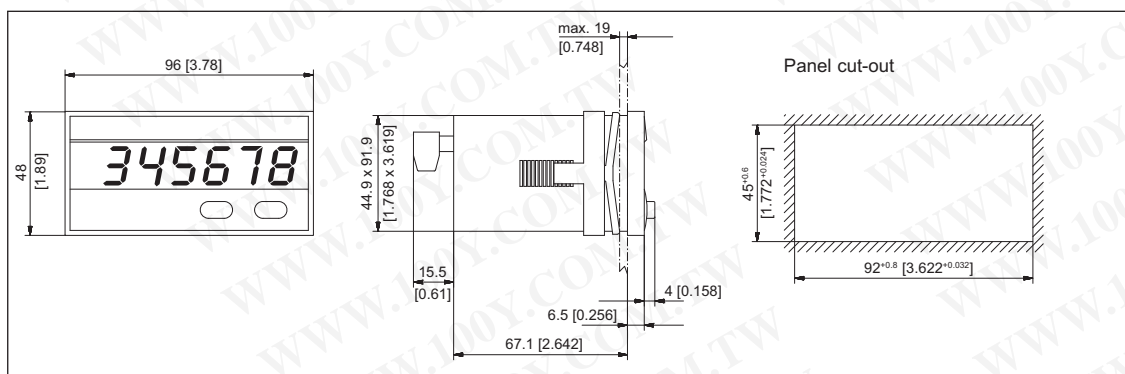
### More advantages

- Auxiliary power supply output for measuring transducer/sensor
- Optional serial interface

### Technical data

Miscellaneous Data		Measuring speed	approx. 2 measurements/s
Display	5 digit red LED 14.2 mm [0.559"] high	Linearity	< 0.1% ±1 Digit for the whole measuring range at an ambient temperature of 20°C [68 °F]
Display range	-19999 ... 99999, with leading zeros suppression	Zero calibration	automatic
Out of Range Indication	under-range uuuuu / Over-range ooooo	Temperature drift	100 ppm/K
Data storage	EEPROM, 1 Million storage cycles or 10 Years	Weight	approx. 220 g [7.76 oz]
EMC:	Immunity to interference: EN55011 class B	Protection	IP 65 (front)
Device safety:	design to:	Ambient temperature	-20 ... +65 °C [-4 °F ... 149 °F]
	protection:	Storage temperature	-40 ... +85 °C [-40 °F ... 185 °F]
	application area:	Altitude:	up to 200 m
	protection		
AC power supply	90 ... 260 V AC/max. 6 VA external fuse 100 mA/T	<b>Digital inputs</b>	
DC power supply	10 ... 30 V DC, max. 2 W, galvanically isolated with inverse polarity protection external fuse 250 mA/T	Input MPI*	Function of the input is dependent on set up 1. Function Display-Hold to stop the instantaneous value
Mains Hum Filter	digital filter 50 Hz or 60 Hz, programmable	<b>Auxiliary power supply output for measuring transducer/sensor</b>	
<b>Measurement ranges</b>		<b>AC models</b>	voltage output 10 V DC ±2%, 30 mA and voltage output 24 V DC ±15%, 50 mA
Current input (DC)	ranges	<b>DC models</b>	only voltage output 10 V DC ±2%, 30 mA
	resolution	<b>Interface</b>	
	voltage drop	Available options	RS232, RS485, RS422
	max. current	Baud rate	600, 1200, 2400, 4800, 9600, 19 200 programmable
Voltage input(DC)	ranges	Address	00 ... 99 programmable
	resolution	*MPI: Multi Purpose Input	
	input resistance		
	max. Voltage		

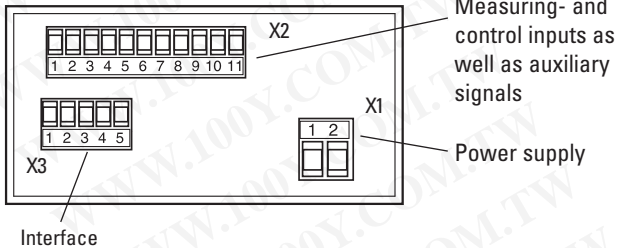
### Dimensions:



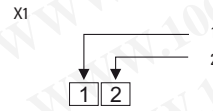
## LED Process Displays – Codix 550

### Connections:

#### Rear side view



#### Power supply



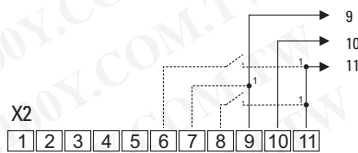
	DC version	AC version
1	10 ... 30 V DC	90 ... 260 V AC (N~)
2	GND4 (0 V DC)	90 ... 260 V AC (L~)

#### Current measurement



1	Current input (I) 0 ... 20 mA / 4 ... 20 mA
2	GND1 (Analog)

#### Control inputs and auxiliary power supply (U<sub>out</sub>)



- 1) Alternatively connect directly to DC supply (galvanic separation of control and measurement inputs)

9	GND3 (for U <sub>out</sub> )
10	U <sub>out</sub> +10 V/30 mA
11	U <sub>out</sub> +24 V/50 mA only for power supply 90 ... 260 V AC
8	MP-Input Display-Hold
7	GND2 (MPI)

#### Voltage measurement



2	GND1 (Analogue)
3	Voltage input (U) 0 ... 10 V, 2 ... 10 V, -10 ... +10 V

#### Interface

X3 1 2 3 4 5

	RS232	RS485	RS422
1	GND	–	–
2	RxD	DO+/RI+	RI+
3	TxD	DO-/RI-	RI-
4	–	–	DO+
5	–	–	DO-

#### Serial interface

- For data transmission and documentation
- Connection for programmable logic controllers
- Programming and read-out of values via PC

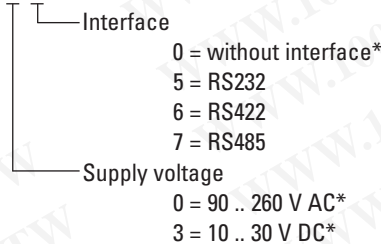
#### Delivery includes:

- Process display
- Screw terminal, 2-pole, RM 5.08
- Screw terminal, 11-pole, RM 3.81
- Screw terminal, 5-pole, RM 3.81(\*)
- Clamping bracket
- Gasket
- Multilingual operating instructions
- 1 set of self-adhesive symbols

\* only with the interface option

#### Order code:

6.550.012.X0X



#### Replacement parts:

11-pin screw terminal	RM 3.81 1 ... 11:	N100356
2-pin screw terminal	RM 5.08 1 ... 2:	N100130
5-pin screw terminal	RM 3.81 1 ... 5:	N100399