





# DIGITAL POWER ON DELAY TIMER

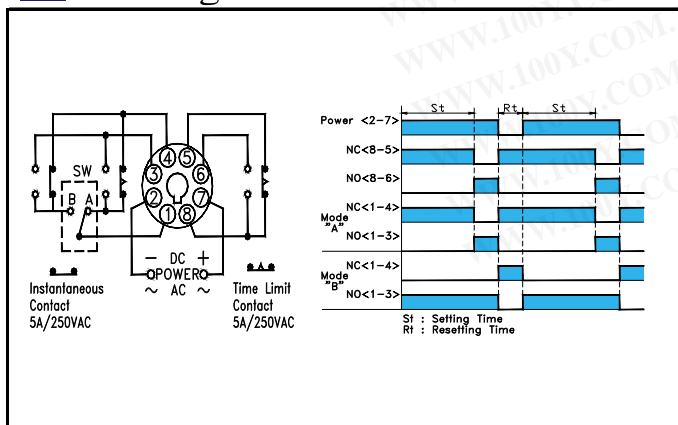
# SY/H5T series

Outline	50 x 60			48 x 48
Model	SY-2D	SY-3D	SY-4D	H5T-4D
Figure				
Range	0~99	0~999	0~9999	0~9999
Display	0.56" Red LED	0.56" Red LED	0.4" Red LED	0.36" Red LED
Weight	145g	150g	155g	160g
Unit	S, 0.1S, 0.01S, M, 0.1M, H or 0.1H Selectable			

## Specification

Power Supply	12V or 24VDC/AC or 90~250 VAC 50/60 Hz
Wattage	5VA max.
Control Output	A Two Limit Contact
	B Limit & Instantaneous
Output Method	Relay 10A
Control Method	Power ON Delay
Timing Method	UP or Down Selectable
Repetivity	0.1% of F.S
Setting Accuracy	0.05% of F.S
Reset Time	0.1S max.
Reset Method	Power OFF Reset
Insulation Strength	100 M Ω / 500 VDC
Dielectric Strength	2.5KV / 1 min
Circumstance	-20° ~ +60°C, 35 ~ 85% RH
Life of Relay	20 X 10 <sup>6</sup> Times

## Timing Chart



## Illumination

Unit : S → 0.1S → 0.01S → M → 0.1M → H → 0.1H

< Push Key  To Select The Unit >

## Slide Switch

LK : To Lock Unit Selecting    N : Up Timer  
UL : To Unlock Unit Selecting    R : Down Timer  
A : Time Limit Contact  
B : Instantaneous Contact

## Dimension Chart

