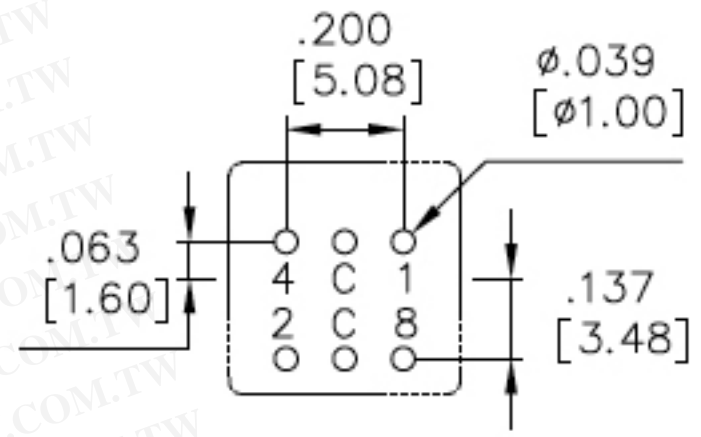
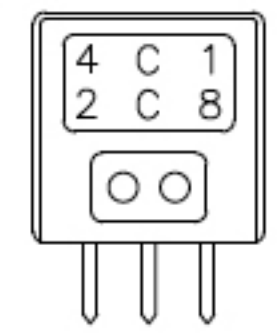


REV. 更改	DESCRIPTION 說明	ENG. 修改人	APPROVE 審核
------------	-------------------	-------------	---------------

P.C.MOUNTING



CODE NO: 14
BCD-16 POSITION

Position	Common C contacted ●				
	1	2	4	8	C
0					●
1	●				●
2		●			●
3	●	●			●
4			●		●
5	●		●		●
6		●	●		●
7	●	●	●		●
8				●	●
9	●			●	●
A		●		●	●
B	●	●		●	●
C			●	●	●
D	●		●	●	●
E		●	●	●	●
F	●	●	●	●	●

SPECIFICATIONS

Operating voltage 24V DC maximum
 Switching current 100mA maximum
 Carrying current 0.5A maximum
 Contact resistance 100m Ω maximum
 Insulation resistance 1,000m Ω minimum
 Dielectric strength 300V AC for 1 minute
 Operating temperature -10°C to 70°C
 Soldering temperature 250 \pm 5°C for 5 seconds
 Life 10,000 step operations minimum

MATERIALS:

- 1.HOUSING,Knob: Thermoplastic
- 2.Printed circuit boards:Hard gold plated over nickel plated on epoxy fiberglass.
- 3.Contacts/Terminations:Precious metal on phospor bronze.

UNLESS OTHERWISE SPECIFIED DIMENSIONS ARE IN MILLIMETERS ANGULAR TOLERANCE: $\pm 1.0^\circ$	
DIMENSIONS	TOLERANCE
0.00 TO 10.00mm	± 0.20 mm
10.01 TO 20.00mm	± 0.25 mm
20.01 TO 30.00mm	± 0.30 mm
30.01 +	± 0.40 mm

USED 用途	900A	
FINISH 處理		
SCALE 比例	2 / 1	UNIT 單位 in(mm)
TITLE 名稱	ROTARY DIP SWITCH	
DWG NO. 圖號	900A-R3-T2-14-12	SIZE 圖紙 A4
FILE NAME 檔案名稱	9AR3T214.dwg	SHEET 張 1 / 1
		REV. 更改 1

ITEM NO. 料號	900A-R3-T2-14-12 Y900A-R3T21412
----------------	------------------------------------

勝特力材料 886-3-5753170
 勝特力电子(上海) 86-21-34970699
 勝特力电子(深圳) 86-755-83298787
[Http://www.100y.com.tw](http://www.100y.com.tw)