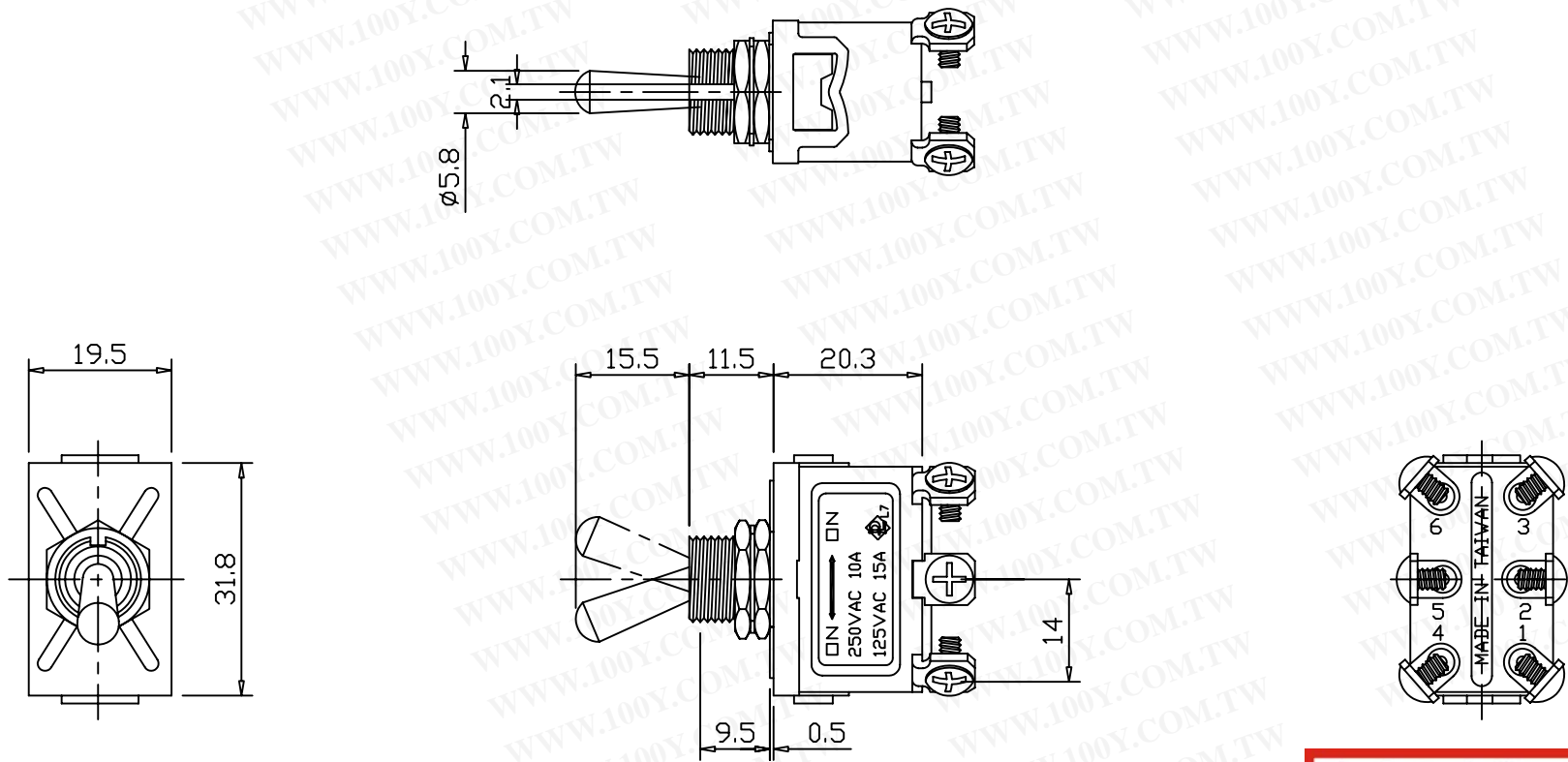


REV. 更改	DESCRIPTION 說明	ENG. 修改人	APPROVE 審核
------------	-------------------	-------------	---------------



SPECIFICATIONS:
 RATING: 10A 250AC, 15A 125VAC.
 INSULATION RESISTANC: DC 500V 200m-ohms min.
 CONTACT RESISTANCE: DC 2-4V 1A 20m-ohms max.
 WITHSTAND VOLTAGE: AC 1500V for 1 minute.

Module No.	Switching Position		
	ON	NONE	ON
DP-1	ON	NONE	ON
Term. Comm.	2-3,5-6	OPEN	2-1,5-4

THESE DRAWINGS AND SPECIFICATIONS ARE THE PROPERTY OF TAIWAY ELECTRONICS LTD. AND SHALL NOT BE REPRODUCED COPIED OR USED IN ANY MANNER WITHOUT THE PRIOR WRITTEN CONSENT OF TAIWAY ELECTRONICS LTD.
 UNLESS OTHERWISE SPECIFIED DIMENSIONS ARE IN MILLIMETERS
 ANGULAR TOLERANCE: ±1.0°

DIMENSIONS	TOLERANCE
0.00 TO 30.00mm	±0.20mm
30.01 TO 80.00mm	±0.25mm
80.01 TO 150.00mm	±0.30mm
150.01 TO	±0.40mm

勝特力材料 886-3-5753170
 勝特力电子(上海) 86-21-34970699
 勝特力电子(深圳) 86-755-83298787
[Http://www.100y.com.tw](http://www.100y.com.tw)

USED 用途	L7	APPD. 審核	
FINISH 處理		CHKD. 校對	
SCALE 比例	1 / 1	UNIT 單位	in(mm)
		DR. 製圖	Kyme 2008/09/22
TITLE 名稱	Power Toggle Switche		
DWG NO. 圖號	L7-DP1-A3-B3-H1		SIZE 圖紙 A4
FILE NAME 檔案名稱	L7DP1A3B3H1.DWG	SHEET 張	1 / 1
		REV. 更改	0