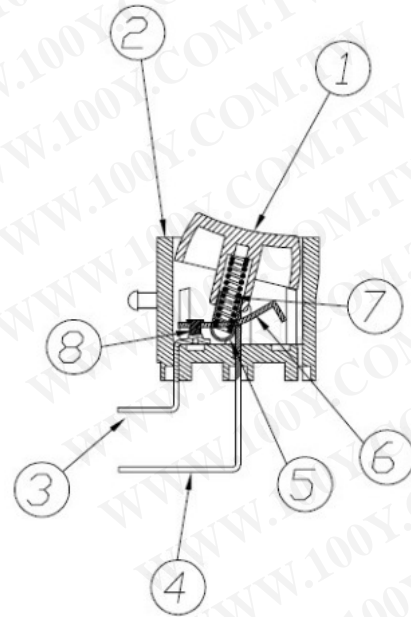




## 二、材質說明：

MATERIAL DESCRIPTION FOR SS01 SERIES

NO.	PART NAME	MATERIAL DESCRIPTION
1	ACTUATOR	PC UL94V-0
2	HOUSING	NYLON66 UL94V-0
3	SHORT-TERMINAL	BRASS, TIN PLATED
4	LONG-TERMINAL	
5	ROLLER	BRASS, NICKEL PLATED
6	CONTACT	BRASS, SILVER PLATED
7	SPRING	STAINLESS STEEL WIRE
8	SILVER CONTACT	Ag ALLOY
ALL MATERIALS ARE ROHS COMPLIANT		



## 三、規格參數：

- 1.ROCKER SWITCH MODEL SS01(BBIWL-RP20-R)
- 2.PCB CONNECTOR TYPE: SINGLE POLE SINGLE THROW
- 3.RATING: 3A 125/250VAC
- 4.CONTACT RESISTANT: <20mΩ (INITIAL)
- 5.INSULATION RESISTANCE: >100MΩ (500VDC BETWEEN OPEN CONTACTS)
- 6.DIELECTRIC STRENGTH: 1500V 1MIN
- 7.MECHANICAL LIFE: >30000 CYCLES
- 8.ELECTRICAL LIFE: >10000 CYCLES
- 9.TEMPERATURE RISE AT THE TERMINAL: MAX. 30°C
- 10.SOLDER ABILITY OF TERMINAL: MAX350°C, 3S (NO PRESSURE MAY BE PLACED IN THE TERMINALS WHEN SOLDERING BY HAND)
- 11.ACTUATOR & HOUSING COLOR: BLACK
- 12.ACTUATOR PRINTING COLOR: WHITE
- 13.ALL MATERIALS ARE ROHS COMPLIANT

