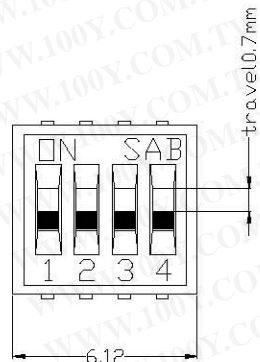


PART NO.: SOJ04

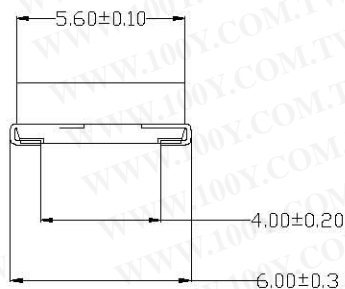
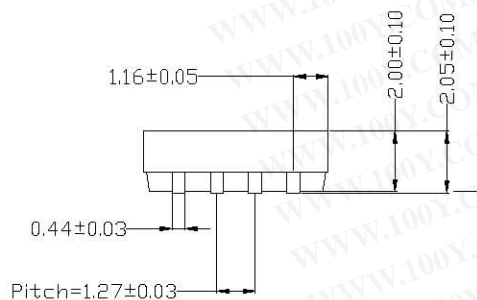


勝特力材料 886-3-5753170
 勝特力电子(上海) 86-21-34970699
 勝特力电子(深圳) 86-755-83298787
[Http://www.100y.com.tw](http://www.100y.com.tw)

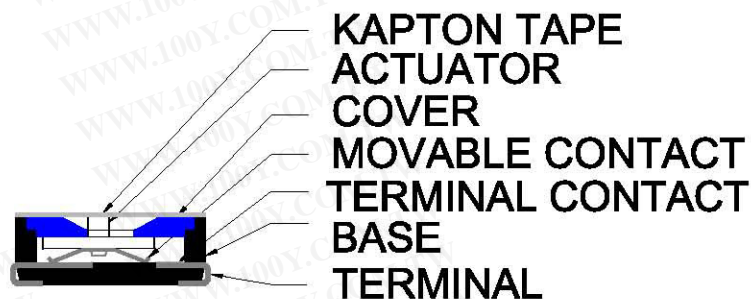
MATERIALS:

RoHS Compliant

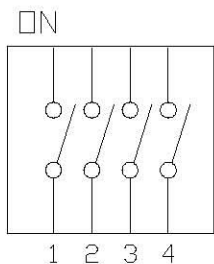
PART	MATERIAL	FINISH
COVER	Thermoplastic	Black
BASE	Thermoplastic	Black
ACTUATOR	Thermoplastic	White
TERMINAL CONTACT	Copper Alloy	Gold Plated
MOVABLE CONTACT	Copper Alloy	Gold Plated
TERMINAL	Copper Alloy	Gold Plated
TAPE	Polyimide Film	Amber



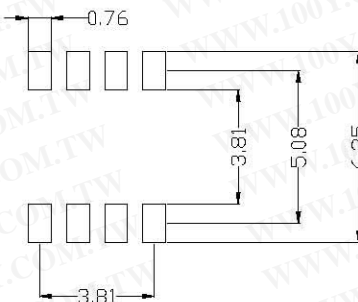
STRUCTURE:



WIRING DIAGRAM



SMD SOLDERING PAD



APPROVED BY	David Wu	DESIGNED BY	Zhan	SCALE	2:1	TOLERANCE	0.1~1.0 ±0.05 1.0~5.0 ±0.1	5.0~10.0 ±0.2 10.0~20.0 ±0.3	DRAWING NO.
CHECKED BY	Chris Lee	DRAWIN BY	Chen	UNIT	mm	DATE	2009.07.06		