



CIRCUIT BREAKER 400V 10KA, 2-POLE, C,
40A, D=70MM

Similar to image

勝特力材料 886-3-5753170
 勝特力电子(上海) 86-21-34970699
 勝特力电子(深圳) 86-755-83298787
[Http://www.100y.com.tw](http://www.100y.com.tw)

Technical data:

Overvoltage class		3
type of voltage		AC/DC
Tripping characteristic class		C
Degree of pollution		3
Mounting depth	mm	70
Energy limiting class		3
Number of poles		2
Number of pitch units for width		2
Product function / n-switching		No
Supply voltage frequency / rated value	Hz	50
Switching capacity current / in accordance with IEC 60947-2 / rated value	kA	15
Breaking capacity current / acc. to EN 60898 / rated value	kA	10
Supply voltage / for AC / rated value	V	400
Current / for AC / rated value	A	40
Protection class IP		IP20, with connected conductors
Product extension / can be installed / supplementary device		Yes
power loss		-

Operational voltage Um	-	-
rated current In	-	-
Rated make-break capacity Icn	-	-
Rated service short-circuit breaking capacity Ics	-	-
Rated ultimate short-circuit breaking capacity Icu	-	-
Tripping characteristics Number	-	-
Tripping characteristic/-class Conventional tripping current I2, (x In)	-	-
rated current In IEC, DIN/VDE	-	-
Tripping characteristic/-class Test current I4, hold (x In)	-	-
rated current In / IEC, DIN/VDE		
• at 30 Cel	A	40
• at 40 Cel	A	37.6
• at 45 Cel	A	36.4
• at 50 Cel	A	34.8
• at 55 Cel	A	32.4
• at 60 Cel	A	32.4
Resistance against shock / according to IEC 60068-2-27		150m/s ² at 11ms half-sine

Certificates/approvals:

General Product Approval

Declaration of Conformity



[IMQ](#)

[ROSTEST](#)



[Manufacturer](#)

Shipping Approval

other



[other](#)

Further information:

Information- and Downloadcenter (Catalogs, Brochures,...)

<http://www.siemens.com/lowvoltage/catalogs>

Industry Mall (Online ordering system)

<http://www.siemens.com/lowvoltage/mall>

Service&Support (Manuals, Certificates, Characteristics, FAQs,...)

<http://support.automation.siemens.com/WW/view/en/5SY4240-7/all>

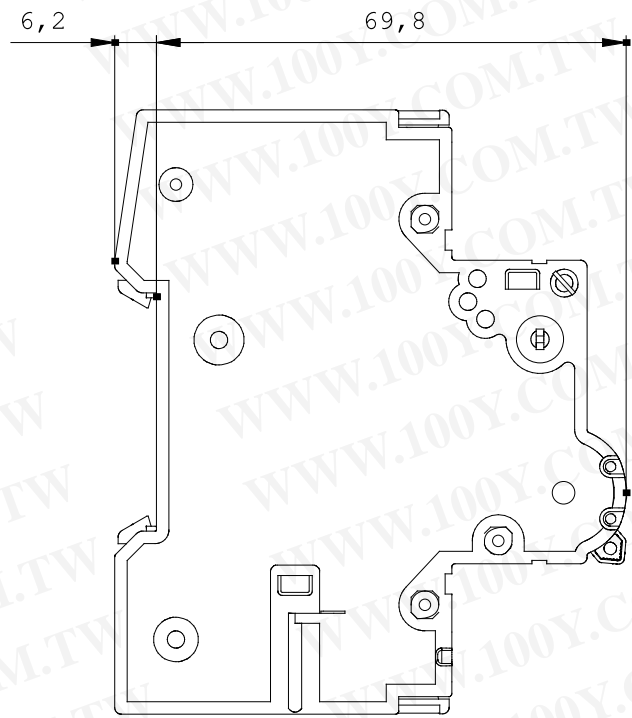
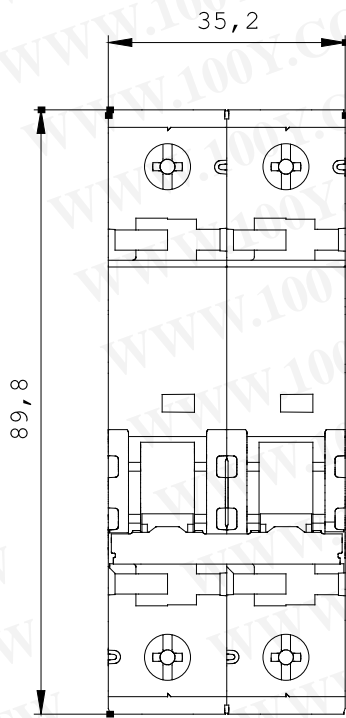
Image database (product images, 2D dimension drawings, 3D models, device circuit diagrams, ...)

http://www.automation.siemens.com/bilddb/cax_en.aspx?mlfb=5SY4240-7

CAX-Online-Generator

<http://www.siemens.com/cax>

勝特力材料 886-3-5753170
 勝特力电子(上海) 86-21-34970699
 勝特力电子(深圳) 86-755-83298787
[Http://www.100y.com.tw](http://www.100y.com.tw)



last change:

Nov 3, 2011

勝特力材料 886-3-5753170
 勝特力电子(上海) 86-21-34970699
 勝特力电子(深圳) 86-755-83298787
[Http://www.100y.com.tw](http://www.100y.com.tw)