



22MM METAL ROUND ACTUATOR: SELECTOR SWITCH  
 LONG HANDLE MOMENTARY CONTACT TYPE 3 SWITCH  
 POSITIONS I-O-II NON-ILLUMINATED WITH HOLDER  
 BLACK SOLVENT-RESISTANT

Actuator:		
Design of the operating mechanism		selector switch with 3 switch positions, long handle
Shape / of the activation element		round
Manner of function / of the activation element		No
<ul style="list-style-type: none"> <li>• arresting lock</li> <li>• tentative</li> </ul>		Yes
Outer diameter / of the activation element	mm	28.5
Material / of the activation element		plastic

Button:		
Color / of the button		black

Front ring:		
Material / of the front ring		metal
Color / of the front ring		silver

General technical details:		
Design of the product		with 3 switch positions, long handle
Number of control points		1
Number of indicator lights / installable		0
Number of switching positions		3

<b>Product extension / optional / fluorescent materials</b>		No
<b>Product function / emergency-OFF function</b>		No
<b>Type of unlocking device</b>		without
<b>Resistance against shock</b> • for devices without incandescent lamp / according to IEC 60068-2-27		<= 50g
<b>Operating cycles / maximum</b>	1/h	1,000
<b>Resistance against vibration / according to IEC 60068-2-6</b>		20 ... 200 Hz: 5g
<b>Mechanical operating cycles as operating time / typical</b>		300,000
<b>Item designation</b> • according to DIN 40719 extendable after IEC 204-2 / according to IEC 750 • according to DIN EN 61346-2		S S

#### Auxiliary Contacts:

<b>Number of NC contacts / for auxiliary contact</b>		0
<b>Number of NO contacts / for auxiliary contact</b>		0
<b>Number of change-over switches / for auxiliary contact</b>		0

#### Installation/mounting/dimensions:

<b>Product component / front ring</b>		Yes
<b>Material / of the housing</b>		metal
<b>Type of fixing/fixation</b>		front mounting
<b>Installation width</b>	mm	22
<b>Shape / of the installation hole</b>		round
<b>Mounting diameter</b>	mm	22
<b>Height</b>	mm	30
<b>Width</b>	mm	30
<b>Depth</b>	mm	53
<b>Tightening torque / of the screws in the holder / maximum</b>	N-m	1

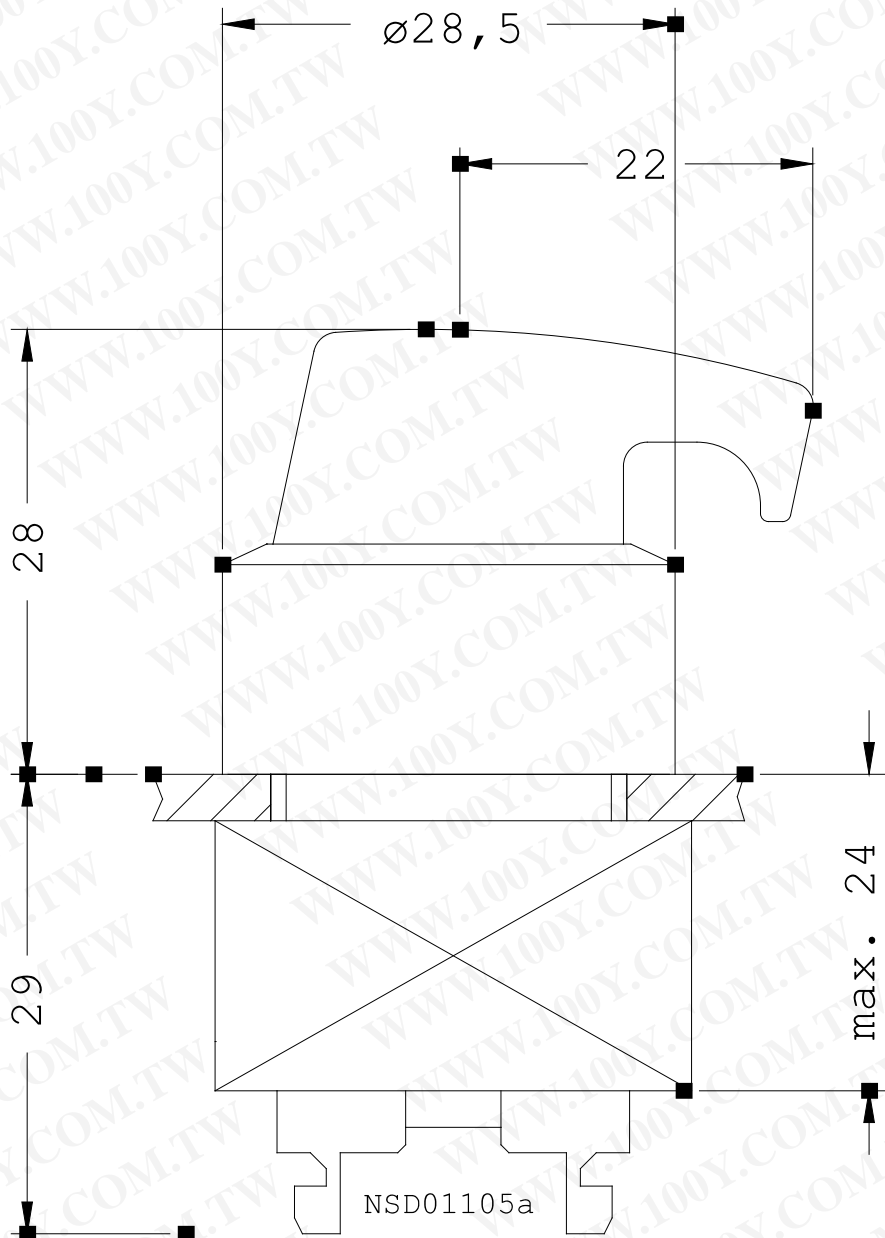
#### Ambient conditions:

<b>Ambient temperature</b> • during the operating phase • during storage	°C	70 ... -25 -40 ... 80
<b>Protection class IP</b>		IP67
<b>Climatic class / according to DIN EN ISO 6270-2</b>		KTW24

#### Further information:

Information- and Downloadcenter (Catalogs, Brochures,...)

勝特力材料 886-3-5753170  
 勝特力电子(上海) 86-21-34970699  
 勝特力电子(深圳) 86-755-83298787  
[Http://www.100y.com.tw](http://www.100y.com.tw)



last change:

Aug 16, 2010

勝特力材料 886-3-5753170  
 勝特力电子(上海) 86-21-34970699  
 勝特力电子(深圳) 86-755-83298787  
[Http://www.100y.com.tw](http://www.100y.com.tw)