

Circuit Protector

회로 보호용 차단기

勝特力材料 886-3-5753170
勝特力电子(上海) 86-21-34970699
勝特力电子(深圳) 86-755-83298787
[Http://www.100y.com.tw](http://www.100y.com.tw)

Circuit Protector Product List	110
Structure / Principle of Operation / Characteristics Curves	111 ~ 112
Load Applications / Ambient Temp. / Interrupting Efficiency by Mounting Angle	113
Internal Circuit / Selection by Protection Characteristics	114 ~ 115
Circuit Protector	116 ~ 120
Details	121 ~ 125
CP HOLDER	126 ~ 127
Order Code	128

BEST QUALITY & BEST PRICE




Circuit Protector

Product List


Circuit Protector / SCP Series

SCP5 □ B



BOLT TYPE
Mountable to Busbar, Pressed terminal and other various circuits.

SCP5 □ T




TERMINAL TYPE
Connectable to Busbar, Pressed terminals by Screws.

SCP10 □ BR



RING PLUG-IN TYPE
Applicable to any equipments, input, output and power source and any circuits.

SCP3 □ P




PLUG TYPE
Suitable for producer of power source with plug type structure.

SCP3 □ S




SIDE-SCREW TYPE
Applicable to Pressed screw terminal.

SCP3 □ PA




MINI PLUG TYPE
Suitable for small sized equipment and protector of power source circuit.

SCP3 □ PS



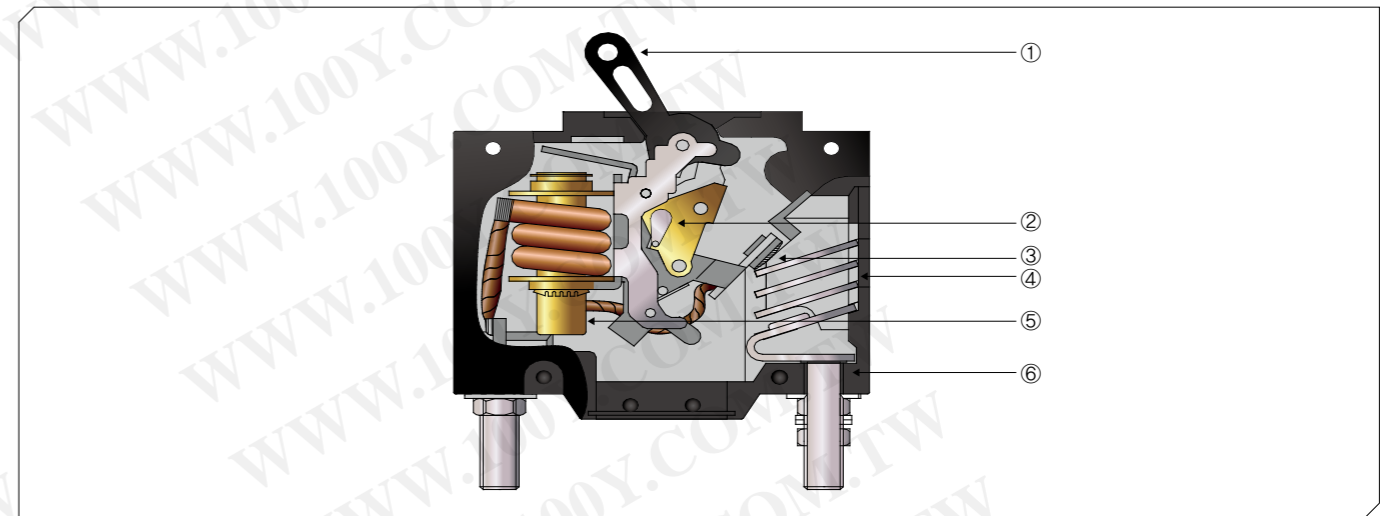
MINI SIDE-SCREW TYPE
For small sized equipment and suitable for pressed terminal and protector of power source circuit.

SCP5 □ D



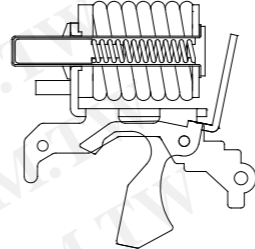
DIN-RAIL TYPE
Available to mount by DIN Rail, Applicable to Automatic Controller.

Structure

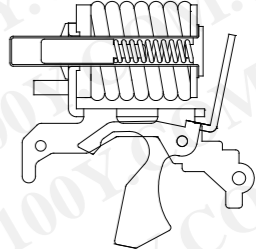


- ① Handle
It make the contact to open and close. When interrupting overcurrent, the handle is positioned at "OFF" according to the standard reset method.
- ② ON-OFF Mechanism
Consisting of reasonably designed link, latch and interrupting spring, it provides smooth of-off operation and long life span.
- ③ Contact
Contact is made of silver alloy with outstanding conductivity, oxidation resistance and arc resistance.
- ④ De-arcng Mechanism
This mechanism interrupts short circuit current by distributing and cooling down the arc that has taken place between the contacts.
- ⑤ Magnetic Tripping Mechanism
It detects overcurrent and short circuit current, and opens the circuit.
- ⑥ Molded Case
The case is made of thermosetting resin with excellent insulation, arc resistance and wear resistance.

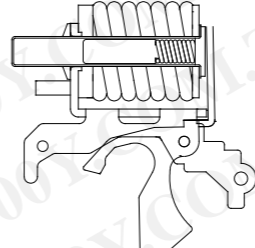
Principle of Operation



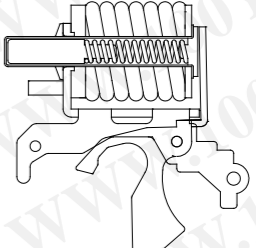
Normal Load
Under the normal load condition, the plunger and the armature are positioned as shown in the picture.



Initial State of Overload
If overcurrent flows, the plunger is attracted by magnetism and begins to move toward the pole, overcoming the resistance of the plunger spring and the silicon oil.



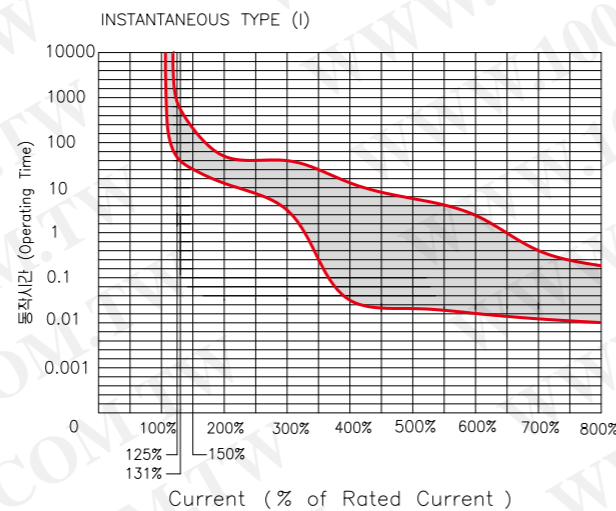
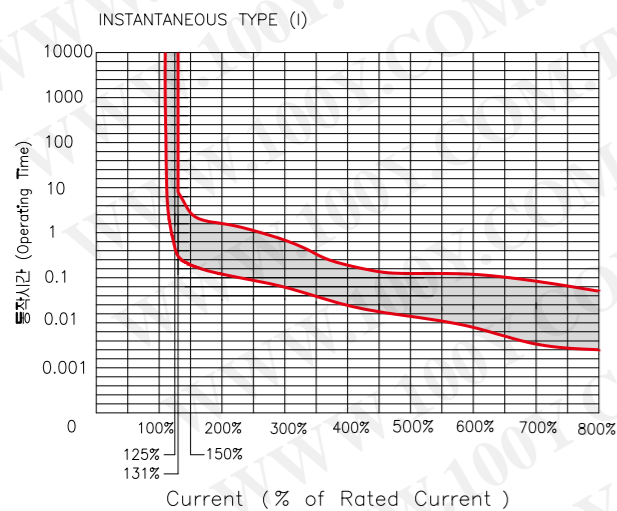
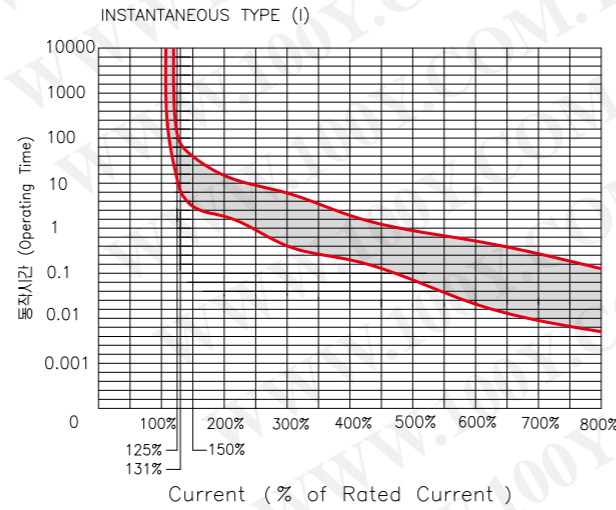
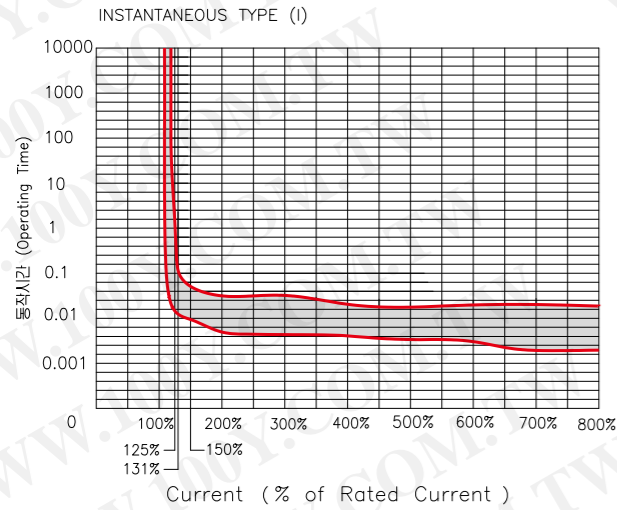
Overload Interrupted
When the plunger reached the pole, the intensity of magnetism increases rapidly and attracts the armature which attracts the latch and opens the circuit.



Short Circuit Interrupted
In case short circuit current flows through the coil, even before the plunger moves, it creates a powerful magnetism which attracts the armature momentarily and interrupts short circuit current.

Characteristics Curves

Circuit Protector / SCP Series



Load Applications by Protection Characteristics Type

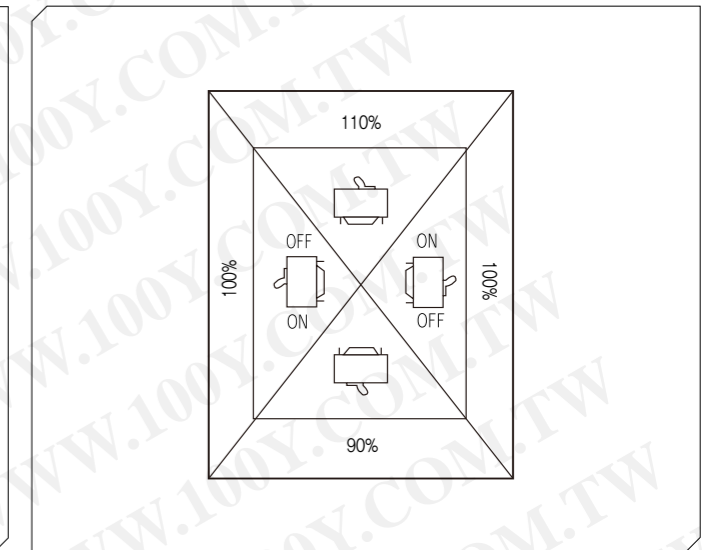
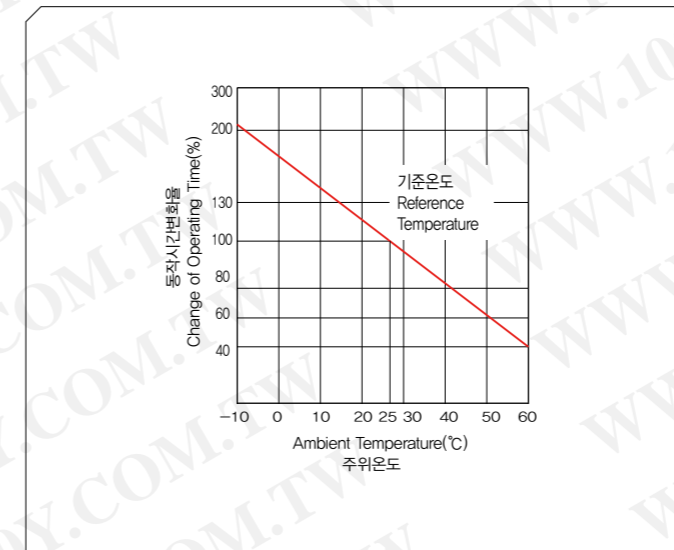
Characteristics	Features of Applied Loads	Suitable Loads
Instantaneous (I)	Equipment that takes very quick interruption due to its low overload resistance	Solid State circuit, SCR, TRIAC, etc.
High (H)	Equipment with low starting in-rush current that requires rapid interruption	Solid State circuit, etc.
Middle (M)	Equipment with in-rush current of 5 or 6 times that needs protection in a wide region	General Sequence circuit, etc.
Low (L)	Equipment whose starting inrush current is very high	Solenoid Valve Heater, Motor

Operating time depending on the Ambient Temperature

The operating time is based on the reference temperature of 25°C. The operating time at a different ambient temperature should be compensated for by use of the following compensation curve. But the instantaneous type is not influenced by the ambient temperature.

Interrupting efficiency depending on the Mounting Angle

The operating current varies in accordance with the mounting angle. Use the circuit breaker after compensating the rated current for its mounting angle.



Tripping Time

TYPE	Operation Time(Sec.) according to Overload(%)								
	100%	125%	130%	150%	200%	300%	400%	600%	800%
Instant (I)	NO TRIP	0.017~1.0	0.012~0.5	0.01~0.1	0.007~0.065	0.0065~0.05	0.006~0.032	0.005~0.027	0.003~0.025
High (H)	NO TRIP	0.75~12	0.5~9	0.32~4.5	0.15~0.2	0.08~0.8	0.02~0.25	0.009~0.12	0.004~0.07
Middle (M)	NO TRIP	15~120	9~90	4.5~60	2.5~20	0.6~8.0	0.3~2.5	0.035~0.75	0.007~0.15
Low (L)	NO TRIP	70~900	60~750	40~260	15~70	5~60	0.05~15	0.02~4.0	0.01~0.25

SCP-P, PA type : Ambient Temperature(25°C)

Warning for use of circuit breaker for equipment

- The circuit breaker for equipment protection should be installed with the correct mounting angle such that pushing the handle upward turns on the breaker. It should be tightly fixed to the panel by screws. Take care about that a different mounting angle causes the change of interrupting performance.
- The depth of a screw taken by the circuit breaker is 5mm. Select the length of the screws with this depth and the thickness of the panel.
- With regard to the circuit breaker with a low rated current, verify the specification and impedance of the coil and check the operating voltage. If you apply the rated current to the circuit breaker with a low rated current, it may cause voltage drop up to 5 volt.
- The instantaneous type should be used where there is not in-rush current. In case it is inevitable to use an instantaneous type in such a situation, use a circuit breaker whose rated current is more than twice of the normal operating current.
- When you solder a wire to the terminal, solder it within 5seconds using a soldering iron of 40W or smaller as far as auxiliary and alarm contacts are concerned.
- For operating environment, select a location with as small amount of dust and as good ventilation as possible. Wires with sufficient current capacity should be tightly connected to the terminal.

Internal Circuit

Sort	Type	Inner Circuit	Circuit Application	Description
Internal Circuit	Series Trip (S)			As the most general application, the circuit provides the on-off switch function as well as overcurrent and short circuit protection.
	Parallel Trip (P)			It opens and closes two loads at the same time. If there is a defect on load A, the circuit breaker interrupts the two loads simultaneously.
	Switch only (O)			It has no overcurrent tripping function but the on-off switch capability only.
	Relay Trip (R)			The main contact circuit and the over-current detection circuit are internally separated. The circuit breaker detects overcurrent of load B and trips load A accordingly.
Accessory	Auxiliary Switch (W)			The auxiliary switch is turned on and off, linked with the main contact of the circuit breaker and can be used to display the state of the breaker remote by a lamp or another device.
	Alarm Switch (A)			Alarm switch changes the state only when the main contact interrupts over-current and resets when the handle is turned on. By means of a lamp or buzzer, the signal can be utilized as the source of an overcurrent alarm.
	Voltage Trip (V)			The contact circuit and the overcurrent detection circuit are internally separated. When the rated voltage is applied to load B, the breaker trips the circuit of load A. In case voltage trip of 1Pole, it does not have intrrupte function for overcurrent.

Selection by Protection Characteristics

Classification	Applied Circuits			Warning for product selection	Performance Characteristics of applied products			
	Example	Example	Features of Circuits		Instant	High	Middle	Low
Overload resistance of the load is relatively large.	In case overcurrent is much higher than the rated current flows when you are using in normal condition.	Motor Circuit	Starting current about 5 to 7 times of the rated value. Starting time depends on the mechanical inertia of the load. Burn-out may occur at 120~130% of the rated value.					●
		Solenoid Circuit	Starting current is much more than 10times of the rated value. In a solenoid, inrush current may continue very long.		It is necessary to understand the overload resistance of the load (de-arcng characteristics), the ratio of the in-rugh current to the operating current and its lasting time. Then a CBE' s with a coordinating characteristics should be selected.			●
	Trans Circuit	Starting excitation current much more than 10times of the rated value.					●	●
Overload resistance of the load is small.	In case overcurrent is not too much higher.	Sequence control circuits by relay, etc.			●	●	●	
		SCR Triac and semi-conductor	With low overload resistance, the load will be damaged unless overcurrent is tripped in a short period of time.		Since it is difficult to protect a semiconductor element from 10times of the average current, the CBR' s are primarily for protection from overload. In combination with a semiconductor protection fuse, the element can be protected perfectly.	●	●	

Check Point for Select the Product

Circuit Breaker Applied Circuit	Rated Voltage Frequency	Rated Current	Number of Poles	Operating Characteristics	Interrupting Capacity	Mounting Method Accessories
Voltage, Frequency	●					
Circuit Method			●			
Max. Load Current		●				
Type, Character of the Load		●		●		
Object of Protection		●		●		
Short Circuit Current					●	
Miscellaneous						●

Circuit Protector

Mini Plug Type
SCP3□ PA -Series
SCP3□ PS -Series



Ampere Frame			30			30		
Model			SCP31PA	SCP32PA	SCP33PA	SCP31PS	SCP32PS	SCP33PS
Rating	Pole		1	2	3	1	2	3
	Rated Current(In) (A)		0.1,0.3,0.5,1,2,3,5,7,10, 15,20,25,30,(34)					
	Rated Voltage(Ue)	AC(V)	250		380		250	
DC(V)		65			65			
Operating Characteristics			Instant(I), High(H), Middle(M), Low(L)					
Rated Ultimate Breaking Capacity(kA)sym KSC8321, IEC60934 UL1077	AC	250V	1kA					
	DC	65V	1.5kA					
Number of operating cycle	Without Current(times)		4,000					
	With Current(times)		6,000					
Dimension(mm)	a		16.5	32.5	49	16.5	32.5	49
	b		42			42		
	c		42			42		
	d		14.5			14.5		
Weight(kg)			0.07	0.16	0.26	0.07	0.16	0.26
Automatic tripping device			HM					
Connections			Plug type			Side-Screw type		
Internal Circuit	Series Trip	S	O			O		
	Parallel	P	—			—		
	Switch Only	O	O			O		
	Relay Trip	R	—			—		
Accessorie	Aux. Switch	W	O			O		
	Alarm Switch	A	O			O		
	Voltage Trip	V	O(2P)			O(2P)		
Aux. Contact Capacity			AC250 3A					
Approval Standard	Type Approval(KOREA)		O			O		
	UL		O	—		*O	—	

1) *** means in progress 2) Rated Current in () is optional

Circuit Protector

Standard Plug Type
SCP3□ P -Series
SCP3□ S -Series



Ampere Frame			30			30		
Model			SCP31P	SCP32P	SCP33P	SCP31S	SCP32S	SCP33S
Rating	Pole		1	2	3	1	2	3
	Rated Current(In) (A)		0.1,0.3,0.5,1,2,3,5,7,10, 15,20,25,30,(34),(40),(45)					
	Rated Voltage(Ue)	AC(V)	250		380		250	
DC(V)		65			65			
Operating Characteristics			Instant(I), High(H), Middle(M), Low(L)					
Rated Ultimate Breaking Capacity(kA)sym KSC8321, IEC60934 UL1077	AC	250V	1kA					
	DC	65V	1.5kA					
Number of operating cycle	Without Current(times)		4,000					
	With Current(times)		6,000					
Dimension(mm)	a		19	38	57	19	38	57
	b		53			53		
	c		40			40		
	d		17			17		
Weight(kg)			0.08	0.18	0.3	0.08	0.18	0.3
Automatic tripping device			Hydraulic-Magnetic(HM)					
Connections			Plug type			Side-Screw type		
Internal Circuit	Series Trip	S	O			O		
	Parallel	P	O			O		
	Switch Only	O	O			O		
	Relay Trip	R	O			O		
Accessorie	Aux. Switch	W	O			O		
	Alarm Switch	A	—			—		
	Voltage Trip	V	—			—		
Aux. Contact Capacity			AC250 3A					
Approval Standard	Type Approval(KOREA)		O			O		
	UL		O	—		—	—	

1) *** means in progress 2) Rated Current in () is optional

Circuit Protector

Standard Bolt Type
SCP5□ B -Series
SCP5□ T -Series



Circuit Protector

SCP10□ BR -Series



勝特力材料 886-3-5753170
勝特力电子(上海) 86-21-34970699
勝特力电子(深圳) 86-755-83298787
[Http://www.100y.com.tw](http://www.100y.com.tw)

Ampere Frame			50			50		
Model			SCP51B	SCP52B	SCP53B	SCP51T	SCP52T	SCP53T
Rating	Pole		1	2	3	1	2	3
	Rated Current(In) (A)		0,1,0,3,0,5,1,2,3,5,7,10,15,20,25,30,40,50,60,75,100					
	Rated Voltage(Ue)	AC(V)	250		380		250	
DC(V)		80			80			
Operating Characteristics			Instant(I), High(H), Middle(M), Low(L)					
Rated Ultimate Breaking Capacity(kA)sym KSC8321, IEC60934 UL1077	AC	250V				1,5kA		
	DC	80V				5kA		
Number of operating cycle	Without Current(times)		4,000					
	With Current(times)		6,000					
Dimension(mm)	a		19	38	57	19	38	57
	b		63,5			63,5		
	c		47			47		
	d		21			21		
Weight(kg)			0.1	0.2	0.3	0.1	0.2	0.3
Automatic tripping device			HM					
Connections			Bolt on type			Nut Terminal type		
Internal Circuit	Series Trip	S	O			O		
	Parallel	P	O			O		
	Switch Only	O	O			O		
	Relay Trip	R	O			O		
Accessorie	Aux. Switch	W	O			O		
	Alarm Switch	A	O			O		
	Voltage Trip	V	O			O		
Aux. Contact Capacity			AC250 3A					
Approval Standard	Type Approval(KOREA)		O			O		
	UL		O			-		

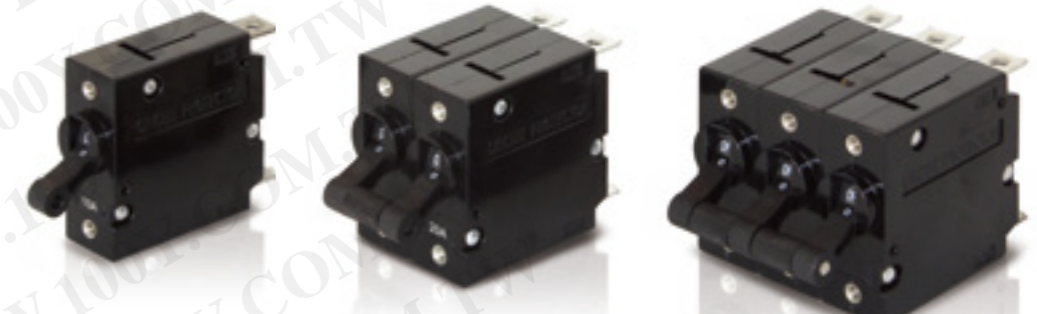
Ampere Frame			100		
Model			SCP101BR	SCP102BR	SCP103BR
Rating	Pole		1	2	3
	Rated Current(In) (A)		0,1,0,3,0,5,1,2,3,5,7,10,15,20,25,30,40,50,60,75,100		
	Rated Voltage(Ue)	AC(V)	250		
DC(V)		80			
Operating Characteristics			Instant(I), High(H), Middle(M), Low(L)		
Rated Ultimate Breaking Capacity(kA)sym KSC8321, IEC60934 UL1077	AC	250V	1,5kA		
	DC	80V	5kA		
Number of operating cycle	Without Current(times)		4,000		
	With Current(times)		6,000		
Dimension(mm)	a		19	38	57
	b		63,5		
	c		47		
	d		21		
Weight(kg)			0.14	0.28	0.42
Automatic tripping device			HM		
Connections			Ring Plug in type		
Internal Circuit	Series Trip	S	O		
	Parallel	P	O		
	Switch Only	O	O		
	Relay Trip	R	O		
Accessorie	Aux. Switch	W	O		
	Alarm Switch	A	O		
	Voltage Trip	V	O		
Aux. Contact Capacity			AC250 3A		
Approval Standard	Type Approval(KOREA)		-		
	UL		-		

Circuit Protector

DIN-rail Type
SCP5□ D-Series



SCP – PA
SCP – PS

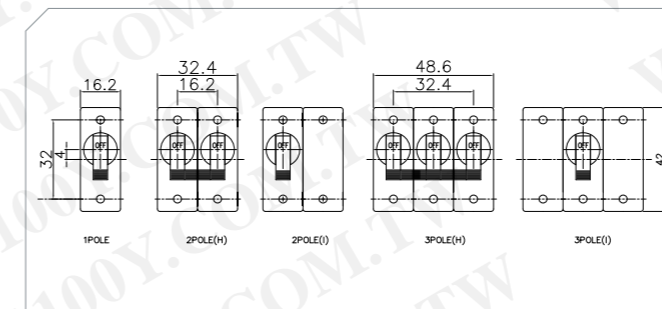


Ampere Frame		50AF		
Model		SCP51D	SCP52D	SCP53D
Pole		1	2	3
Rating	Rated Current(In) (A)	1,2,3,5,7,10,15,20,25,30,34,40,45,50		
	Rated Voltage(Ue)	AC(V)	220	
		DC(V)	65	
Operating Characteristics		Instant(I), High(H), Middle(M), Low(L)		
Rated Ultimate Breaking Capacity(kA)sym KSC8321, IEC60934 UL1077	AC	220V	1.5kA	
	DC	65V	1.0kA	
Number of operating cycle	Without Current(times)	4,000		
	With Current(times)	6,000		
Dimension(mm)	a	19	38	57
	b	67		
	c	65		
	d	71		
Weight(kg)		0.12	0.24	0.36
Automatic tripping device		HM		
Connections		Secrew, DIN-rail		
Internal Circuit	Series Trip	S	O	
	Parallel	P	O	
	Switch Only	O	O	
	Relay Trip	R	—	
Accessory	Aux. Switch	W	O	
	Alarm Switch	A	—	
	Voltage Trip	V	—	
Aux. Contact Capacity		AC250 3A		
Approval Standard	Type Approval(KOREA)	O		
	UL	—		

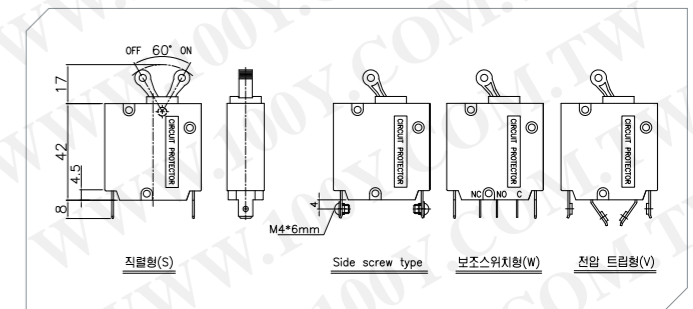
Specification

Model	SCP31PA, SCP31PS	SCP32PA, SCP32PS	SCP33PA, SCP33PS
Pole	1 Pole	2 Pole	3 Pole
Rated Voltage(V)	AC250V, AC220V(50/60Hz), DC65V		
Rated Current(A)	0.1, 0.2, 0.3, 0.5, 0.7, 10, 15, 20, 25, 30, 34		
Breaking Capacity(kA)	AC250V:1kA, AC220V:1kA, DC65V: 1.5kA		
Inner Circuit/Accessory	Series Trip(S), Switch Only(O), Aux. Switch(W), Voltage Trip(V), Alarm(A)		
Type of Delay	Instant(I), High(H), Middle(M), Low(L)		
Aux. Contact Capacity	AC250 3A		
Ambient Temperature	At Rated Current -40°C ~ 85°C		

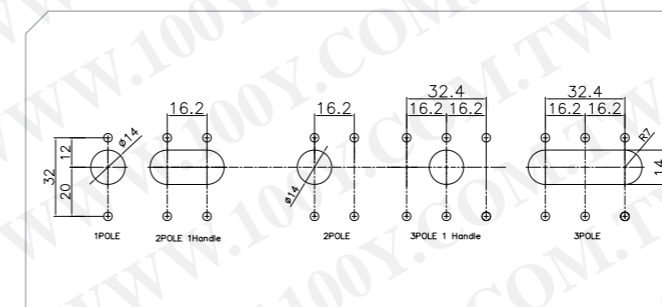
○ Dimension



○ Inner Circuit



○ Mounting Dimension



○ Features

- Various rated currents (0.1A~45A)
- Indicate ON-OFF with Toggle Lever
- Various optional functions
- Adoption of ARC GRID with High Breaking Capacity
- Plug, Side Screw Terminal type
- Available 1handle of 2Poles and 1handle of 3Poles

○ Applications

- Various Power Distribution Boards
- Telecommunication equipment
- UPS, Rectifier
- Inverter Welding Machines
- Machine Tools (Press, Discharger etc.)

SCP - P
SCP - S



SCP - B
SCP - T



勝特力材料 886-3-5753170
勝特力电子(上海) 86-21-34970699
勝特力电子(深圳) 86-755-83298787
Http://www.100y.com.tw

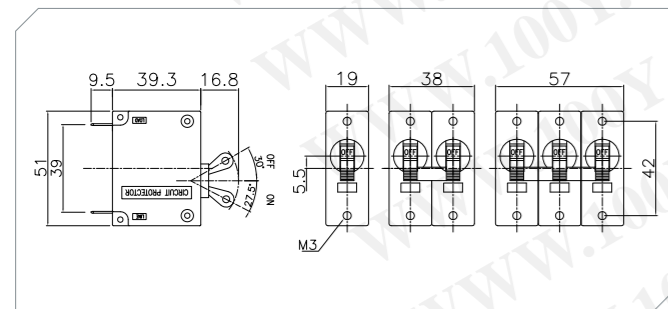
○ Specification

Model	SCP31P, SCP31S	SCP32P, SCP32S	SCP33P, SCP33S
Pole	1 Pole	2 Pole	3 Pole
Rated Voltage(V)	AC250V, AC220V(50/60Hz), DC65V		
Rated Current(A)	0.1, 0.2, 0.3, 0.5, 0.7, 10, 15, 20, 25, 30, 34, 40, 45		
Breaking Capacity(kA)	AC250V:1kA, AC220V:1kA, DC65V: 1.5kA		
Inner Circuit/Accessory	Series Trip(S), Switch Only(O), Aux. Switch(W), Voltage Trip(V), Alarm(A)		
Type of Delay	Instant(I), High(H), Middle(M), Low(L)		
Aux. Contact Capacity	AC250 3A		
Ambient Temperature	At Rated Current -40°C ~ 85°C		

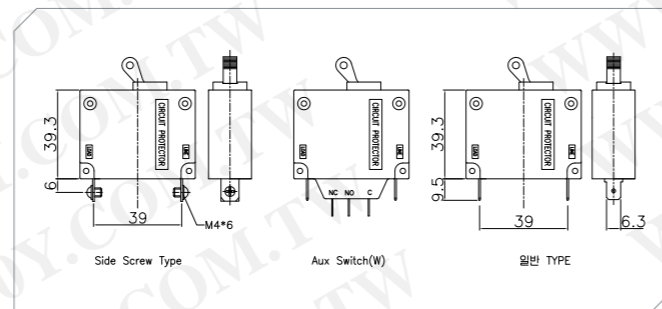
○ Specification

Model	SCP51B, SCP51T	SCP52B, SCP52T	SCP53B, SCP53T
Pole	1 Pole	2 Pole	3 Pole
Rated Voltage(V)	AC250V, AC220V(50/60Hz), DC80V		
Rated Current(A)	0.1, 0.2, 0.3, 0.5, 0.7, 10, 15, 20, 25, 30, 40, 45, 50, 60, 75, 100, (150, 200)		
Breaking Capacity(kA)	AC250V:1.5kA, AC220V:1.5kA, DC80V: 5kA		
Inner Circuit/Accessory	Series Trip(S), Switch Only(O), Aux. Switch(W), Voltage Trip(V), Alarm(A)		
Type of Delay	Instant(I), High(H), Middle(M), Low(L)		
Aux. Contact Capacity	AC250 3A		
Ambient Temperature	At Rated Current -40°C ~ 85°C		

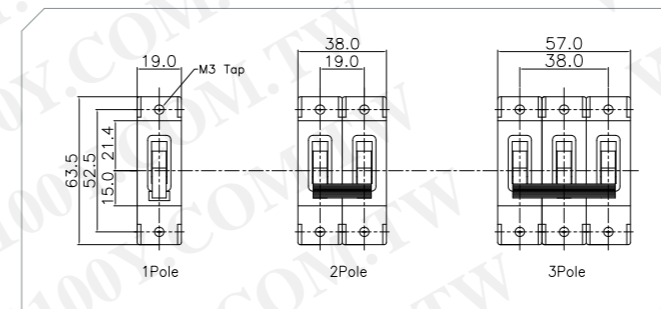
○ Dimension



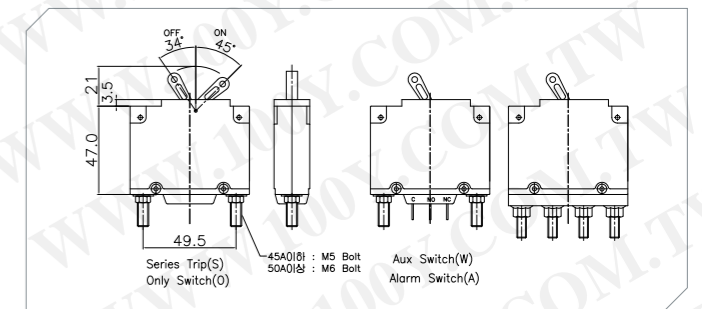
○ Inner Circuit



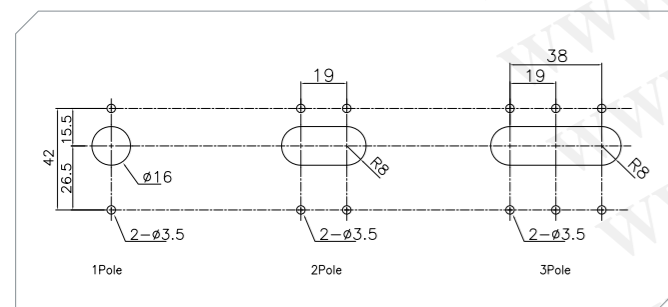
○ Dimension



○ Inner Circuit



○ Mounting Dimension



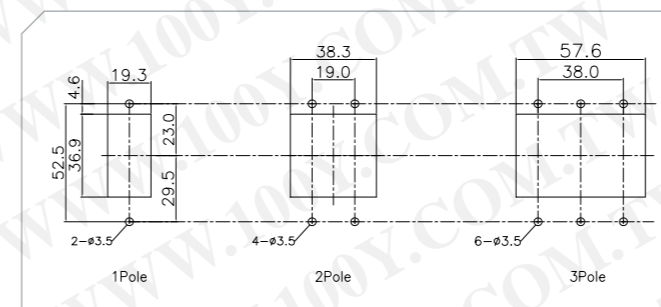
○ Features

- Various rated currents (0.1A~45A)
- Indicate ON-OFF with Toggle Lever
- Various optional functions
- Adoption of ARC GRID with High Breaking Capacity
- Plug, Side Screw Terminal type

○ Applications

- Various Power Distribution Boards
- Telecommunication equipment
- UPS, Rectifier
- Inverter Welding Machines
- Machine Tools (Press, Discharger etc.)

○ Mounting Dimension



○ Features

- Various rated currents (0.1A~45A)
- Indicate ON-OFF with Toggle Lever
- Various optional functions
- Adoption of ARC GRID with High Breaking Capacity
- Bolt, Terminal type

○ Applications

- Various Power Distribution Boards
- Telecommunication equipment
- UPS, Rectifier
- Inverter Welding Machines
- Machine Tools (Press, Discharger etc.)

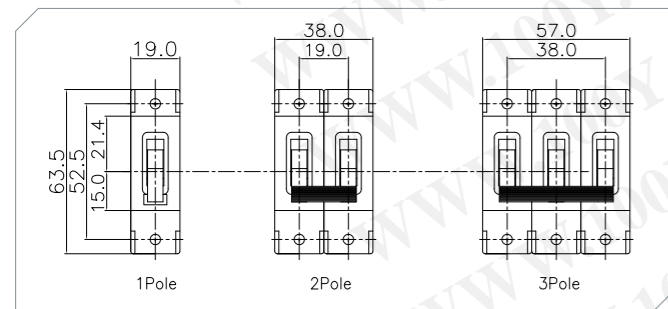
SCP – BR



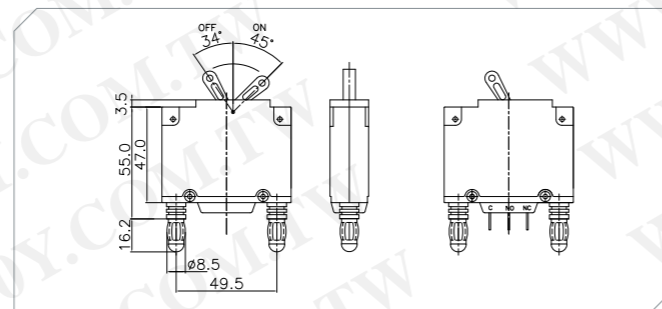
○ Specification

Model	SCP101BR	SCP102BR	SCP103BR
Pole	1 Pole	2 Pole	3 Pole
Rated Voltage(V)	AC250V, AC220V(50/60Hz), DC80V		
Rated Current(A)	0.1, 0.2, 0.3, 0.5, 0.7, 10, 15, 20, 25, 30, 40, 45, 50, 60, 75, 100, (150, 200)		
Breaking Capacity(kA)	AC250V:1.5kA, AC220V:1.5kA, DC80V: 5kA		
Inner Circuit/Accessory	Series Trip(S), Switch Only(O), Aux. Switch(W), Voltage Trip(V), Alarm(A)		
Type of Delay	Instant(I), High(H), Middle(M), Low(L)		
Aux. Contact Capacity	AC250 3A		
Ambient Temperature	At Rated Current -40°C ~ 85°C		

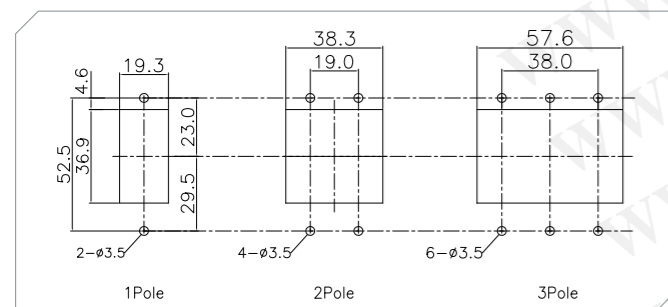
○ Dimension



○ Inner Circuit



○ Mounting Dimension



○ Features

- Various rated currents (0.1A~200A)
- Indicate ON-OFF with Toggle Lever
- Various optional functions
- Adoption of ARC GRID with High Breaking Capacity
- Ring Plug-in Terminal type

○ Applications

- Various Power Distribution Boards
- Telecommunication equipment
- UPS, Rectifier
- Inverter Welding Machines
- Machine Tools (Press, Discharger etc.)

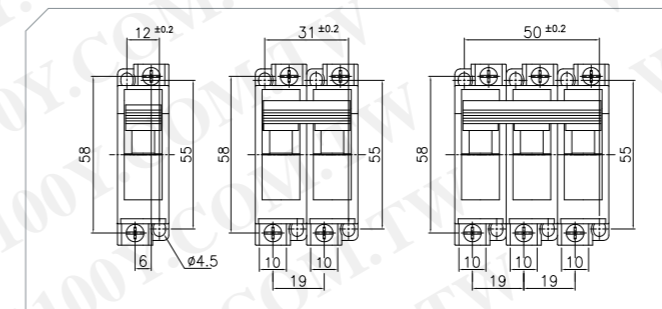
SCP – D



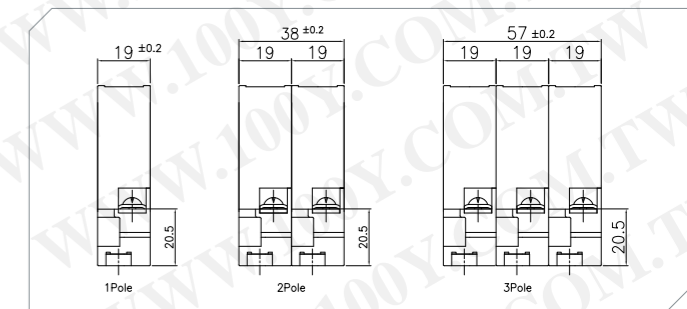
○ Specification

Model	SCP51D	SCP52D	SCP53D
Pole	1 Pole	2 Pole	3 Pole
Rated Voltage(V)	AC250V, AC220V(50/60Hz), DC65V		
Rated Current(A)	0.1, 0.2, 0.3, 0.5, 0.7, 10, 15, 20, 25, 30, 40, 45, 50		
Breaking Capacity(kA)	AC250V:1.5kA, AC220V:1.5kA, DC65V: 1.5kA		
Inner Circuit/Accessory	Series Trip(S), Switch Only(O), Aux. Switch(W)		
Type of Delay	Instant(I), High(H), Middle(M), Low(L)		
Aux. Contact Capacity	AC250 3A		
Ambient Temperature	At Rated Current -40°C ~ 85°C		

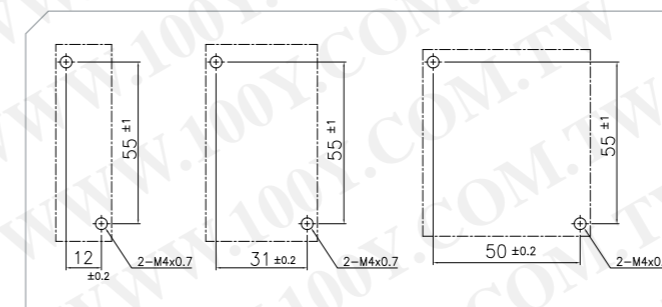
○ Dimension



○ Inner Circuit



○ Mounting Dimension



○ Features

- Various rated currents (1A~50A)
- DIN-Rail Mount type

○ Applications

- Various Power Distribution Boards
- Telecommunication equipment
- UPS, Rectifier
- Inverter Welding Machines
- Machine Tools (Press, Discharger etc.)

CP HOLDER



○ Specification

Model	CH100 10~	CH100 11~	CH100 12~	CH100 13~
Profile	Standard	B-TYPE	C-TYPE	D-TYPE
Rated Voltage(V)	AC250V, AC220V(50/60Hz), DC80V			
Rated Current(A)	0.1, 0.2, 0.3, 0.5, 0.7, 10, 15, 20, 25, 30, 40, 45, 50, 60, 75, 100, (150, 200)			
Inner Circuit / Accessory	Series Trip(S), Aux. Switch(W), Alarm Switch(A)			
Ambient Temperature Range	At Rated Current -40°C ~ 85°C			

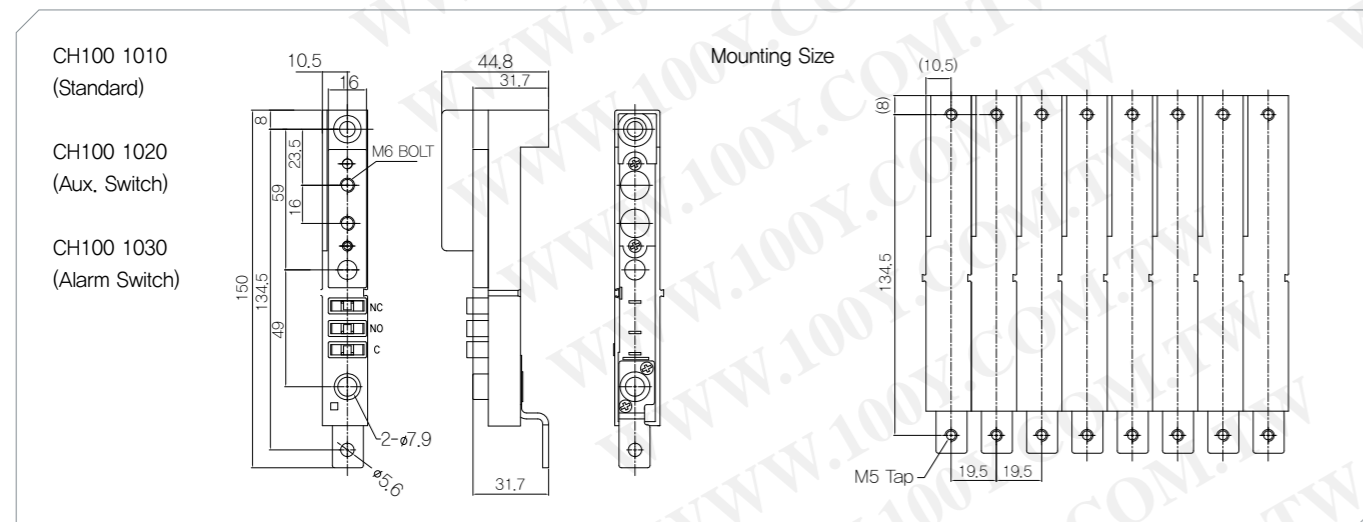
○ Features

- Various Size(4kinds)
- 0.1A~200A
- CP HOLDER Individual combination
- Aux. Switch and Alarm Switch function

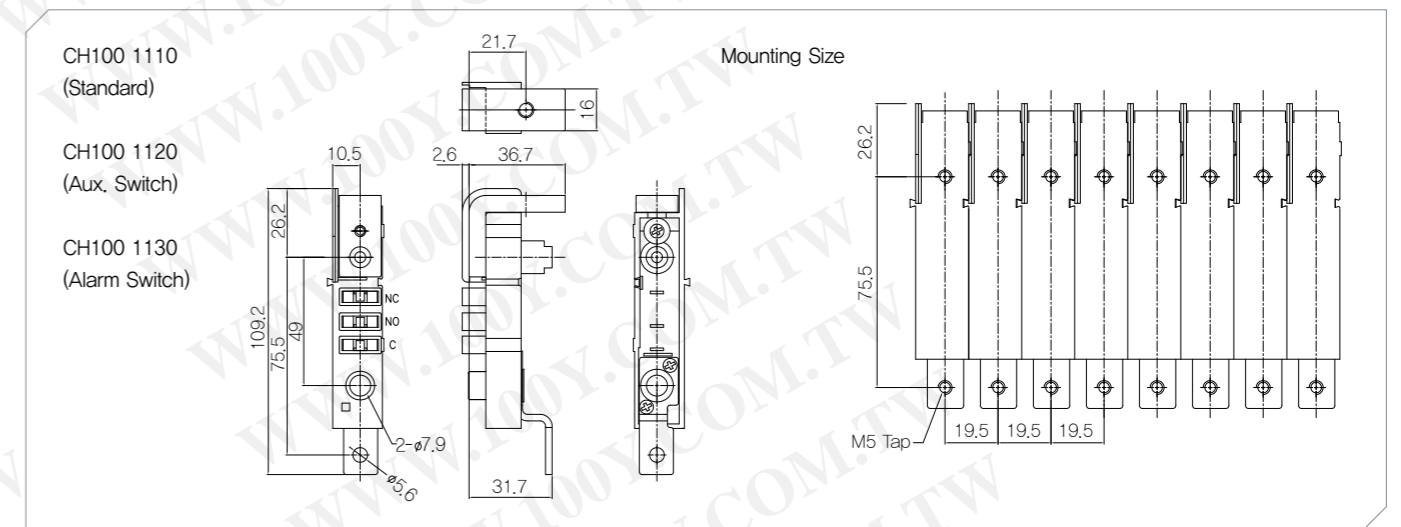
○ Applications

- Wire and Wireless Telecommunication equipment
- Electronic Exchanger
- Various Panel Board

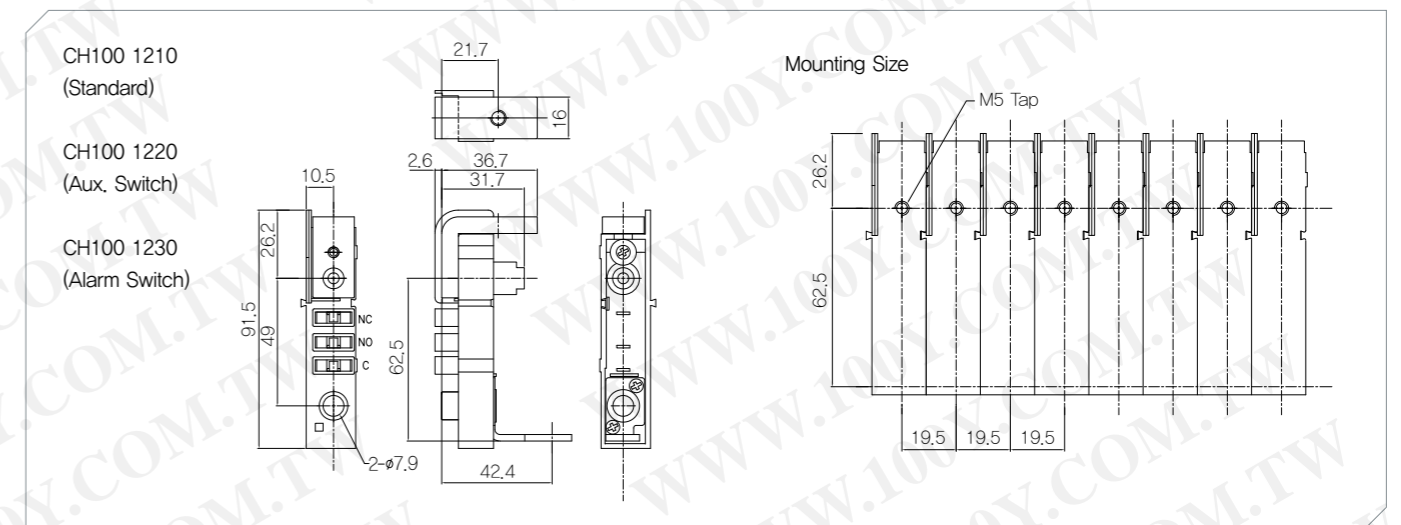
Dimension and Mounting in mm(Standard)



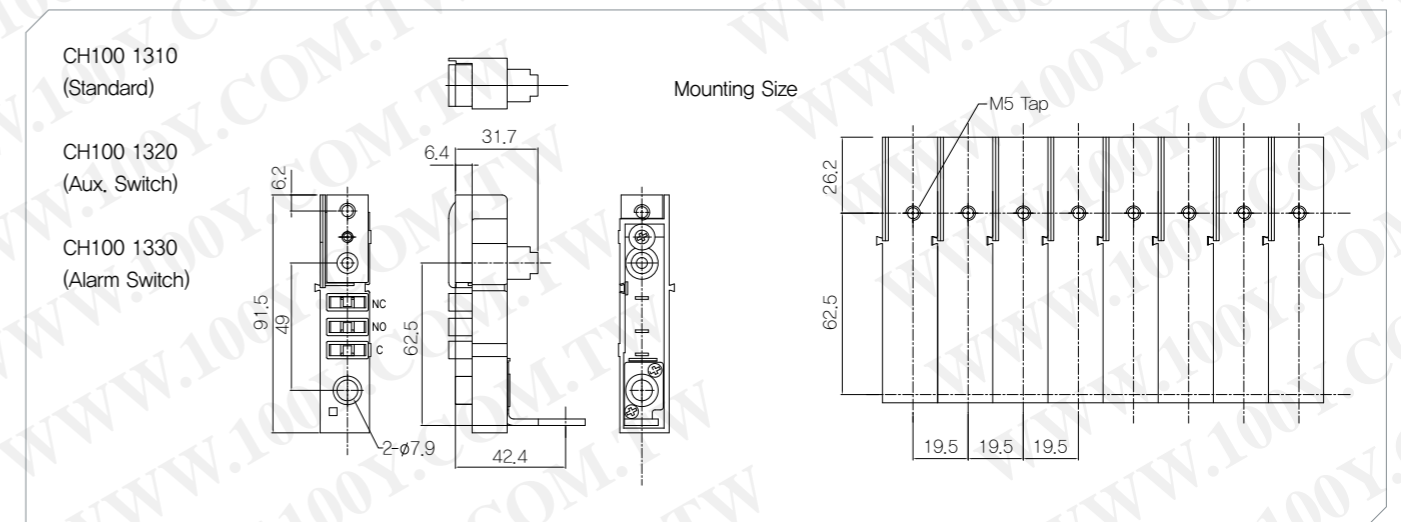
Dimension and Mounting in mm(B-TYPE)



Dimension and Mounting in mm(C-TYPE)

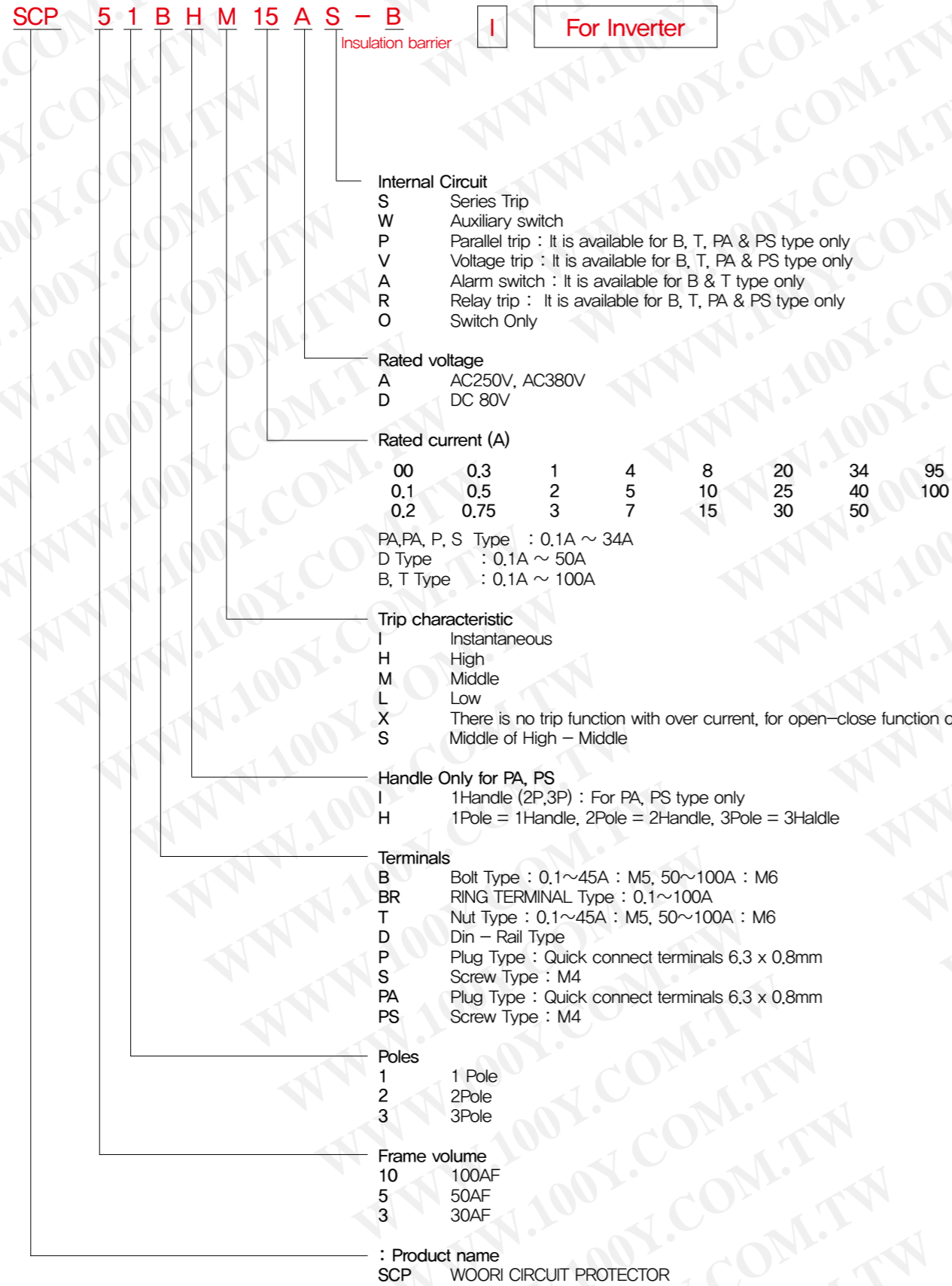


Dimension and Mounting in mm (D-TYPE)



SCP Order Code

MEMO



勝特力材料 886-3-5753170
 勝特力电子(上海) 86-21-34970699
 勝特力电子(深圳) 86-755-83298787
[Http://www.100y.com.tw](http://www.100y.com.tw)

Circuit Protector