



Feature

- LED illumination, Two color available
- Snap in Panel Mount installation
- Single pole/Single throw, Momentary

Applications

- Automotive Industry
- Office appliance
- Computer Products
- Communication Equipments

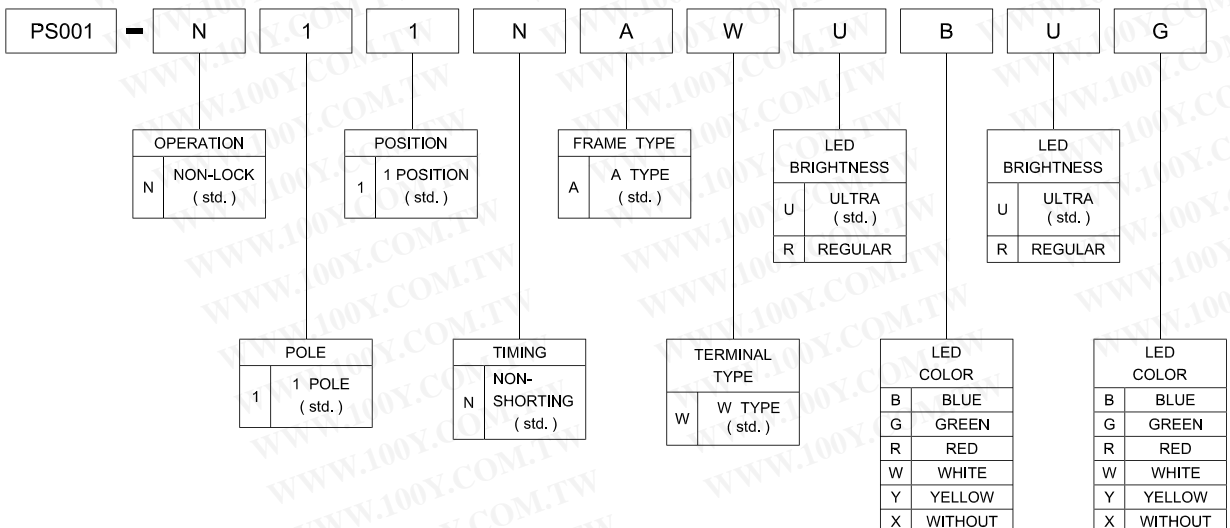
SPECIFICATIONS

SWITCH SPECIFICATIONS	
POLE - POSITION	Momentary Type , SPST with LED
CONTACT RATING	30 V DC , 0.1 A
CONTACT RESISTANCE	50 mΩ max . 1.5 V DC ; 100 mA , by Method of Voltage DROP
INSULATION RESISTANCE	100 MΩ min . 500 V DC
DIELECTRIC STRENGTH	Breakdown is not Allowable ; 500 V AC for 1 Minute
OPERATING FORCE	250 ± 100 gf
OPERATING LIFE	10,000 cycles
OPERATING TEMPERATURE RANGE	-40°C ~ 85°C
TOTAL TRAVEL	1.8 ± 0.3 mm

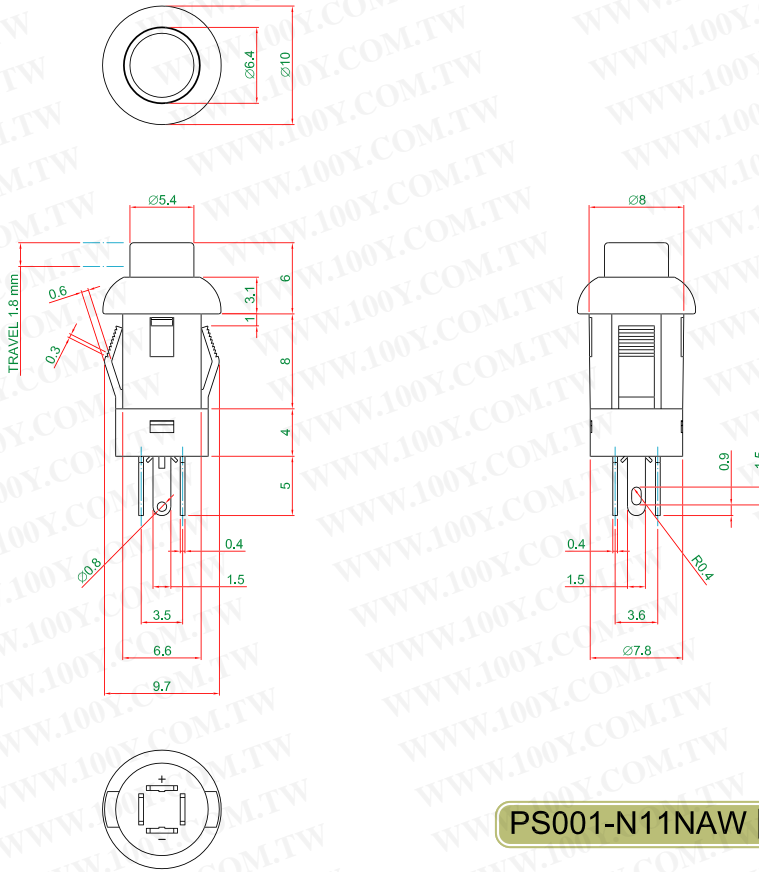
LED SPECIFICATIONS							
ATTENTION LEDs are Electrostatic Sensitive devices	Unit	Value / LED Color					
		Blue	Green	Red	White	Yellow	
FORWARD CURRENT	If	mA	30	30	30	30	
REVERSE VOLTAGE	Vr	V	5.0	5.0	5.0	5.0	
REVERSE CURRENT	Ir	μA	50	10	10	10	
FORWARD VOLTAGE@20mA	Vf	V	@4mA 2.5-3.5	1.7-2.6	2.0-2.5	3.3-3.8	2.2-2.7
LUMINOUS INTENSITY@20mA	Iv	mcd	@4mA 160	65-120	100	145	200

• Physical and electrical information of LED will be provided upon customer's request on switches.

HOW TO ORDER

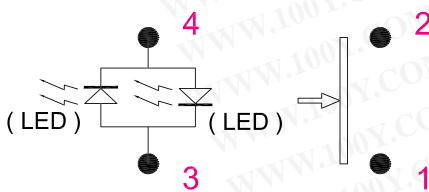


DIMENSION



PS001-N11NAW

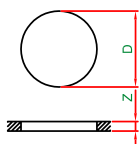
LED CIRCUIT DIAGRAM



MATERIAL

- COVER - PA + GF
- ACTUATOR - PC
- BASE FRAME - PA + GF
- TERMINAL - BRASS GOLD FLASH

PANEL CUT OUT

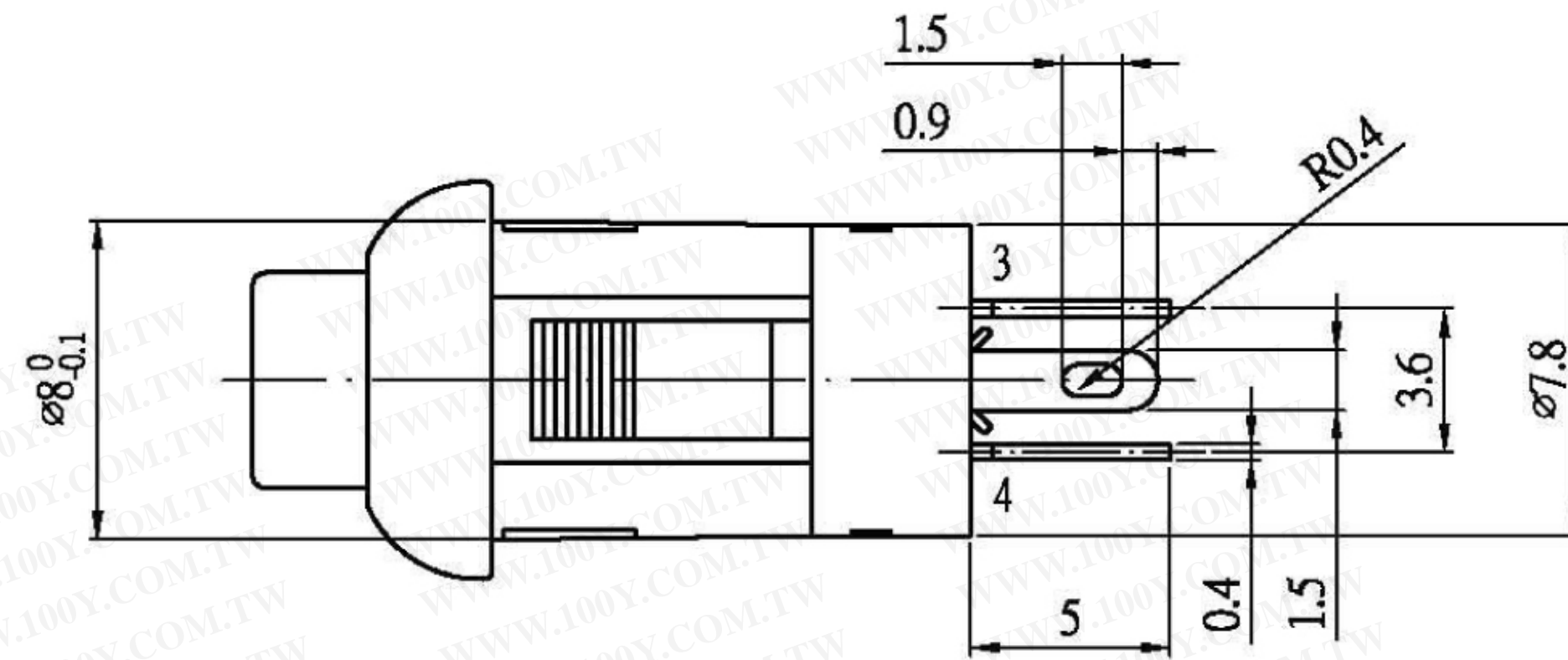


Z	D
1.0 ~ 2.0	8.0 ~ 8.2
2.0 ~ 2.5	8.2 ~ 8.4
2.5 ~ 3.0	8.4 ~ 8.6

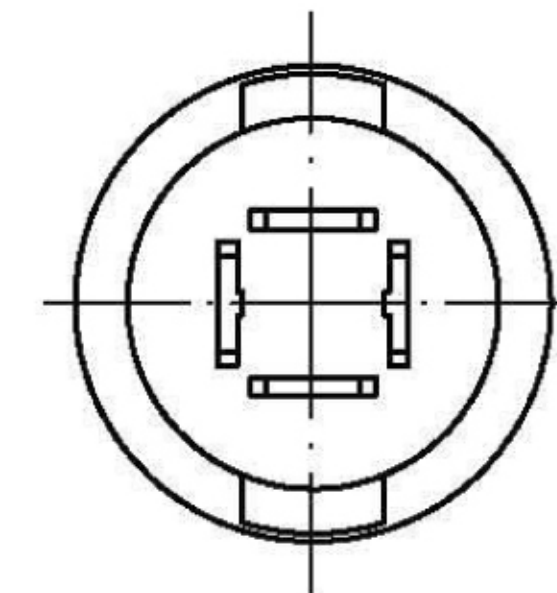
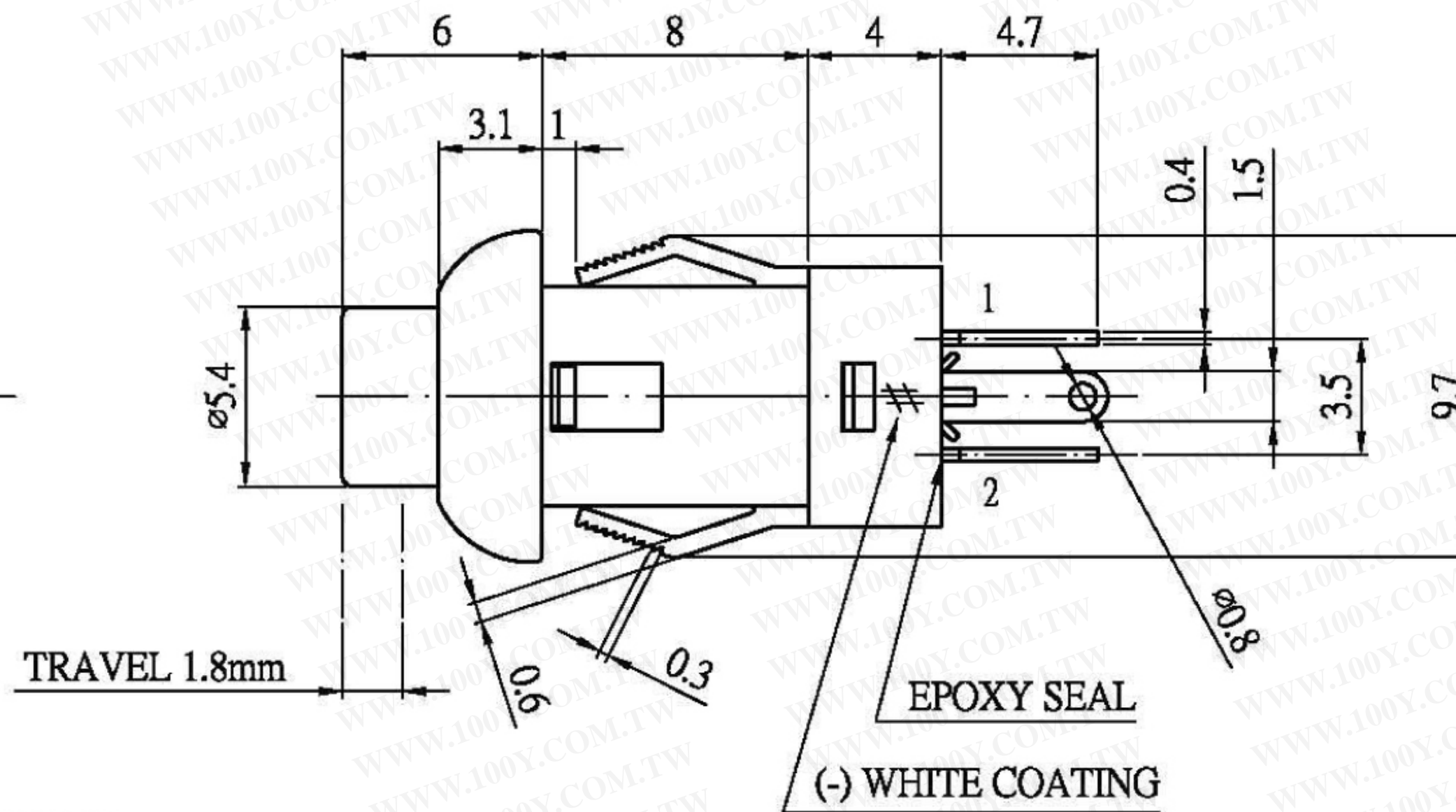
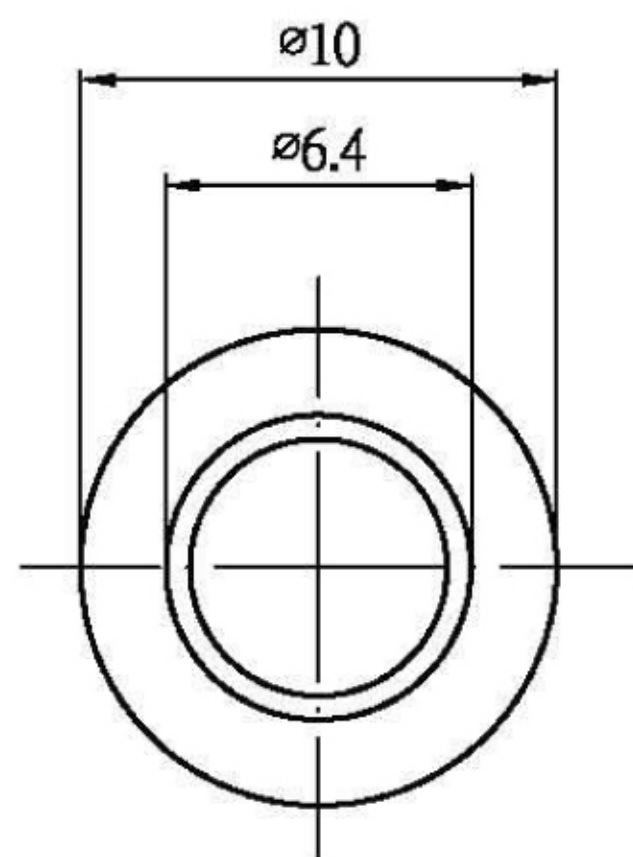
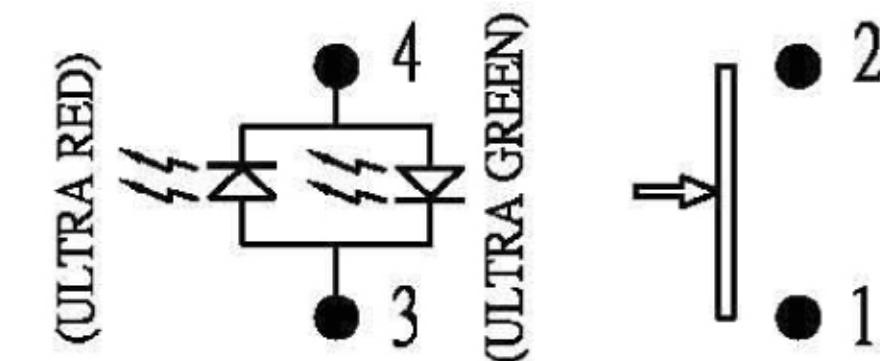
UNIT WEIGHT

- PS001 - 1.2 ± 0.05 g / pcs

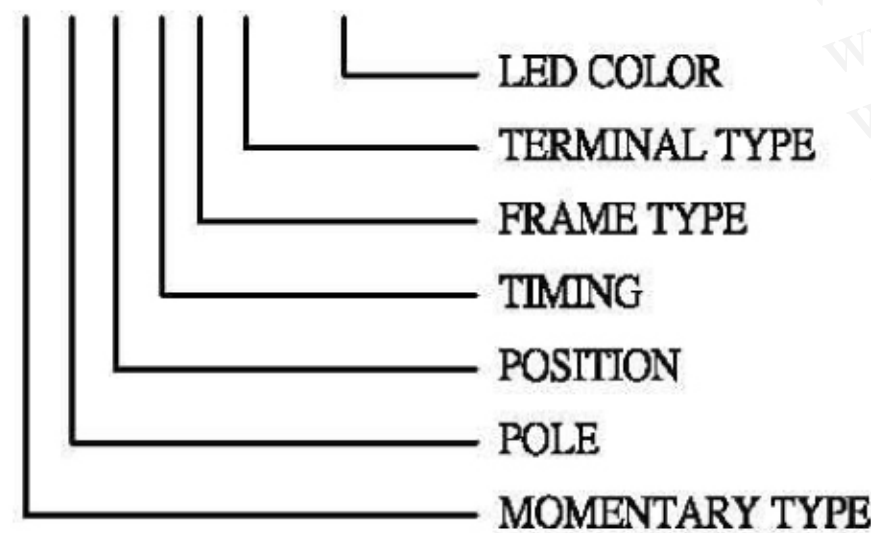
勝特力材料 886-3-5753170
 勝特力电子(上海) 86-21-34970699
 勝特力电子(深圳) 86-755-83298787
 Http://www.100y.com.tw



SCHEMATIC



PS001-N 1 1 NAWURUG



1. MODE : 1 N.O. , MOMENTARY .
2. RATING : 30 VDC , 100 mA .
3. INSULATION RESISTANCE : 500 VDC , 100MΩ .
4. OPERATION FORCE : 250 ± 100 gf .
5. OPERATION TEMPERATURE : -40°C ~ +85°C .
6. MECHANICAL LIFE : 10,000 CYCLES .

MATERIAL LIST				
PART NAME	QTY	MATERIAL	TREATMENT	REMARKS
ACTUATOR	1	PC , 94HB		WHITE DIFFUSED
HOUSING	1	PA66 , 94V0	+ GF 25%	BLACK
LED SPRING	1	STAINLESS STEEL		
LED	1	φ3mm		
MOVING CONTACT	1	BRONZE	GOLD FLASH	
SPRING	1	STAINLESS STEEL		
LED TERMINAL	2	BRONZE	GOLD FLASH	
FIXED TERMINAL	2	BRONZE	GOLD FLASH	
BASE FRAME	1	PA66 , 94V0		BLACK

DIMENSION	TOLERANCE
BELOW 10mm	±0.3
10~100mm	±0.5
ABOVE 100mm	±0.8
ANGLE	±3°

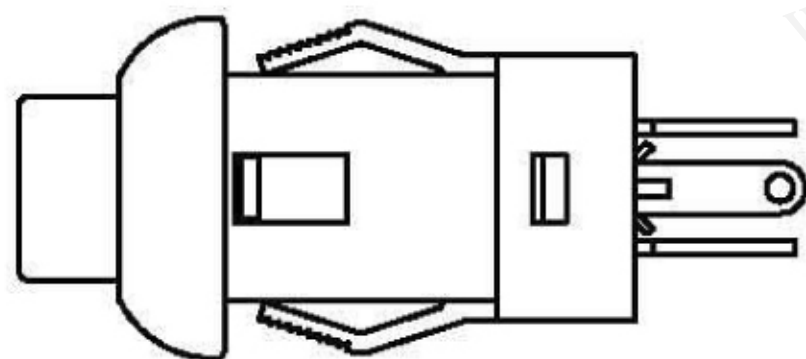
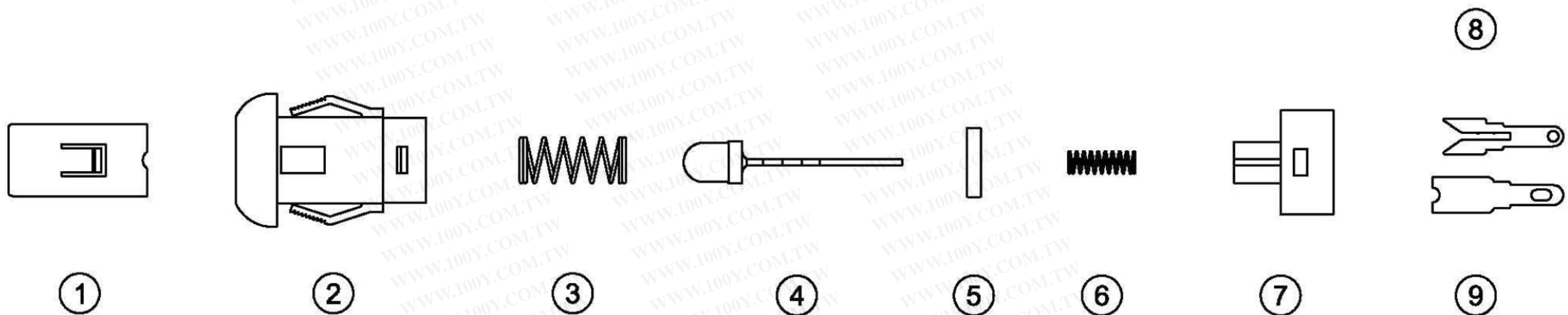
DATE	DRAWN BY	CHECKED BY	APPROVAL BY
2005/11/07	KAVEN		
UNIT:	SKIAGRAPHY:		
mm			
SYM	DATE	DESCRIPTION	REV.

TITLE:
 PS001 SERIES
 PUSH BUTTON SWITCH
 WITH LED

PART NO:	DWG NO:
PS001-N11NAWURUG	PS001-N11NAWURUG

勝特力材料 886-3-5753170
 勝特力电子(上海) 86-21-34970699
 勝特力电子(深圳) 86-755-83298787
 Http://www.100y.com.tw

DIMENSION	TOLERANCE
BELOW 10 mm	± 0.3
10~100 mm	± 0.5
ABOVE 100 mm	± 0.8
ANGLE	± 3°



NO.	PART NAME	QTY	MATERIAL	SPECIAL DEAL	RoHS REPORT No.
1	ACTUATOR	1	PC	TRANSPARENT	CSC-40220C-TO
2	FRAME	1	PA66+ GF 25%	BLACK	CE/2005/C3676
3	SPRING	1	STAINLESS STEEL		F690101/LF-CTS031174
4	LED	1		RED / GREEN	GZSCR050531525/LP ; GZSCR050531526/LP
5	MOVING CONTACT	1	BRONZE	GOLD FLASH	CE/2005/31827A ; CE/2005/10083
8	SPRING	1	STAINLESS STEEL		CE/2004/B0545
7	BASE FRAME	1	PA66	BLACK	CE/2004/C5649
8	LED TERMINAL	2	BRONZE	GOLD FLASH	CE/2005/31827A ; CE/2005/10083
9	FIXED TERMINAL	2	BRONZE	GOLD FLASH	CE/2005/31827A ; CE/2005/10083

△				DATE	2006/12/09	UNIT	mm	MODE	PUSH BUTTON SWITCH
△				APPROVAL	KAVEN	SCALE	1:1	PART	PS001-N11NAWURUG
△				CONFIRM	REBECCA	VIEW		2D FILE NAME	PS001-N11NAWURUG
	DATE	APPROVAL	DESIGN	ENGINEERING CHANGE DESCRIPTION	DESIGN	BILILY	VER.	01	3D FILE NAME