

PRONIC

SWITCHES

普尼克



PRONIC ELECTRONICS

勝特力材料 886-3-5753170
勝特力电子(上海) 86-21-34970699
勝特力电子(深圳) 86-755-83298787
[Http://www.100y.com.tw](http://www.100y.com.tw)



APPROVED

SPECIFICATION

Contact Rating :10A 125VAC 8A 250VAC ()
 :10A 125VAC 5A 250VAC ()
 :6A 250V~T85 ()
 :5A/10A 250VAC ()
 Contact Resistance :50 milliohms max.

Insulation Resistance:500 megohms min. 500VDC
 Withstand Voltage :2,000 VAC-1 minute
 Life Expectancy :10,000 Cycles
 Operating Force :600±200gf

Rocker Switches

Toggle Switches

Slide Switches

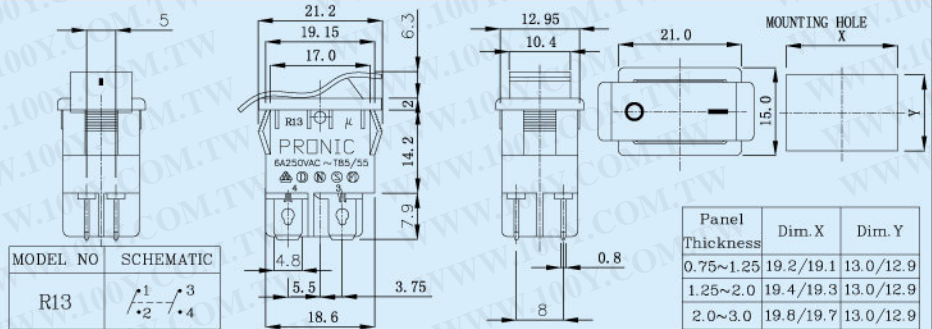
Push-Button Switches

Sockets

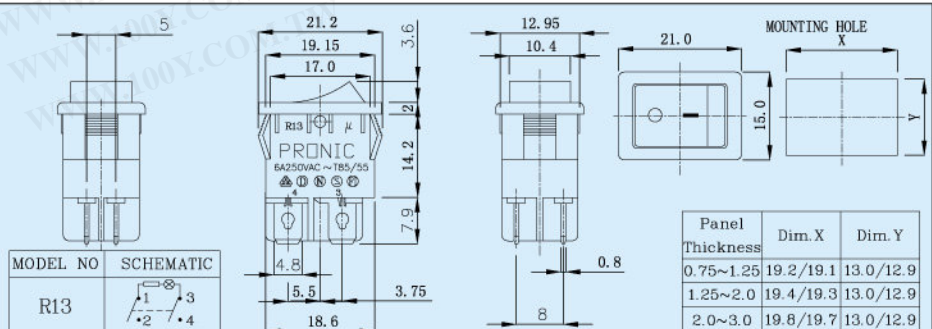
Others

SERIES SYMBOL	POLES	ACTUATOR MARKING OPTION		BASE COLOR		ACTUATOR COLOR		ACTUATOR TYPE		TERMINAL TYPE	
		CODE	LEGEND	CODE	COLOR	CODE	COLOR	CODE	TYPE	CODE	TYPE
R13	1 1 POLE	A	NONE	1	BLACK	1	BLACK	NONE		NONE	
	2 2 POLES	B	•	2	WHITE	2	WHITE	P		E	
		C	— ○	4	MISTY GREY	3	RED	W		Q	
		D	ON OFF	5	GREY	4	MISTY GREY	C		Y	
		E	○	6	LIGHT GREY	5	GREY	M		T	
		F	○	9	SNOW WHITE	6	LIGHT GREY	N		W	
		G	0 (BASE)	C	0069 RED	7	YELLOW	K		U	
		H	○ ○			8	GREEN	J		Y4	
		J	—			9	CL-RED				
		P2				A	RL透光红色				
P3		N E			B	0613 灰色					
F5	NO			C	0069 RED						
F6				D	昆山黄色						
C10	— ○ RED			W	无色透明						

R130-22C-11W


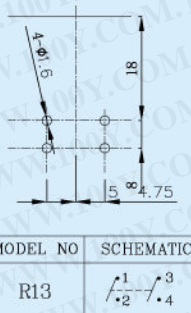
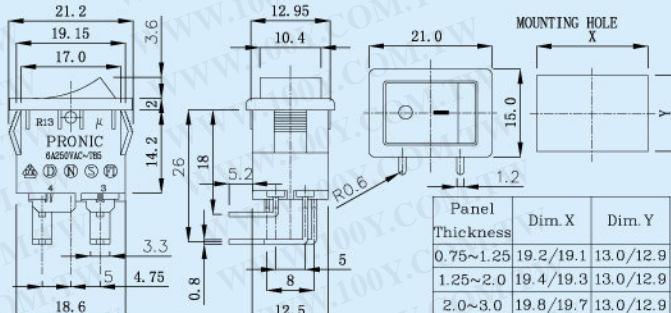


R131-22C-23P



MODEL OUTLINE DRAWING


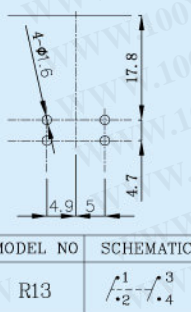
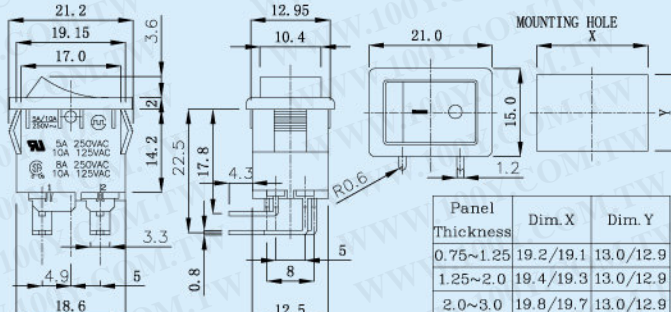
R130-22C-11PQ

MODEL NO	SCHEMATIC
R13	

Panel Thickness	Dim. X	Dim. Y
0.75~1.25	19.2/19.1	13.0/12.9
1.25~2.0	19.4/19.3	13.0/12.9
2.0~3.0	19.8/19.7	13.0/12.9


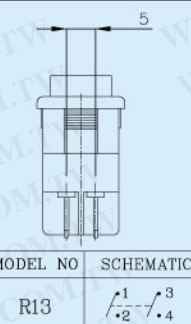
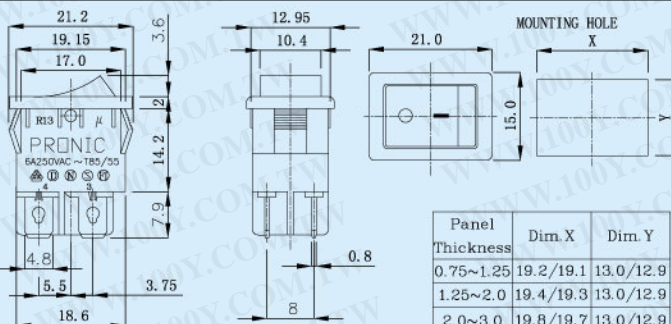
R130-22C-11PY

MODEL NO	SCHEMATIC
R13	

Panel Thickness	Dim. X	Dim. Y
0.75~1.25	19.2/19.1	13.0/12.9
1.25~2.0	19.4/19.3	13.0/12.9
2.0~3.0	19.8/19.7	13.0/12.9


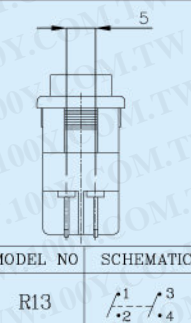
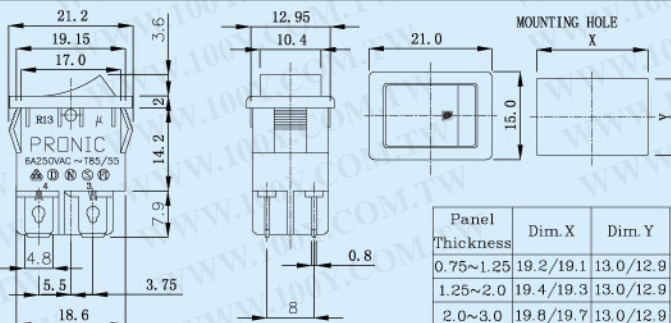
R130-22C-11P

MODEL NO	SCHEMATIC
R13	

Panel Thickness	Dim. X	Dim. Y
0.75~1.25	19.2/19.1	13.0/12.9
1.25~2.0	19.4/19.3	13.0/12.9
2.0~3.0	19.8/19.7	13.0/12.9


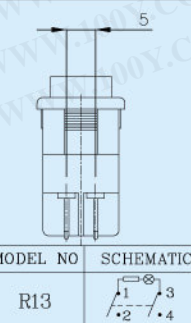
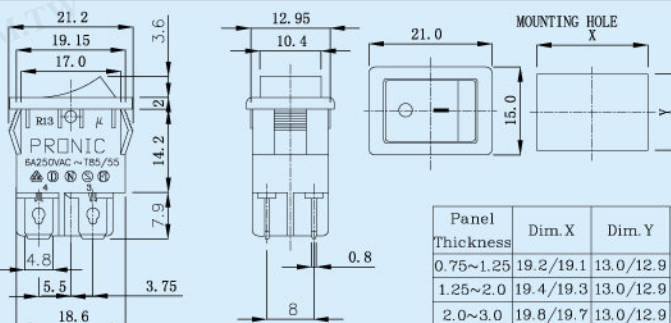
R130-22B-11P

MODEL NO	SCHEMATIC
R13	

Panel Thickness	Dim. X	Dim. Y
0.75~1.25	19.2/19.1	13.0/12.9
1.25~2.0	19.4/19.3	13.0/12.9
2.0~3.0	19.8/19.7	13.0/12.9

R131-22C-18P

MODEL NO	SCHEMATIC
R13	

Panel Thickness	Dim. X	Dim. Y
0.75~1.25	19.2/19.1	13.0/12.9
1.25~2.0	19.4/19.3	13.0/12.9
2.0~3.0	19.8/19.7	13.0/12.9

Rocker Switches

Toggle Switches

Slide Switches

Push-Button Switches

Sockets

Others

MODEL

OUTLINE DRAWING

Rocker Switches

Toggle Switches


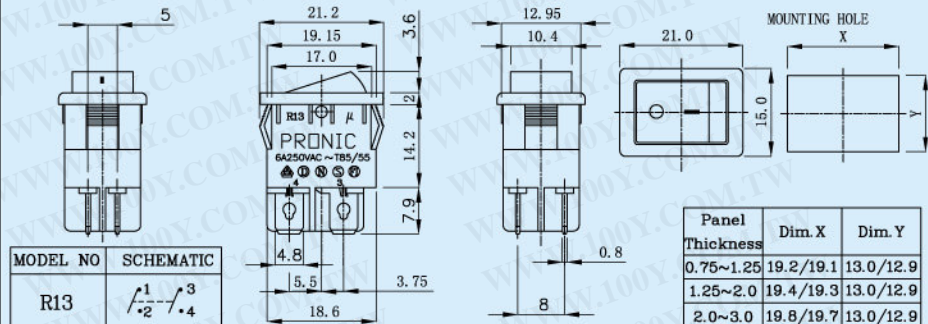
Slide Switches

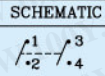
Push-Button Switches

Sockets

Others


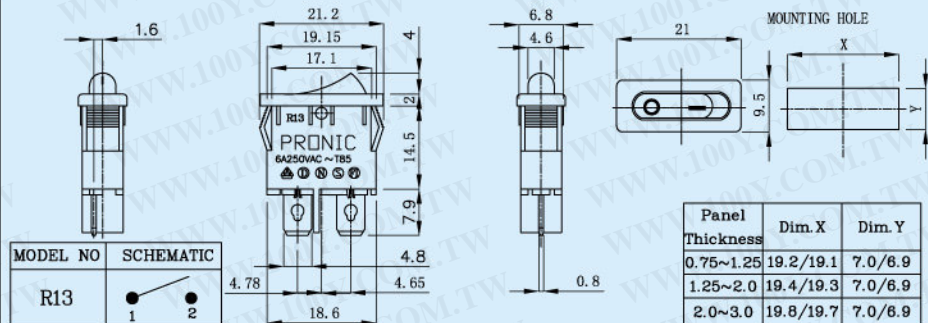
R130-22C-11

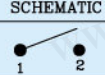



MODEL NO	SCHEMATIC
R13	

Panel Thickness	Dim. X	Dim. Y
0.75~1.25	19.2/19.1	13.0/12.9
1.25~2.0	19.4/19.3	13.0/12.9
2.0~3.0	19.8/19.7	13.0/12.9


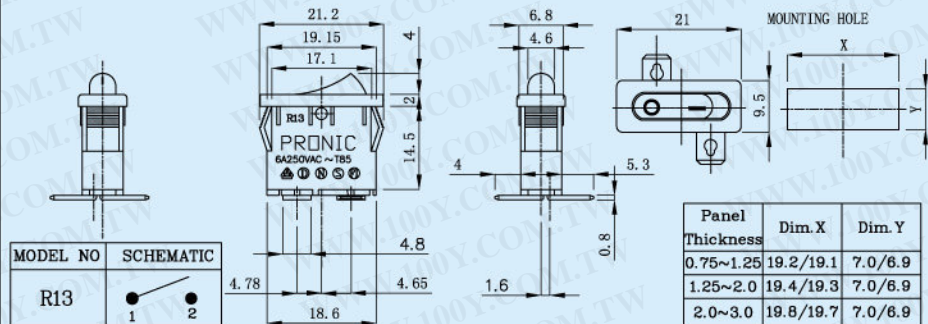
R130-12C-11M

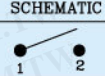



MODEL NO	SCHEMATIC
R13	

Panel Thickness	Dim. X	Dim. Y
0.75~1.25	19.2/19.1	7.0/6.9
1.25~2.0	19.4/19.3	7.0/6.9
2.0~3.0	19.8/19.7	7.0/6.9


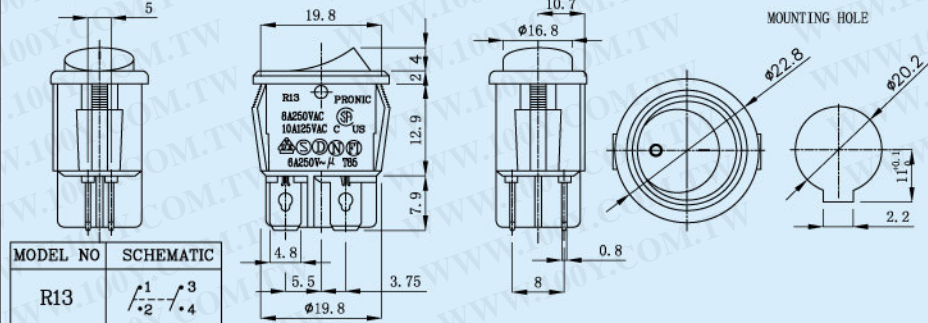
R130-12C-11MT-S

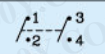



MODEL NO	SCHEMATIC
R13	

Panel Thickness	Dim. X	Dim. Y
0.75~1.25	19.2/19.1	7.0/6.9
1.25~2.0	19.4/19.3	7.0/6.9
2.0~3.0	19.8/19.7	7.0/6.9


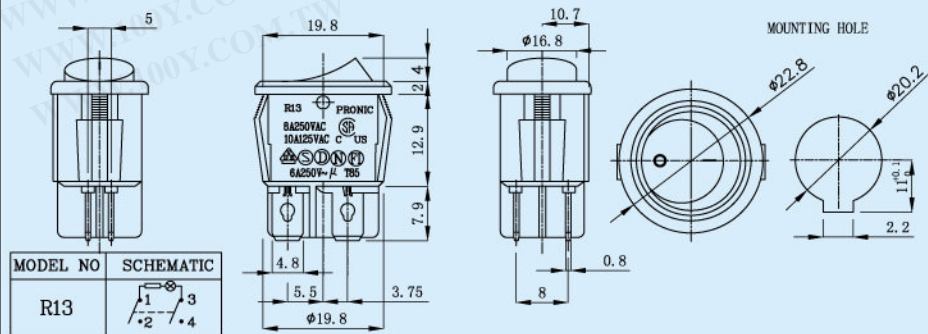
R130-22C-11C

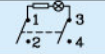



MODEL NO	SCHEMATIC
R13	

Panel Thickness	Dim. X	Dim. Y
0.75~1.25	19.2/19.1	7.0/6.9
1.25~2.0	19.4/19.3	7.0/6.9
2.0~3.0	19.8/19.7	7.0/6.9

R131-22C-13C

MODEL NO	SCHEMATIC
R13	

Panel Thickness	Dim. X	Dim. Y
0.75~1.25	19.2/19.1	7.0/6.9
1.25~2.0	19.4/19.3	7.0/6.9
2.0~3.0	19.8/19.7	7.0/6.9