



## PRODUCT SPECIFICATION

## MRA SERIES

AUDITING

APPROVAL


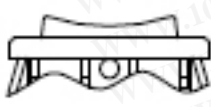

DATE

A、Modle number:

MRA	1	K	K	E	T	0	B
	1	2	3	4	5	6	7

1、Option of Switch Functions: MRA

2、Option of Switch Functions:

Item No.	Poles & Throws	Rocker position ( ):Momentary		
		Left	Center	Right
				
1	SPST	ON	NONE	OFF
2	SPDT	ON	NONE	ON

3、housing color: K: Black; W: White; G: Gray; R: Red

4、actuator color: K: Black; W: White; G: Gray; R: Red; B: Blue; M: Green

5、MARKING: reference: PE-WI-3 《marking list 》

6、terminal type: T: T pin

7、Lamp Voltage: 0: None Lamp

8、Safety Approval: E=none Safety Approval; B=2Safety Approval

勝特力材料 886-3-5753170  
 勝特力电子(上海) 86-21-34970699  
 勝特力电子(深圳) 86-755-83298787  
[Http://www.100y.com.tw](http://www.100y.com.tw)



## PRODUCT SPECIFICATION

## MRA SERIES

**B: Technical Date (UL)**

- 1、Electrical rating: 3A 125/250V AC
- 2、electrical life endurance:  $\geq 10000$ times
- 3、Contact resistance:  $< 20m\Omega$
- 4、Insulation resistance:  $> 1000M\Omega$
- 5、Dielectric strength:  $> 1500V/\text{minute}$
- 6、Temperature rise  $30^{\circ}C$
- 7、Push forces for TABS:  $\geq 2.5Kg$
- 8、Pull forces for TABS:  $\geq 5Kg$
- 9、Operating force:  $450g \pm 100g$
- 10、Forces for Button:  $\geq 3Kg$
- 11、Horizontal direction forces for TABS:  $\geq 1.5Kg$

**C: Technical Date (VDE)**

- 1、Electrical rating: 3A 250V AC
- 2、electrical life endurance  $\geq 10000$ times
- 3、Contact resistance:  $< 20m\Omega$
- 4、Insulation resistancemore  $> 1000M\Omega$
- 5、high voltage resistanc:  $> 1250V/\text{minute}$
- 6、temperature rise  $55^{\circ}C$
- 7、Push forces for TABS:  $\geq 2.5Kg$
- 8、Pull forces for TABS:  $\geq 5Kg$
- 9、Operating force:  $450g \pm 100g$
- 10、Forces for Button:  $\geq 3Kg$
- 11、Horizontal direction forces for TABS:  $\geq 1.5Kg$

1、All dimensions in mm [ Inch ]

2、General tolerance :  $>10\pm 0.4$   
 $<10\pm 0.25$

3、Electrical rating : 3A 250VAC & 3A 125VAC

4、Contact resistance : 20mΩ(initial)

5、Insulation resistance : 1000MΩ(500DC between open contacts)

6、Dielectric strength :  $>1500V$  1 minute

7、Mechanical life :  $>30000$  cycles

8、Electrical life :  $>10000$  cycles

9、Temperature rise at the terminal : Max.30°C

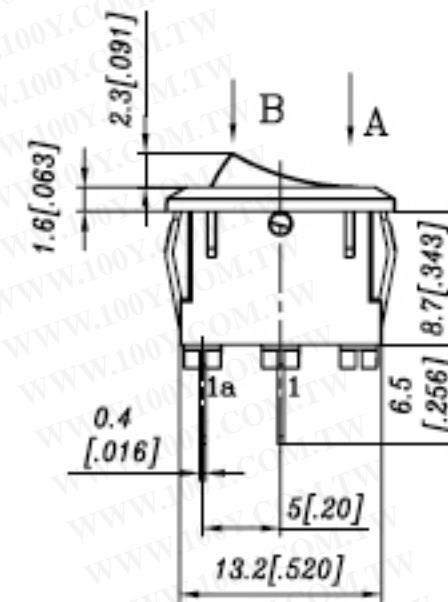
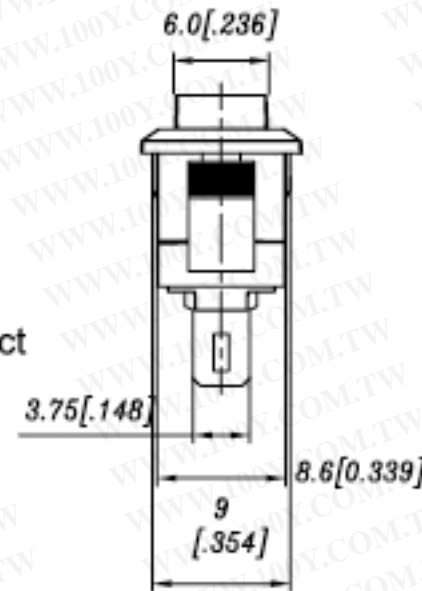
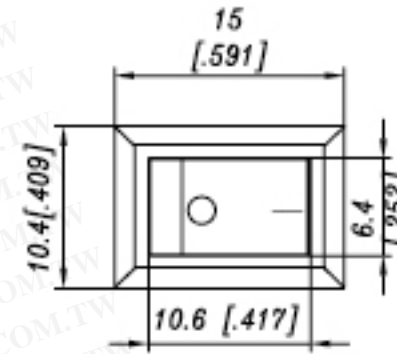
10、Solder ability of terminal : Max350°C, 3S(no pressure may be placed in the terminals when soldering by hand)

11、Any Cd Pb Hg etc and it's compounds is not include in this product



CIRCUIT SPST

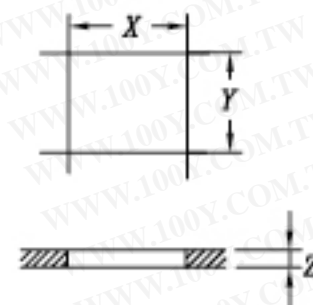
勝特力材料 886-3-5753170  
 勝特力电子(上海) 86-21-34970699  
 勝特力电子(深圳) 86-755-83298787  
[Http://www.100y.com.tw](http://www.100y.com.tw)



Color	Housing	Actuare
K(Black)	✓	✓
W(White)		
R(Red)		
G(Gray)		
O(Orange)		
B(Blue)		
Y(III. Yellow)		
M(III. Green)		
F(III. Blue)		
T(III. White)		

POLE FUNCTION	OPTIONS OF FUNCTION		
	A	—	B
SPST	1-1a	—	OFF

PANEL OUT-CUT		
Z	Y	X
0.7~1.25 [.028~.049]	9.1~9.2 [.358~.362]	13.6~13.8 [.535~.543]
1.25~2.0 [.049~.079]	9.1~9.2 [.358~.362]	13.8~14.0 [.543~.551]
2.0~3.0 [.079~.118]	9.1~9.2 [.358~.362]	14.0~14.1 [.551~.555]



A	B	C	D	E	F	G	H	I
					✓			

\* We keep the right to alter the dimension without notice.

Part No.	MRA1KKFT0B							
Dwg. NO.	MRA1-61128							
Series NO.	MRA	Drawing	lizhili	Auditing	wangchangjian			
Dwg Name	Specification	Scale	2:1	Date		Page		