



Feature

- High Bright LED illumination
- Long life
- Good Actuation Feeling

Applications

- Communication Equipments, Instrumentation

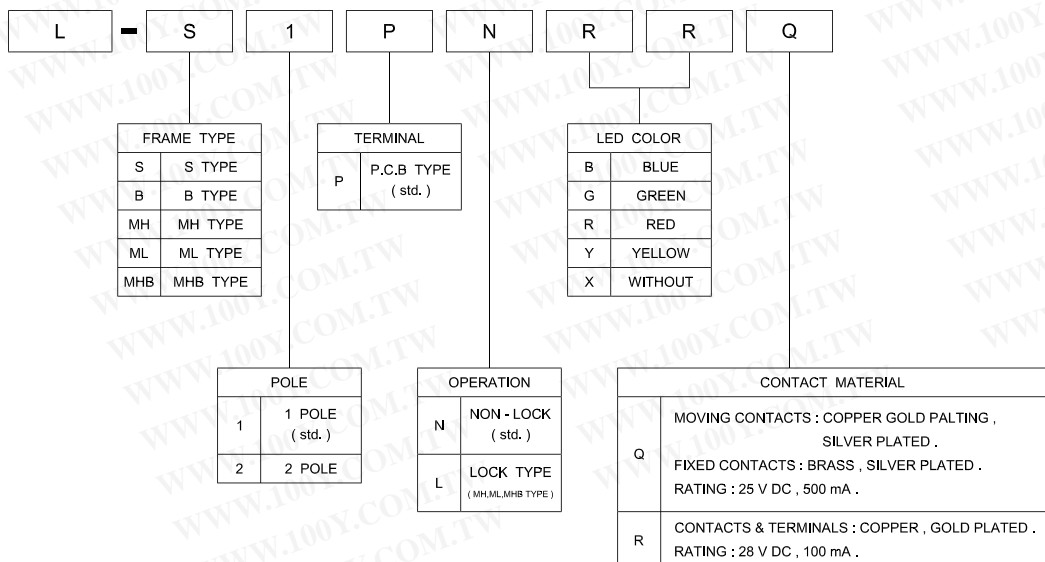
SPECIFICATIONS

SWITCH SPECIFICATIONS	
POLE - POSITION	ON - < ON > for Momentary Type , ON - ON for Self - Lock Type SPDT , DPDT
CONTACT RATING	SEE CONTACT MATERIAL
CONTACT RESISTANCE	50 mΩ max . (SILVER CONTACT) ; 100 mΩ max . (GOLD PLATING CONTACT) , 1.5 V DC ; 100 mA , by Method of Voltage DROP
INSULATION RESISTANCE	100 MΩ min . 500 V DC
DIELECTRIC STRENGTH	Breakdown is not Allowable ; 1000 V AC for 1 Minute
OPERATING FORCE	200 ± 100 gf (SPDT) 300 ± 150 gf (DPDT)
OPERATING LIFE	10,000 cycles (SILVER CONTACT) 200,000 cycles (GOLD PLATING CONTACT)
OPERATING TEMPERATURE RANGE	-20°C ~ 70°C
TOTAL TRAVEL	2.2 ± 0.2 mm

LED SPECIFICATIONS					
	ATTENTION	Unit	Value / LED Color		
			Green	Red	
FORWARD CURRENT	(+) (−) LEDs are Electrostatic Sensitive devices	If	mA	30	15
REVERSE VOLTAGE		Vr	V	5.0	5.0
REVERSE CURRENT		Ir	μA	10	10
FORWARD VOLTAGE@20mA		Vf	V	1.7-2.6	1.7-2.6
LUMINOUS INTENSITY@20mA		Iv	mcd	6	4

- Physical and electrical information of LED will be provided upon customer's request on switches.

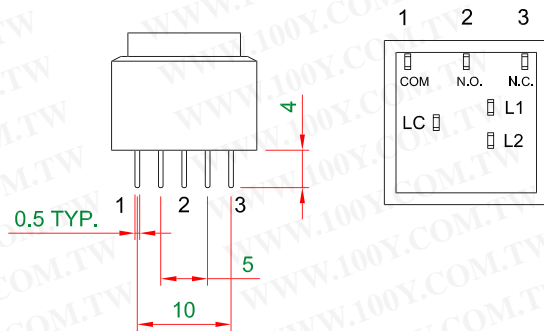
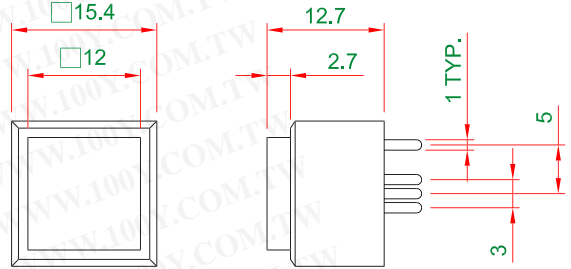
HOW TO ORDER



DIMENSION & FRAME TYPE



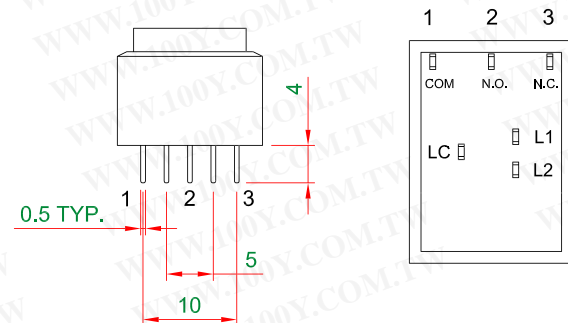
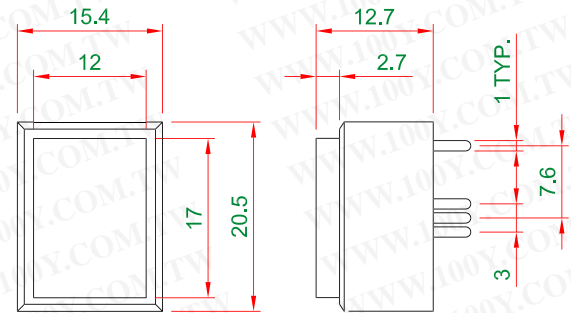
L - S1PN □ □ Q



DIMENSION & FRAME TYPE



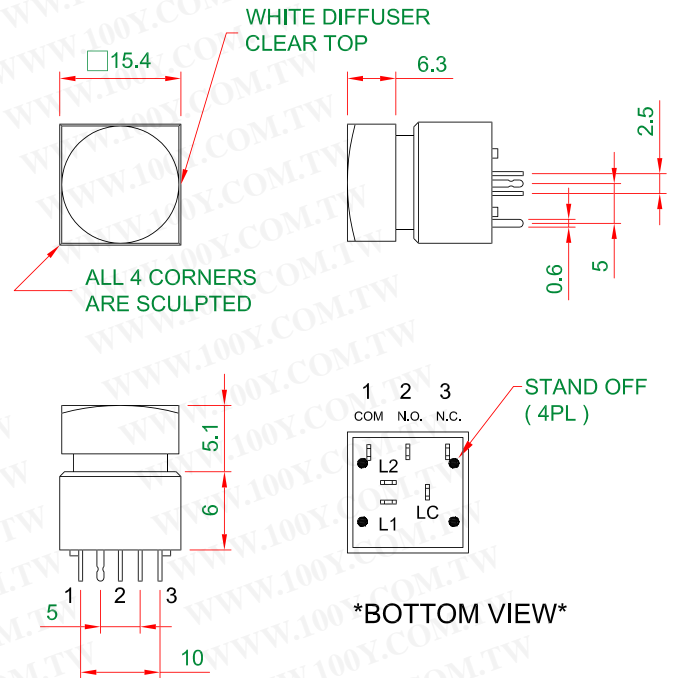
L - B1PN □ □ Q



DIMENSION & FRAME TYPE



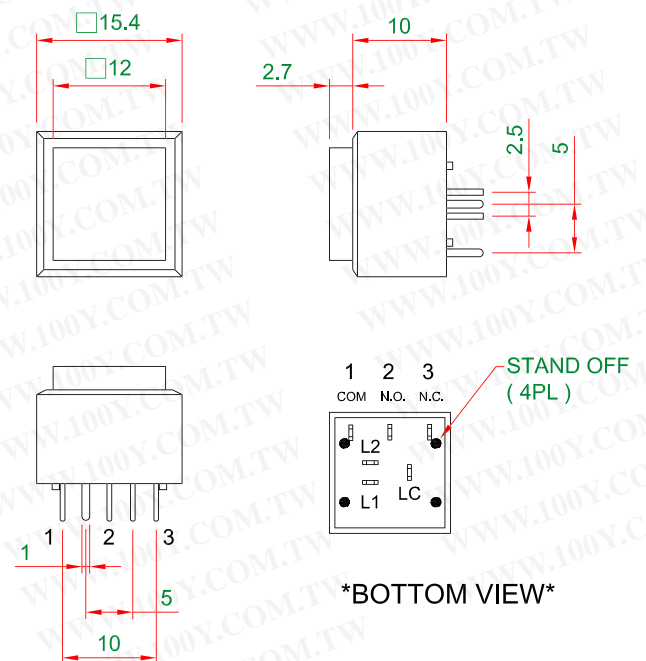
L - MH1PN □ □ Q



DIMENSION & FRAME TYPE



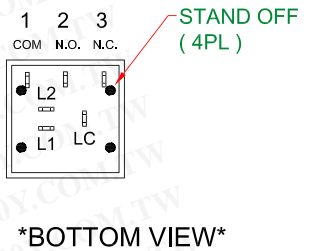
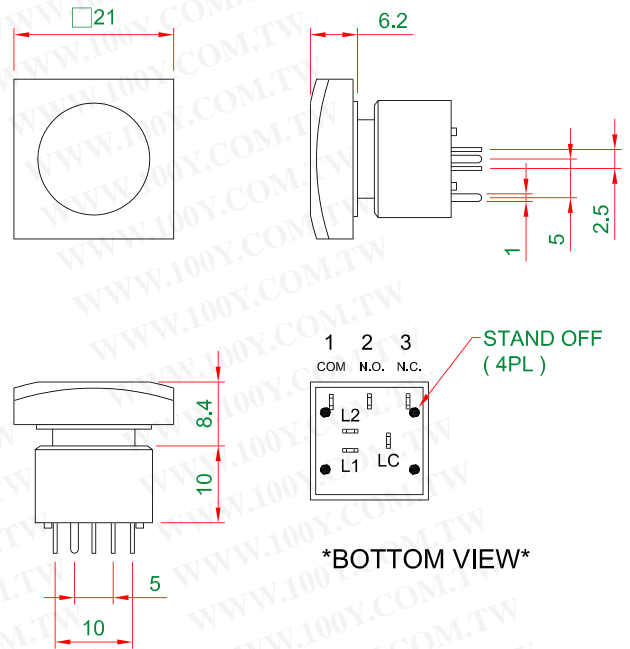
L - ML1PN □ □ Q



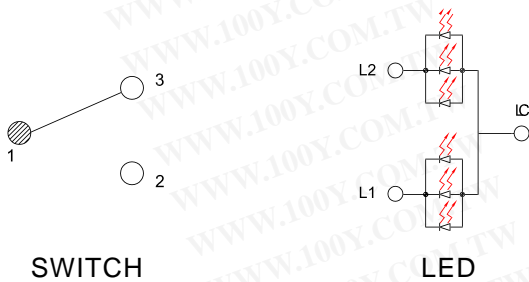
DIMENSION & FRAME TYPE



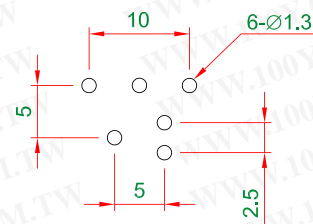
L - MHB1PN □ □ Q



SCHEMATIC



P.C.B LAYOUT

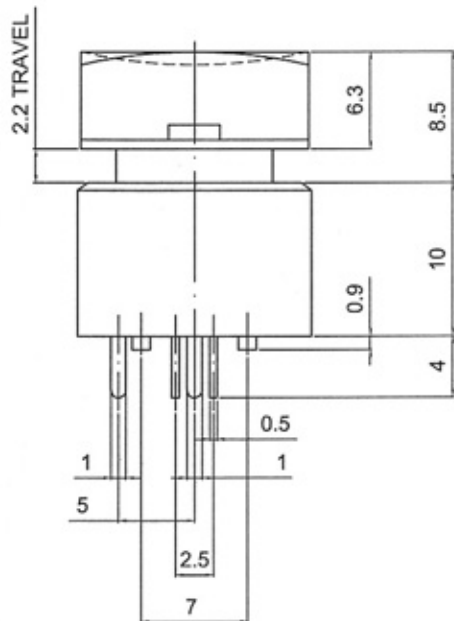
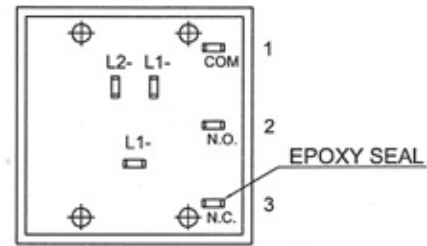
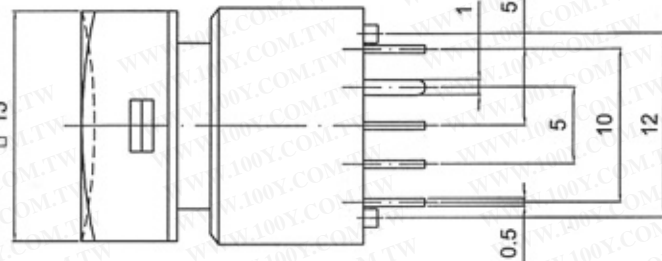
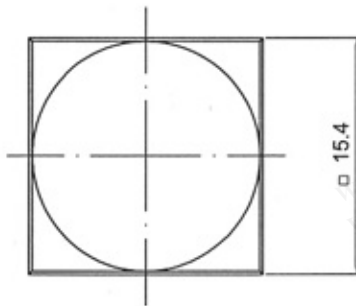


MATERIAL

- COVER - PC
- ACTUATOR - POM
- BASE FRAME - PA + GF
- TERMINAL - BRASS SILVER PLATING ;
BRASS GOLD PLATED

UNIT WEIGHT

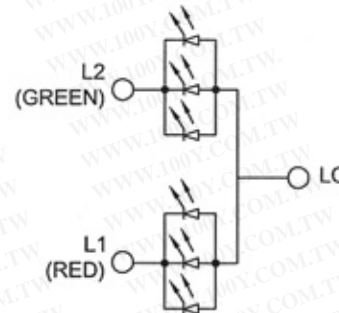
- L - S1PN □ □ Q : 2.5 ± 0.05 g / pcs
- L - B1PN □ □ Q : 3.0 ± 0.05 g / pcs
- L - MH1PN □ □ Q : 3.4 ± 0.05 g / pcs
- L - ML1PN □ □ Q : 2.5 ± 0.05 g / pcs
- L - MHB1PN □ □ Q : 4.0 ± 0.05 g / pcs



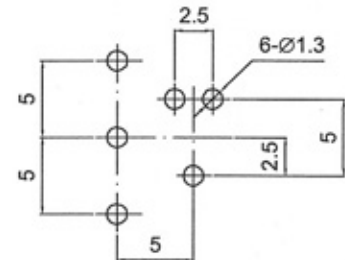
SW SCHEMATIC



LED SCHEMATIC



P.C.B. LAYOUT



1. RATING : 0.5A , 100V AC ; 0.2A , 250V AC ; 0.5A , 25V DC .
2. CONTACT RESISTANCE : SILVER CONTACT : 50 mΩ MAX .
3. INSULATION RESISTANCE : 500 V DC , 100 MΩ MIN .
4. OPERATING TEMPERATURE : -20°C ~ 70°C .
5. OPERATING FORCE : 200±100 gf . (1P2T)
6. OPERATING LIFE : 10,000 CYCLES .

勝特力材料 886-3-5753170
 勝特力电子(上海) 86-21-34970699
 勝特力电子(深圳) 86-755-83298787
[Http://www.100y.com.tw](http://www.100y.com.tw)

DIMENSION	TOLERANCE
BELOW 10mm	±0.3
10~100mm	±0.5
ABOVE 100mm	±0.8
ANGLE	±3°

△				DATE	DRAWN BY	CHECKED BY	APPROVAL BY	TITLE:	PART NO:	DWG NO:
△				2004/09/07	KAVEN			L SERIES PUSH BUTTON SWITCH LED	L-MH1PN__Q	
△				UNIT:	SKIAGRAPHY:					
SYM	DATE	DESCRIPTION	REV.	mm						