

Honeywell

勝特力材料 886-3-5753170
 勝特力电子(上海) 86-21-34970699
 勝特力电子(深圳) 86-755-83298787
 Http://www.100y.com.tw



VX10-B1

VX Series Solid State Basic Switch with simulated roller; output normally off

Features

Representative photograph, actual product appearance may vary.

Due to regional agency approval requirements, some products may not be available in your area. Please contact your regional Honeywell office regarding your product of choice.

- Plunger operated non-contact digital output
- Low force operation
- Direct interface to solid state circuits
- Reverse voltage protection
- Rugged construction
- Tested to over 100 million operations
- Wide variety of standard levers and actuators available
- Lever external to switch body
- Industry standard mounting holes
- No external terminals - uses standard keyed and locking plug-in connectors
- UL recognized, CSA certified
- Plunger is acetal copolymer. Housing is PBT polyester.

Honeywell

VX10-B1

VX Series Solid State Basic Switch with simulated roller; output normally off

Product Specifications

Product Type	Hall-Effect Basic Switch
Transistor State	Normally Off
Lever Style	Simulated Roller
Package Style	V Switch
Supply Voltage	4.5 Vdc to 24.0 Vdc
Output Type	Sink
Operating Temperature Range	-40 °C to 70 °C [-40 °F to 158 °F]
Optional Accessory	VXA-01 (Assembled Connector)
Availability	Global
Operating Force	0,06 N [0.20 oz]
Supply Current (max. @ 25 °C)	15 mA
Output Current (max.)	10 mA

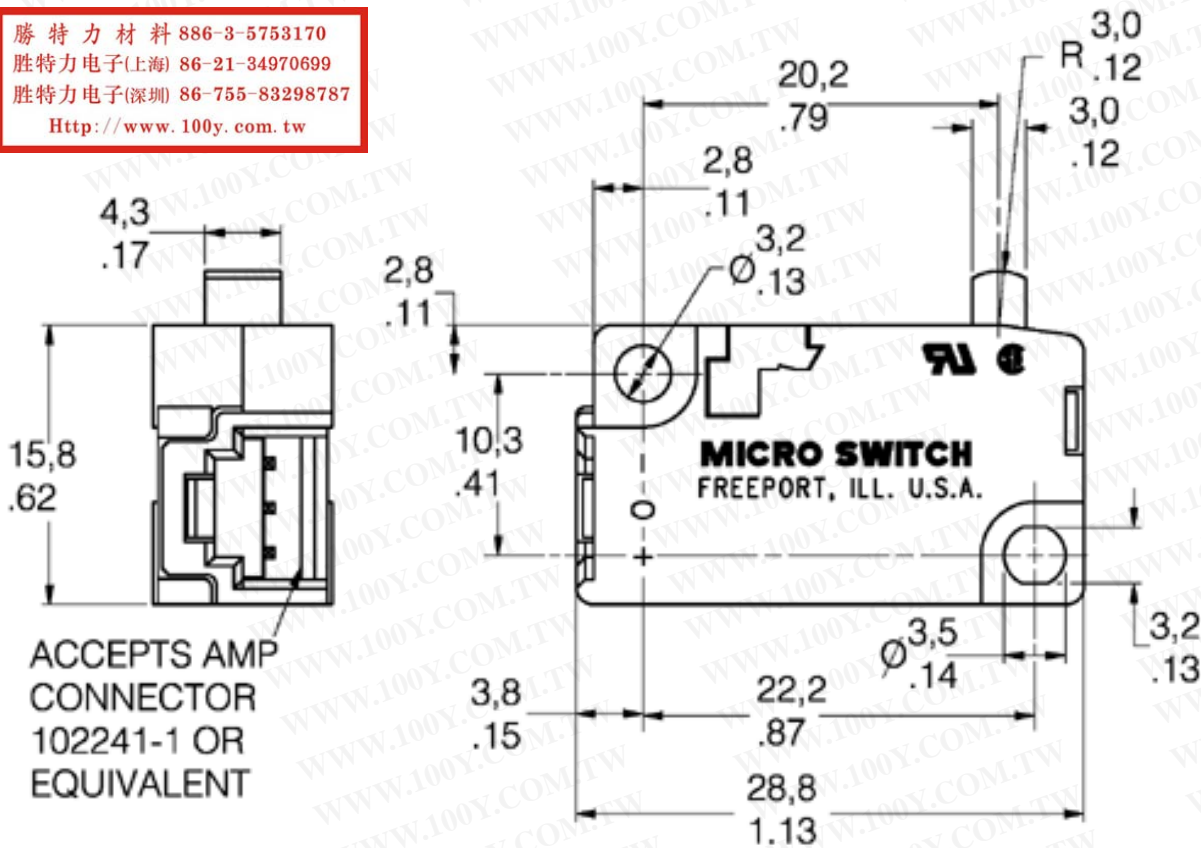
Lever Actuation Point	32,6 mm [1.285 in]
Pretravel (PT) max.	5,21 mm [0.205 in]
Overtravel (OT) min.	1,91 mm [0.075 in]
Operating Position (OP)	18,52 mm [0.729 in]
Series Name	VX Series
Differential (DT) max.	0,64 mm [0.025 in]



VX10-B1

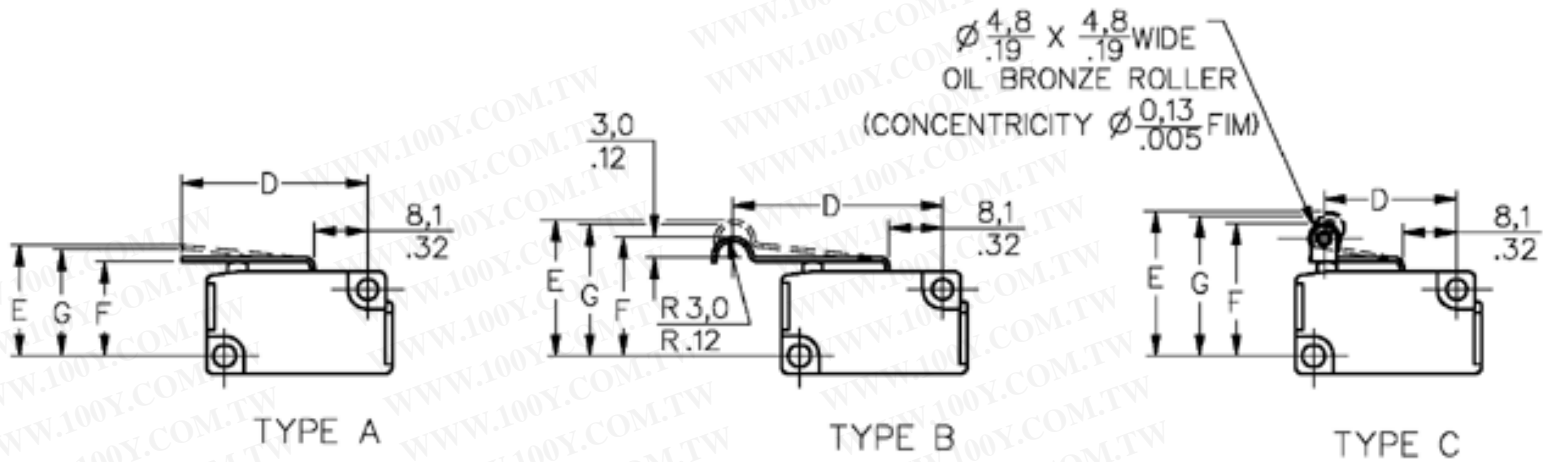
VX Series Solid State Basic Switch with simulated roller; output normally off

勝特力材料 886-3-5753170
 勝特力电子(上海) 86-21-34970699
 勝特力电子(深圳) 86-755-83298787
[Http://www.100y.com.tw](http://www.100y.com.tw)



VX10-B1

VX Series Solid State Basic Switch with simulated roller; output normally off



勝特力材料 886-3-5753170
 勝特力电子(上海) 86-21-34970699
 勝特力电子(深圳) 86-755-83298787
[Http://www.100y.com.tw](http://www.100y.com.tw)



VX10-B1

VX Series Solid State Basic Switch with simulated roller; output normally off

⚠ WARNING

PERSONAL INJURY

DO NOT USE these products as safety or emergency stop devices, or in any other application where failure of the product could result in personal injury.

Failure to comply with these instructions could result in death or serious injury.

⚠ WARNING

MISUSE OF DOCUMENTATION

- The information presented in this product sheet (or catalog) is for reference only. DO NOT USE this document as product installation information.
- Complete installation, operation and maintenance information is provided in the instructions supplied with each product.

Failure to comply with these instructions could result in death or serious injury.