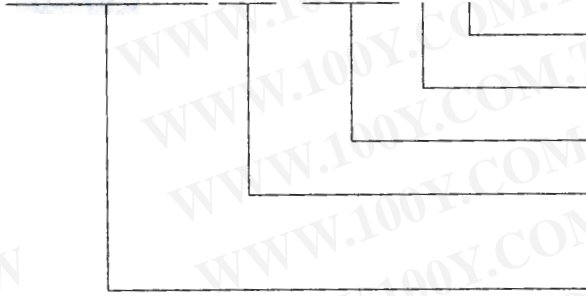


D16PLT1 -000 Special type



: Lens color
 : Lamps
 000: Standard
 T1 : Rectangular
 standard edge
 D16PL : Type

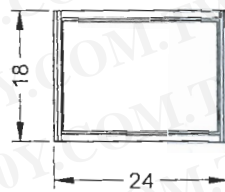
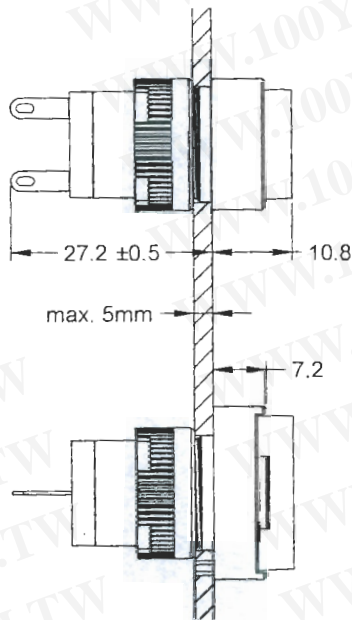
B : Blue
 G : Green
 O : Orange
 R : Red
 W : White
 Y : Yellow

M : Incandescent 6V
 AC/DC 40mA
 N : Incandescent 14V
 AC/DC 40mA
 L : Incandescent 33V
 AC/DC 35mA
 D : Incandescent 48V
 AC/DC 25mA
 E : Incandescent 60V
 AC/DC 20mA

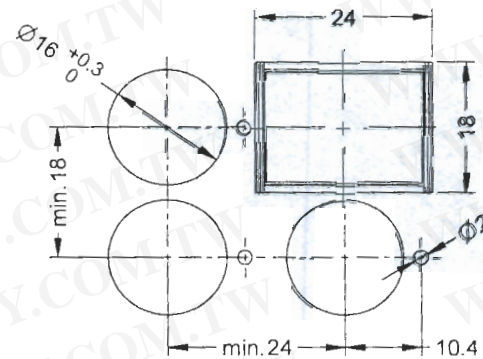
勝特力材料 886-3-5753170
 勝特力电子(上海) 86-21-34970699
 勝特力电子(深圳) 86-755-83298787
[Http://www.100y.com.tw](http://www.100y.com.tw)

Indicator

All materials are according to RoHS.



Hole Dia



Product Specifications

- Panel thickness : 0.5mm ~ 5mm
- Degree of protection : IP 40
- Storage temperature : -40°C to +85°C
- Operating temperature : -25°C to +55°C

Bottom View

Electrical Diagram

文件管制
 96.10.15
 文管中心



a - (L) - b (+)

DECA[®] Switchlab INC.

CONFIRMED & ACCEPTED BY:

DRAWING NO.	D16PLxx-000xx	VERSION	A	CONFIRMED BY	<i>Whidomk</i>
SHEET OF	1/1	METRIC	M M	DRAWN BY	<i>fuji</i>
		DATE	2007/10/12	GENERAL MANAGER	<i>fuji</i>