

2.5mm-travel Large-sized Horizontal Type SPUN Series



勝特力材料 886-3-5753170
 勝特力电子(上海) 86-21-34970699
 勝特力电子(深圳) 86-755-83298787
[Http://www.100y.com.tw](http://www.100y.com.tw)

Part number	SPUN191400
-------------	------------

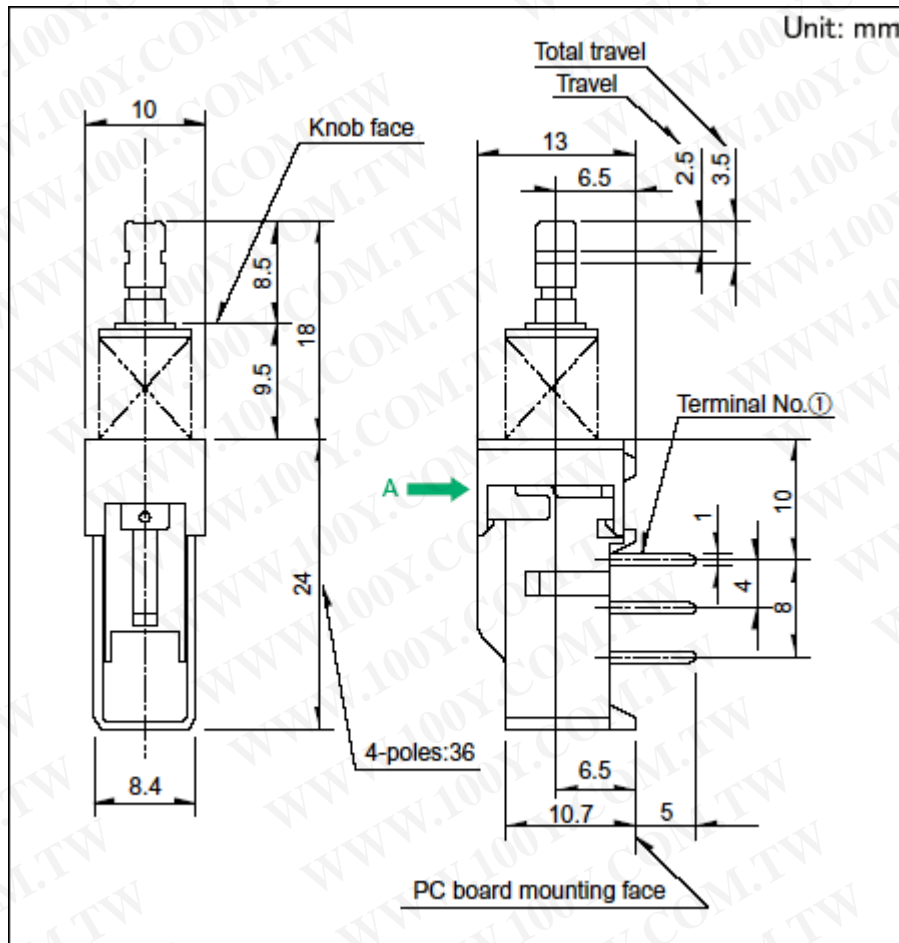
Changeover timing	Non shorting
Travel	2.5mm
Total travel	3.5mm
Rating	Standard
Operating force	2±1N
Mounting method	PC board
Poles	2
Operation	Latching
Terminal type	Straight
Minimum order unit (pcs.)	1,250

Operating temperature range	-10°C to +60°C
Rating (max.)/(min.) (Resistive load)	0.1A 30V DC/50μA

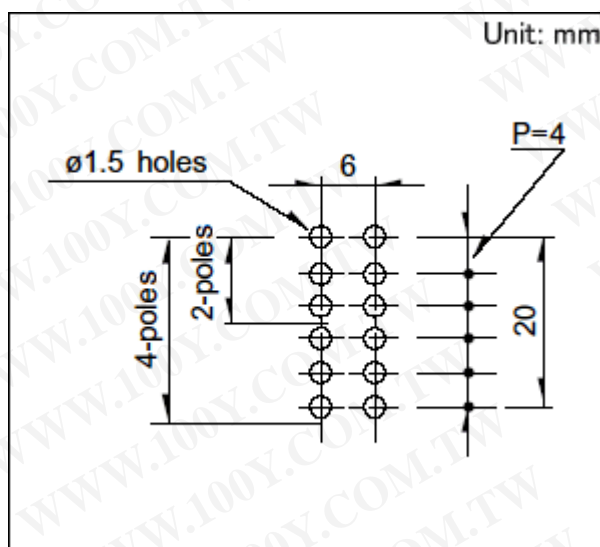
			3V DC
Electrical performance	Contact resistance (Initial performance/After lifetime)		20mΩ max. /40mΩ max.
	Insulation resistance		100MΩ min. 500V DC
	Voltage proof		500V AC for 1 minute
Mechanical performance	Terminal strength		5N for 1 minute
	Actuator strength	Operating direction	50N
		Pulling direction	50N
Resistance to soldering heat	Manual soldering		350±10°C, 3(+1, 0)s
	Dip soldering		260±5°C, 10±1s
Durability	Operating life without load		30,000 cycles 40mΩ max.
	Operating life with load (Load: as ratings)		10,000 cycles 40mΩ max.
Environmental performance	Cold		-20±2°C for 96h
	Dry heat		85±2°C for 96h
	Damp heat		40±2°C, 90 to 95%RH for 96h

3D CAD (STEP)	—
Certificate of Compliance to RoHS regulations	—

Dimensions

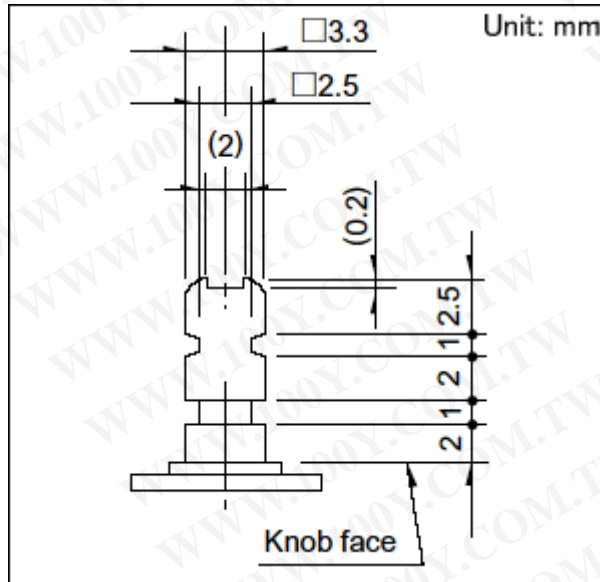


• Mounting Hole Dimensions

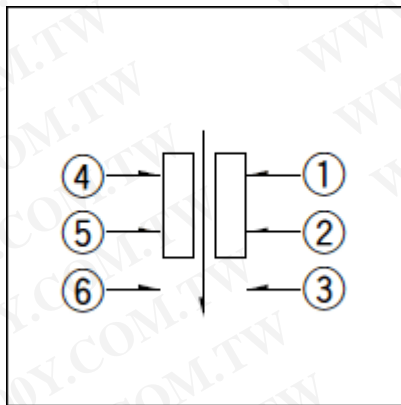


Viewed from direction A in the dimensions.

• Actuator Configuration at Front Edge



• Circuit Diagram



• Packing Specifications

Bulk

Number of packages (pcs.)	1 case / Japan	250
	1 case / export packing	1, 250
Export package measurements (mm)	400×270×290	